



JOB NAME:

CAT#:

TYPE:

APPLICATIONS

This High Output Multi-Function LED strip offers a family of three different strips to meet a variety of applications in warehouses, retail and utility areas. Available in a cost effective and high output open strip version, a specially designed LED frosted lens version, and a narrow focused reflector version. Each version is ideal for different applications and together make a perfect family of products for many industrial and back of house commercial applications. These fixtures can be surface or pendant mounted. Driver box hinges open for easy access to the driver without removing the lens or reflector. Consult for different finishes and different sizes.

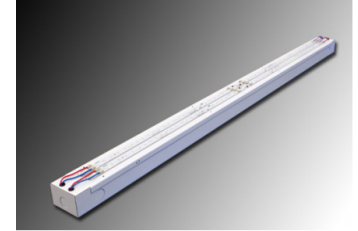
Housing is die-formed and embossed code 22 gauge steel. Finish is high reflectance baked white enamel. Wiring knockouts are provided on back and end of housing. Ballast cover, reflector or lens attach without tools with hinged construction to simplify ballast access.

FEATURES & BENEFITS

- Five years warranty
- $L_{70} > 50,000$ hrs.
- Min CRI 80
- Surface mount, chain hung, double stem
- Size: 48"L x 2.925"W x 1.778"H
- cETL_{US} Listed



Narrow Reflector



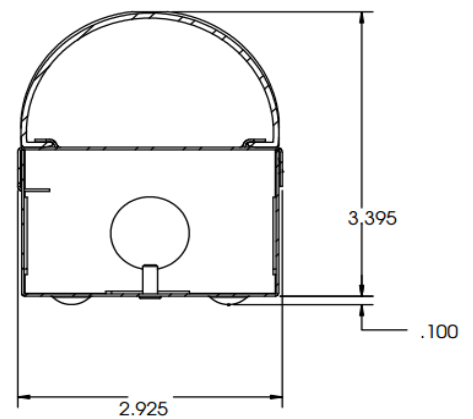
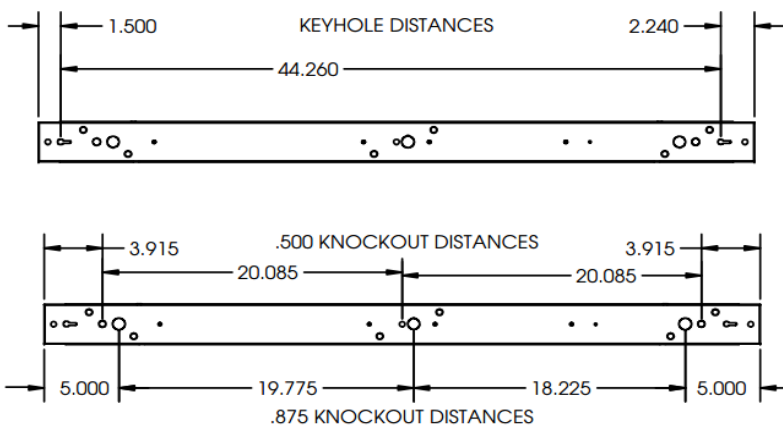
Open Strip



Frosted Lens

DIMENSIONS

Lens



Dimensions and specifications subject to change without notice.





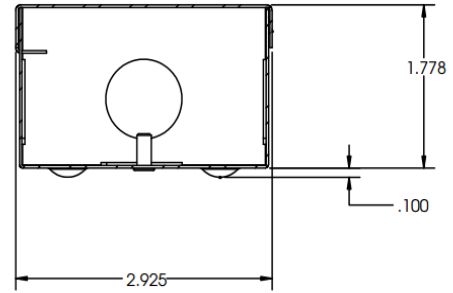
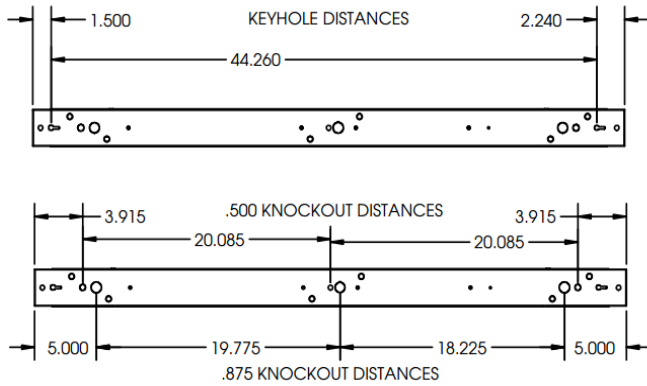
JOB NAME:

CAT#:

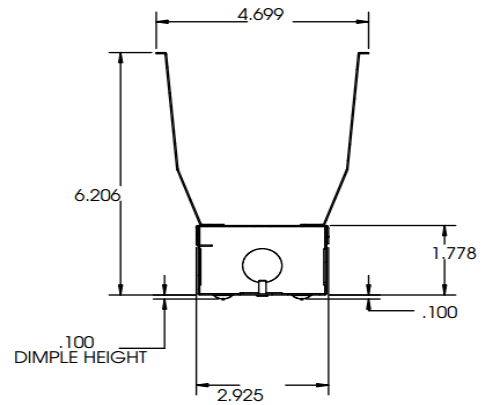
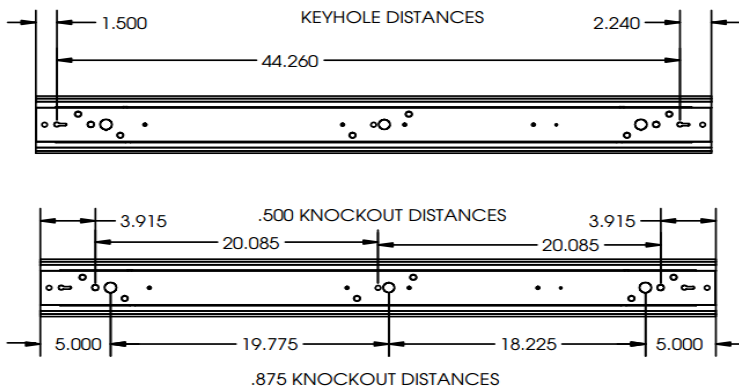
TYPE:

DIMENSIONS

Open Strip



Reflector



Dimensions and specifications subject to change without notice.





JOB NAME:

CAT#:

TYPE:

ORDERING

EXAMPLE: MRRS 48 LED 28 DMV WH 30 EM

MRRS		LED									
1. SERIES	2. LENGTH	3. GEAR	4. WATTAGE/LUMENS			5. DRIVER		6. FINISH		7. LENS	
MRRS	48 48" 96 96"	LED	48"			DMV	120-277V Multivolt 0-10V Dimmable	WH	White	Blank	No Lens
			28	28 Watts	2700 Lumens	SDMV	Step dimming Multivolt	BN	Brushed Nickel	FR	Frosted Lens
			48	48 Watts	4600 Lumens			BK	Black		
			57	57 Watts	5400 Lumens			BZ	Bronze		
			96"			DHV	347-480VAC 0-10V Dimming				
			57	57 Watts	5400 Lumens	D347V	347VAC 0-10V Dimming				
			96	96 Watts	9200 Lumens						
			114	114 Watts	10800 Lumens	TDMV	Triac Dimming 120-277VAC				
						D120	Triac Dimming 120VAC				
						D277	Triac Dimming 277VAC				

8. COLOR TEMP		9. EMERGENCY(O) ¹		10. REFLECTOR ² (O) ¹	
30	3000K	EM	10W ~1200 Lumen Battery backup	Blank	No Reflector
35	3500K			XWN	White Narrow Reflector
40	4000K				
50	5000K				

*Lens and reflector are not available together

ACCESSORIES

- A-HC301WH** Cable kit with 4 cable + power feed cable incl. with white canopy
- A-HC302WH** Cable kit with 12' cable + power feed cable incl. with white canopy
- A-HC3015WWH** Cable kit with 4' cable + power feed 0-10V dimming cable included with white canopy (5 wire)
- A-HC3025WWH** Cable kit with 12' cable + power feed 0-10V dimming. Cable included with white canopy (5 wire)
- A-2SCS24WH** Two Stem kits with 24" Stem, Canopy and Mounting hardware for a 4' fixture
- AC120- TOGGLE-2PK** Aircraft cable & toggle set - 10ft

Lumens are subject to a tolerance of ±10% and not relevant to RGB
 Input wattage can vary depending on options
 Dimensions and specifications subject to change without notice.

Notes:
¹O is Optional
²Lens and reflector are not available together



Dimensions and specifications subject to change without notice.