



JOB NAME:

CAT#:

TYPE:

APPLICATIONS

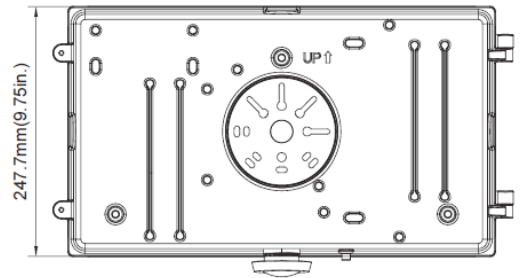
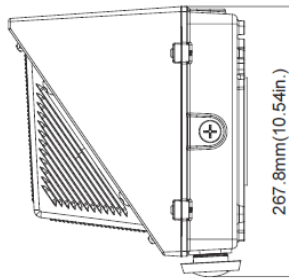
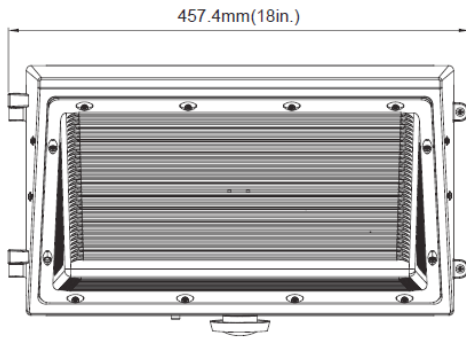
The MILGWPKSR LED Wall Pack is ideal for security, accent and perimeter lighting. Applications include entrance ways, garages, and commercial buildings. Housing is die-cast aluminum body with a standard bronze finish.

FEATURES & BENEFITS

- Heavy Duty Die Cast Aluminum Housing
- Min CRI 70
- Ambient operating temperature -40°C to 40°C (-40°F to 104°F)
- Bronze powder-coat finish
- Optional photocell and motion sensor
- Supports emergency battery
- Polycarbonate optical lens with UV stabilizers
- cUL_{us} listed for wet locations



DIMENSIONS



Dimensions and specifications subject to change without notice.





JOB NAME:

CAT#:

TYPE:

ORDERING

EXAMPLE: MILGWPKSR LED 90 DMV BZ 40 EM OS PC

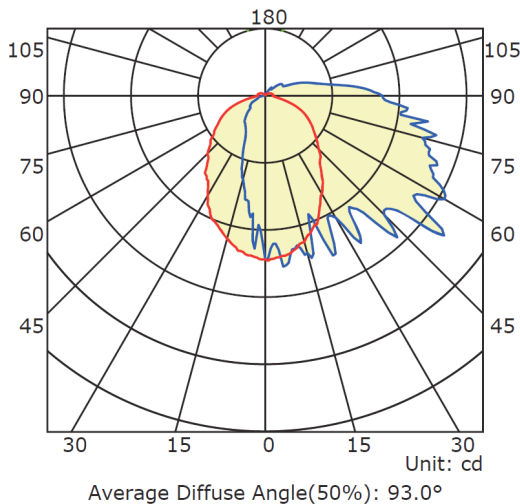
MILGWPKSR LED

1. SERIES	2. GEAR	3. WATTAGE/LUMENS	4. DRIVER	5. FINISH ¹	6. COLOR TEMP	7. EMERGENCY(O) ²	8. SENSOR(O) ³
MILGWPKSR	LED	90 90 Watts 9700 Lumens 135 135 Watts 14500 Lumens	DMV 120-277V Multivolt 0-10V Dimmable	BZ Bronze	40² 4000K 50 5000K	EM Emergency Battery Backup	OS Occupancy Sensor
9. PHOTOCELL(O)³							
PC	Photocell						

DLC Listed Fixtures			
Model Number	Color Temp	Options	DLC Listing
MILGWPKSR-LED90DMVBZxx	xx= 40,50	EM, PC, OS	Standard
MILGWPKSR-LED135DMVBZxx	xx= 40,50	EM, PC, OS	Standard



PHOTOMETRICS



Notes:

- ¹Consult for other options
- ²Not available in 135 watts
- ³O is Optional



Dimensions and specifications subject to change without notice.