

JOB NAME:
CAT#:
TYPE:

APPLICATIONS

Mobern's FLMM-LED is perfect for facade, wall washing, landscape, poster board, and commercial building lighting applications.

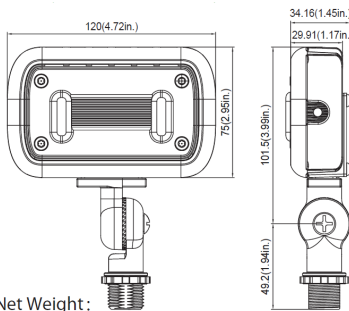
FEATURES & BENEFITS

- Rugged aluminum housing with UV resistant powder coat finish offers outstanding corrosion protection
- Three mounting options: ½" knuckle mount, trunnion, wall mount
- Ambient operating temperature -40°C to 45°C (-40°F ~113°F)
- High performance acrylic optic securely attached to internal heat sink for maximum thermal dissipation
- Long lasting L70 ≥ 50,000 hrs
- Five year warranty
- cUL_{us} Wet Location listed



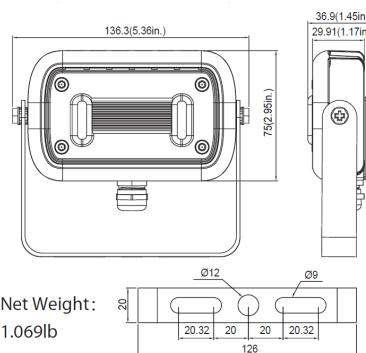
DIMENSIONS

15W Knuckle Mount



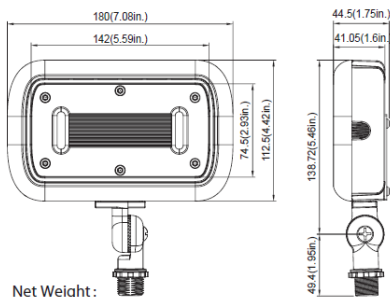
Net Weight:
 0.939lb

15W Trunnion Mount



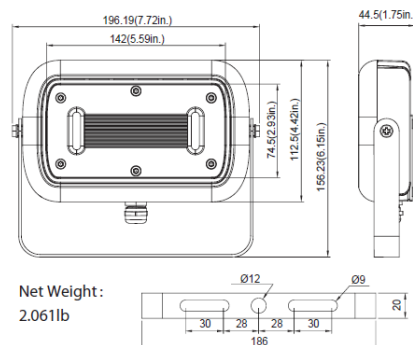
Net Weight:
 1.069lb

30W Knuckle Mount



Net Weight:
 1.887lb

30W Trunnion Mount



Net Weight:
 2.061lb

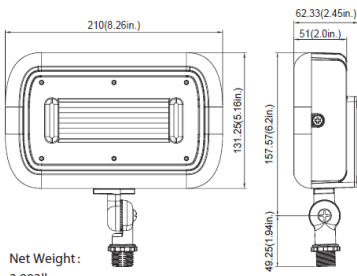
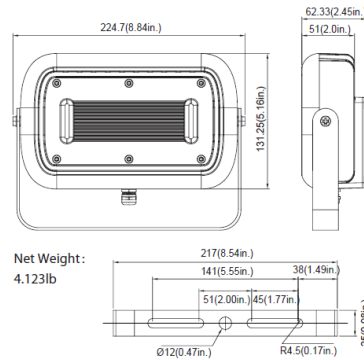
Dimensions and specifications subject to change without notice.



JOB NAME:

CAT#:

TYPE:

DIMENSIONS
45W Knuckle Mount

45W Trunnion Mount

1/2" Knuckle Mount

Die-cast aluminum knuckle provides flexibility in mounting from a variety of areas


Trunnion Mount

Die-cast aluminum trunnion adapts to many surfaces for easy aiming angles


ORDERING

EXAMPLE: FLMM 5 LED 15 BZ 50 KN

FLMM		LED				
1. SERIES	2. SIZE	3. GEAR	4. WATTAGE/LUMENS	5. FINISH ¹	6. COLOR TEMP ²	7. MOUNTING ³
FLMM	5	LED	5" size only 15 15 Watts 1500 Lumens 7" size only 30 30 Watts 3000 Lumens 8" size only 45 45 Watts 5400 Lumens	BZ Bronze	30 3000K 50 5000K	KN Knuckle TR Trunnion
	7					
	8					

Notes:
¹Consult for other finish options

²Consult for other color temperatures

³Ships installed

Dimensions and specifications subject to change without notice.





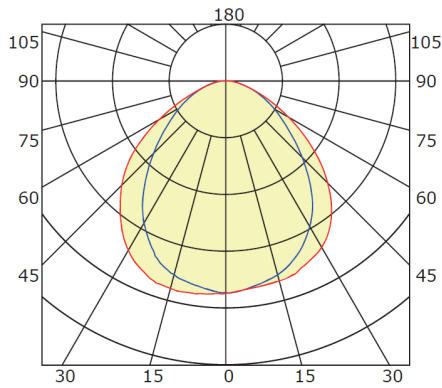
JOB NAME:

CAT#:

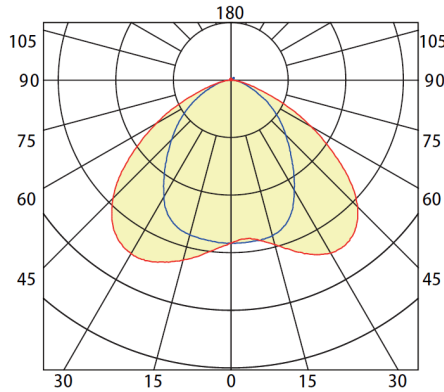
TYPE:

PHOTOMETRICS

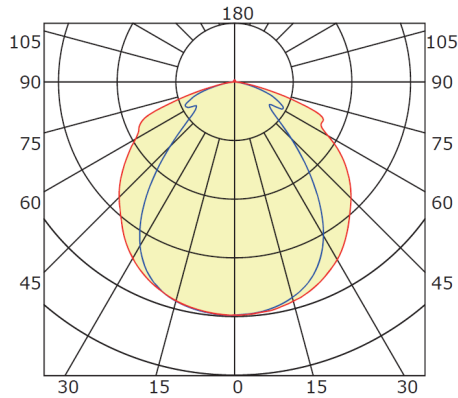
15 Watts



30 Watts



45 Watts



Dimensions and specifications subject to change without notice.

