



JOB NAME:

CAT#:

TYPE:

APPLICATIONS

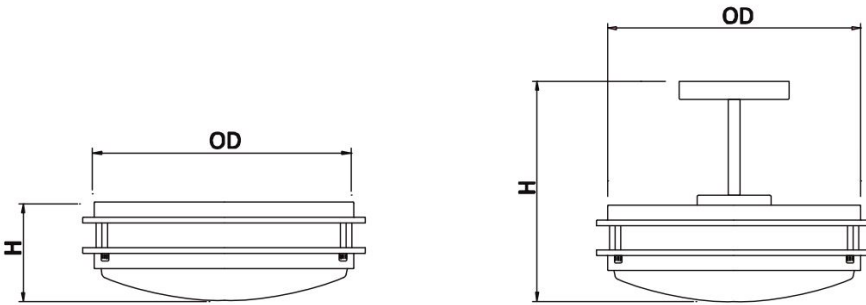
Stylish ceiling luminaire in either satin nickel or bronze is available in multiple sizes to meet a variety of applications. Matching wall, bath and linear versions make this series ideal for multi-family or hospitality applications.

FEATURES & BENEFITS

- Housing: Die-form Cold-rolled Steel
- Finish: Satin Nickel, Available in White, Oil Ribbed Bronze or Polished Brass
- Shade: High Transmission White Acrylic
- High Power Factor, Low THD
- 5 Years Warranty on Driver and LED Module
- _cETL_{us} listed



DIMENSIONS



	Surface Mount	Pendant Mount
15	14.8"OD x 4.6"H	14.8"OD x 11.7"H
18	17.8"OD x 4.8"H	17.8"OD x 11.9"H

ORDERING

SURFACE MOUNT

1. MODEL	2. INPUT VOLTAGE	3. INPUT WATTAGE	4. LUMEN	5. COLOR TEMP	6. CRI
DC014D-2G-A-xxxxK	120V~277V	23W	1980	3000K	> 80
DC018D-2G-A-xxxxK	120V~277V	35W	3100	3000K	> 80

FINISH OPTIONS

- 62 Satin Nickel
- 30 Oil Rubbed Bronze
- 01 Polished Brass
- 06 White

PENDANT MOUNT

1. MODEL	2. INPUT VOLTAGE	3. INPUT WATTAGE	4. LUMEN	5. COLOR TEMP	6. CRI
DC014D-2G-A-PD-xxxxK	120V~277V	23W	1980	3000K	> 80
DC018D-2G-A-PD-xxxxK	120V~277V	35W	3100	3000K	> 80



Dimensions and specifications subject to change without notice.