



JOB NAME:

CAT#:

TYPE:

APPLICATIONS

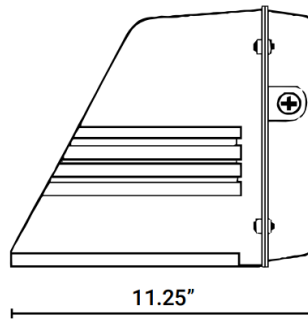
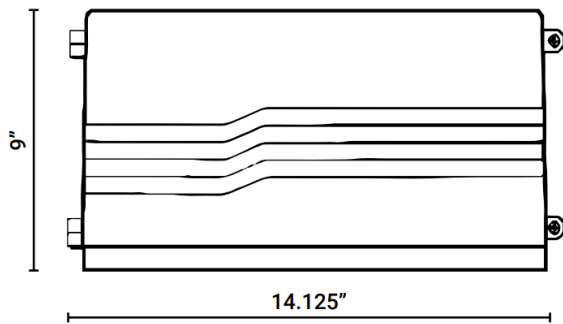
The DC150-90-LED medium 90° cut-off wall pack is part of the Mobern Patriot series of Buy American Act complaint fixtures, and is ideal for security, accent, and perimeter lighting. Applications include entrance ways, garages, and commercial buildings.

FEATURES & BENEFITS

- Heavy Duty Die Cast Aluminum Housing
- Impact resistant glass lens
- Can be surface mounted over an existing 4" outlet box or surface wired through a 1/2" conduit entry. Additional conduit entries available for photocells and other components.
- PF >0.90, THD <20
- cETL_{us} Listed
- IP65 rated for exterior environments
- 5 year warranty



DIMENSIONS



Dimensions and specifications subject to change without notice.





JOB NAME:

CAT#:

TYPE:

ORDERING

EXAMPLE: DC150-90 24W 50K BZ EM MS PC1 D1

DC150-90

1. MODEL	2. WATTAGE	3. COLOR TEMP	4. HOUSING COLOR ¹	5. EMERGENCY(O) ²	6. SENSOR(O) ²	7. PHOTOCELL(O) ²
DC150-90	12W 12 Watts 1686 Lumens	27K 2700K	BZ Bronze (Standard) WH White BL Black SL Silver CC Custom Color	EM Emergency Battery Pack	MS Motion Sensor MS-DS2 Motion Sensor w/ Bi-Level Dimming	PC1 120V Photocell PC2 208/277V Photocell
	24W 24 Watts 3373 Lumens	30K 3000K				
	36W 36 Watts 5060 Lumens	35K 3500K				
	48W 48 Watts 6747 Lumens	40K 4000K				
	60W 60 Watts 8434 Lumens	50K 5000K				
	72W 72 Watts 10121 Lumens	55K 5500K				

*Lumens at 5000K

8. DRIVER (O)²

- D1** 0-10V Dimming³
- D2** Step Dimming 120V Only³
- V1** 480/347V Input (120-277V Standard)^{3,4}

Notes:

¹Colors other than bronze will be an additional cost, longer lead time, and must be a minimum order quantity of 5 pieces

²(O) is optional

³Additional cost

⁴Not available with photocell, or motion sensor

Dimensions and specifications subject to change without notice.

