

Series PTR

LED Round Post Top Light

LED Round Post Top Light mounts to a pole top tenon for area lighting applications. Typical area lighting applications include parking areas, walkways, street lighting. Mounting height of 12 to 30 can be used based on light level and uniformity requirements. Fixture can replace HID lighting systems up to 1000W MH or HPS.

CONSTRUCTION

Corrosion resistant heavy duty-cast aluminum construction. Standard 2 3/8" open on the bottom. Pass 3 G vibration listing. Wiring compartment on the top for easy access and ease of installation.

MOUNTING

Accommodates P3 2 3/8" O.D. x 4" Tenons



DIMENSIONS

22.3"H x 17.3"W

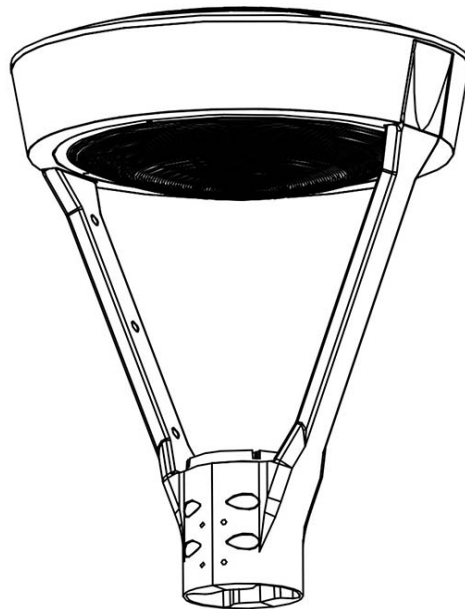
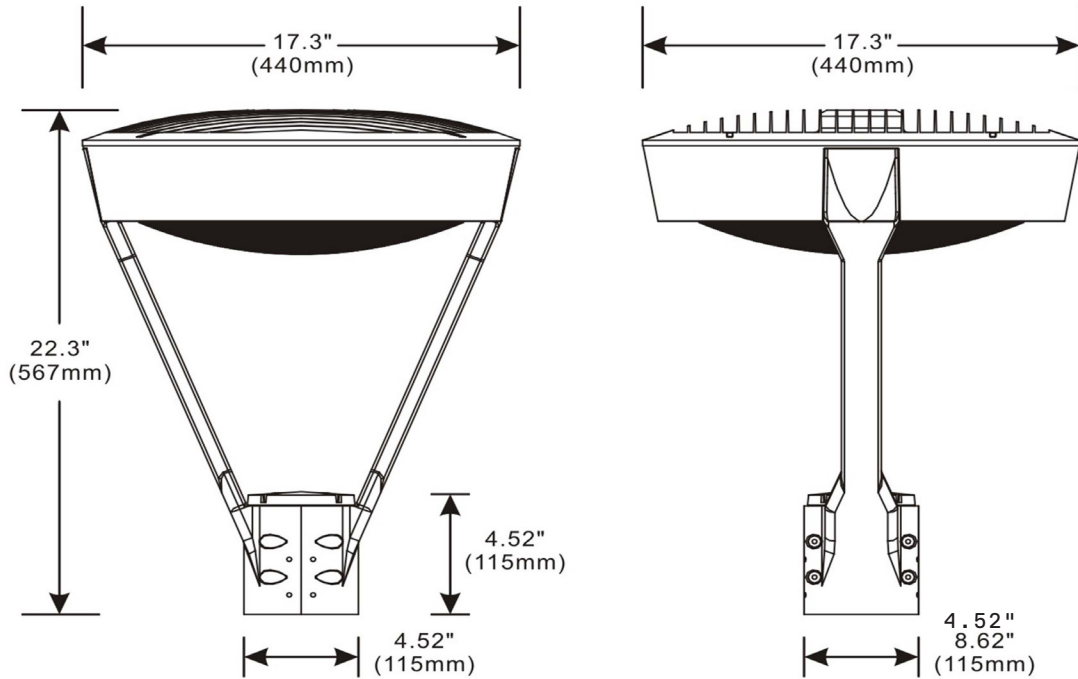
FEATURES & BENEFITS

- UL and cUL listed for wet locations
- Superior powder coat finish to withstand the toughest weather
- Precision injection molded UV polycarbonate optic lens
- Optional photocell with adder
- Consult for 347V or 480V
- Consult factory for other color temperatures



DRAWINGS & IMAGES

Side





CATALOG#: _____
 PROJECT: _____
 TYPE: _____

Series PTR

LED Round Post Top

ORDER INFORMATION

SERIES	WATTAGE & LUMENS		DRIVER		CCT		FINISH	
PTR	53W6800L	53 Watts 6800 Lumens	MV	120-277V	40K*	4000K	BZ	Bronze
	78W9500L	78 Watts 9500 Lumens						
	143W15400L	143 Watts 15400 Lumens						

* LED Kelvin temperature available.

* Consult factory for different CCT

PERFORMANCE DATA

ITEM NUMBER	SYSTEM WATTS	DIST. TYPE	LUMENS	LPW	B	U	G
PTR53W6800LMV40KBZ	53W	Type VS	6800lm**	126 lm/W	4	3	3
PTR78W9500LMV40KBZ	78W	Type VS	9500 lm**	129 lm/W	4	3	3
PTR143W15400LMV40KBZ	143W	Type VS	15400 lm**	130 lm/W	4	3	3

**DISCLAIMER: This test report was produced in accordance with IES LM-79 photometric testing protocol for luminaires using a single representative test fixture. Actual production units may vary from the values reported here by up to ± 10%.

We reserve the right to change design, materials, LEDs and finish in any way that will not alter installed appearance or reduce function and performance.