

Series 44

LED Linear Pendant 4" X 4" (Direct and Indirect, Direct or Indirect)

The 4" x 4" steel profile provides a bold architectural look used individually or in continuous lengths to provide comfortable, bright general lighting. Snap fit frosted lens hides the LED arrays and provides excellent glare control. Easy to join, and easy to install. Available in standard sizes, outputs and finishes with a vast array of custom options.

CONSTRUCTION

Die-formed and welded 22-gauge cold-rolled steel. Knockouts on ends allow continuous wireway mounting. Housing is specially designed with separating compartments for direct and indirect lighting. Can be ordered to achieve both direct and indirect lighting, or one or the other.

DIFFUSERS

Fixture accepts various lenses or louvers.

TYPICAL OPTIONS & ACCESSORIES

Cord sets, whips, occupancy sensors, hanging kits, wire guards. Emergency battery backup option available. Contact factory for more details.



DIMENSIONS

2ft. - 24"L x 4"W x 4"H

4ft. - 48"L x 4"W x 4"H

8ft. - 96"L x 4"W x 4"H

Custom lengths available;
contact factory


FEATURES & BENEFITS

- Pendant mount; also surface, recess or wall mounted
- For individual use or lined up in a continuous row, resulting in a clean line of light
- Recommended for commercial & residential applications
- Custom finishes available; contact factory
- CRI: >80 standard, 90 optional
- L70: >50,000 Hours
- Dimming: 0-10V 120-277V standard, 120V ELV/TRIAC optional
- Several Kelvin temperature options (3000K, 3500K, 4000K, 5000K)
- Emergency backup options available
- Power Factor: >0.90
- Suitable for damp and dry locations
- 5-Year Warranty



ORDER INFORMATION

Factory at your fingertips. Fill in the blanks to create your part number or create a custom configuration.

SENSOR	SERIES	LENS MATERIAL	LENGTH	W		L		DRIVER		COLOR							
				WATTAGE*	LUMENS*	WATTAGE*	LUMENS*	DRIVER	DRIVER	30K	3500K	40K	5000K				
SS Sensor - On/Off SV Bi-level (xx) SD Daylight Harvesting 	44W Wall Mount	MW[†] Matte white regressed lens (Only available for downlight)	24L 24"	Up & Down				DMV 0-10V Dimming	G120 ELV/TRIAC dimming at 120V only (only available with SS sensor)	30K	3000K						
				UR6WD12W		Uplight 6 Watts Downlight 12 Watts 3600 Lumens						35K	3500K				
				UR9WD18W		Uplight 9 Watts Downlight 18 Watts 5400 Lumens								40K	4000K		
				Up or Down Light Only												50K	5000K
				R12W1200L		12 Watts 1200 Lumens											
				R24W2400L		24 Watts 2400 Lumens											
	48L 48"		Up & Down				D1MV 0-10V Dimming (dim to 1%)	DMV(xx) 0-10V Dimming (xx) for percentage of light output when not occupied. (required for SV sensor)	30K	3000K							
	UR12WD24W		Uplight 12 Watts Downlight 24 Watts 3600 Lumens		35K	3500K											
	UR18WD36W		Uplight 18 Watts Downlight 36 Watts 5400 Lumens								40K	4000K					
	Up or Down Light Only												50K	5000K			
	R24W2400L		24 Watts 2400 Lumens														
	R48W4800L		48 Watts 4800 Lumens														
96L 96"		Up & Down					D1MV 0-10V Dimming (dim to 1%)	DMV(xx) 0-10V Dimming (xx) for percentage of light output when not occupied. (required for SV sensor)	30K	3000K							
UR24WD48W		Uplight 24 Watts Downlight 48 Watts 7200 Lumens		35K	3500K												
UR36WD72W		Uplight 36 Watts Downlight 72 Watts 10800 Lumens				40K					4000K						
Up or Down Light Only												50K	5000K				
R48W4800L		48 Watts 4800 Lumens															
R96W9600L		96 Watts 9600 Lumens															

[†] MW lens on the 8' fixture requires a center support bracket to hold it in place

Additional Options

CRI**	FINISH	CONFIGURATIONS	OPTIONS
Blank 80 CRI 90 90 CRI	WH White BK Black SI Silver	Blank Individual B Beginner Run E Ender Run J Joiner	HC301WH Cable kit with 4' cable & 3 wires power feed/cable incl. and white canopy HC302WH Cable kit with 12' cable & 3 wires power feed/cable incl. and white canopy HC3015WWH Cable kit with 4' cable & 5 wires power feed/cable incl. and white canopy HC3025WWH Cable kit with 12' cable & 5 wires power feed/cable incl. and white canopy HC3016WH Cable kit with 4' cable & 6 wires power feed/cable incl and white canopy HC3026WH Cable kit with 12' cable & 6 wires power feed/cable incl and white canopy 2SCS24WH Two stem kits with 24" stem, canopy and mounting hardware for a 4' fixture EM 10W Emergency battery backup (internal, excludes less than 4ft) EM12 12W Emergency battery backup (internal, excludes less than 4ft) EM20 20W Emergency battery backup (remote only)

Note:

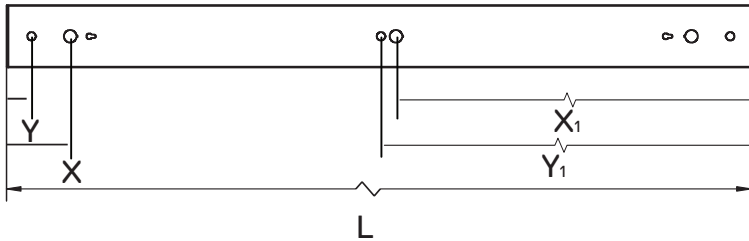
*Programmable LED drivers allow custom configured wattages and corresponding lumens.

**Consult factory for 90CRI 5000K availability.

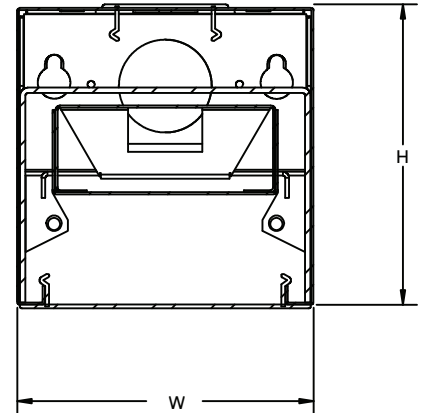
We reserve the right to change design, materials, LEDs and finish in any way that will not alter installed appearance or reduce function and performance.

DRAWINGS & IMAGES

PENDANT MOUNT



End Side View



PART	L	W	H	X	Y	X ₁	Y ₁
44P12L	12.00"	4.00"	4.05"	*	*	*	*
44P24L	24.00"	4.00"	4.05"	*	*	*	*
44P36L	36.00"	4.00"	4.05"	*	*	*	*
44P48L	48.00"	4.00"	4.05"	4.00"	1.50"	23.00"	24.00"
44P60L	60.00"	4.00"	4.05"	*	*	*	*
44P72L	72.00"	4.00"	4.05"	*	*	*	*
44P84L	84.00"	4.00"	4.05"	*	*	*	*
44P96L	96.00"	4.00"	4.05"	4.79"	6.00"	48.97"	48.00"

L-Length
 W-Width
 H-Height
 X-0.875" Knock Out Distance
 Y-0.575" Hanging Kit Distance
 * - Please consult factory

REPLACEMENT LENS ORDERING INFORMATION

SERIES	DESCRIPTION
044PSF24L	Replacement Snap-in Frosted lens for 24"
044PSF48L	Replacement Snap-in Frosted lens for 48"
044PSF96L	Replacement Snap-in Frosted lens for 96"



Uplight & Downlight



Continuous Run End



Wall/Pendant Mount