

**SIZE W x L x H in inches**  
 2.375"W x 48.03"L x 3.25"H  
 2.375"W x 96.03"L x 3.25"H

**MOUNTING**

Surface Mount on wall or ceiling, vertical or horizontal.  
 Pendant mount with optional cable kit or stem kits.  
 (Consult for Wall Version)

**TYPICAL OPTIONS & ACCESSORIES**

Occupancy sensor, Whips, Fuses and Cord Sets.  
 Contact factory for more details.

**FEATURES & SPECIFICATIONS**

**INTENDED USE**

Full body micro silhouette 2.5 inches (nominal) in diameter makes a bold statement with a minimal design in post-painted powder coat flat white finish (consult factory for other finishes). Snap Fit softly etched diffuser with small matched finish metal inserts to hide shadows and dark spots provides smooth, comfortable lighting and completes the clean appearance. Available for fluorescent and LED T8 lamps (with and without ballast) or a complete LED system with driver and LED arrays. The fixture is beautifully scaled to both the T8 lamp or LED arrays. Fixtures can be surface mounted, on wall or ceiling, or pendant mounted. They can be used individually or joined together for continuous runs. End Cap is easily removable for clean, hassle free continuous row mounting. Add a wiring harness for complete plug and play operation in continuous runs.

**MATERIAL & FEATURES**

- Fully assembled housing is formed and welded, 22 gauge steel, chemically treated to resist corrosion and enhance paint adhesion
- Can be mounted individually or in continuous rows
- Available with smooth frosted lens
- Knock-outs on back accept standard electrical fittings (by others). Consult factory for other locations.
- Dimming ballast options available. (Consult factory for availability and system compatibility).

**ORDERING INFORMATION - Fluorescent or LED T8**

Example: **SES2.51328ZWHMVP13D**

| SES2.5                           |               | 132               |                                       | ZDMV60041         |                                     | PI3D           |   |
|----------------------------------|---------------|-------------------|---------------------------------------|-------------------|-------------------------------------|----------------|---|
| Series                           |               |                   |                                       | Ballast & Voltage |                                     | Options        |   |
| <b>SES2.5</b><br>Full Body Micro |               |                   |                                       | <b>MV</b>         | Electronic Multi-volt (120-277V)    | <b>HC301WH</b> | 5' Cable Kit  |
|                                  |               |                   |                                       | <b>X1</b>         | Wired for single ended LED T8 lamps | <b>HC302WH</b> | 10' Cable Kit   |
|                                  |               |                   |                                       | <b>X2</b>         | Wired for double ended LED T8 lamps | <b>LNXX</b>    | Fluorescent lamp included (XX color temperature or add 5 digit vendor code)         |
|                                  |               |                   |                                       | <b>XX</b>         | No sockets, ballasts or wiring      | <b>PI1</b>     | 3 wire harness, including white, black and green                                    |
| Lamp Count                       | Lamp Type [1] | & Tandem Code [2] |                                       |                   |                                     | <b>PI2</b>     | 4 wire harness, including white, black, green and blue for Emergency Battery Backup |
| 1                                | 28            | 46" T5 [4]        | 8 ft. tandem (2 lamp positions total) |                   |                                     | <b>PI3D</b>    | 5 wire harness, including white, black, green, violet and gray                      |
| 1                                | 32            | 48" T8            | 8 ft. tandem (2 lamp positions total) |                   |                                     | <b>LN15W40</b> | Single ended 15W 1800 Lumens 4000K* Included  |
| 1                                | 54            | 46" T5HO [4]      | 8 ft. tandem (2 lamp positions total) |                   |                                     | <b>LN18W40</b> | Single ended 18W 2100 Lumens 4000K* Included  |

LED Lamp See LED lamp that is compatible with GE driver

\* Change 30 to 40 or 50 for 4000K or 5000K

|                 |
|-----------------|
| Catalog Number: |
| Notes:          |

### 4 FT

### ORDERING INFORMATION - Fluorescent or LED T8

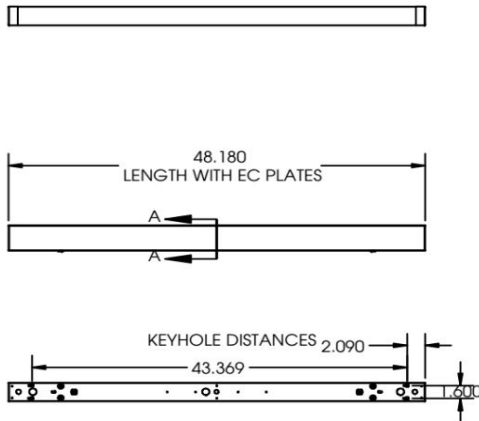
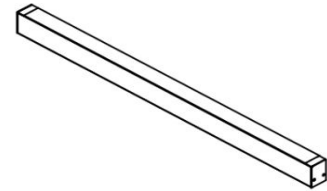
Example: SES2.51328ZWHMVPI3D

|   |    |  |                                       |
|---|----|--|---------------------------------------|
| SES2.5  |    | 132  |                                       |
| <b>Series</b>   |    |  |                                       |
| SES2.5<br>Full Body Micro                                   |    |  |                                       |
| <b>Lamp Count    Lamp Type [1]    &amp; Tandem Code [2]</b> |    |  |                                       |
| 1   | 28 | 46" T5 [4]                                     | 8 ft. tandem (2 lamp positions total) |
| 1   | 32 | 48" T8   | 8 ft. tandem (2 lamp positions total) |
| 1   | 54 | 46" T5HO [4]                                   | 8 ft. tandem (2 lamp positions total) |
| LED Lamp  |    | See LED lamp that is compatible with GE driver |                                       |

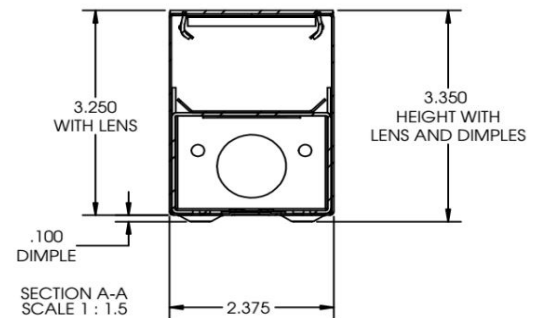
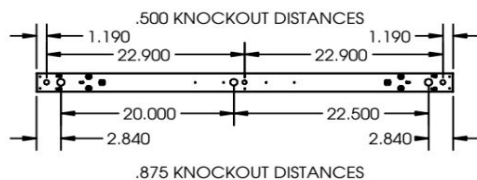
|                              |                                     |                |   |
|------------------------------|-------------------------------------|----------------|---|
| MV60041                      |                                     | PI3D           |   |
| <b>Ballast &amp; Voltage</b> |                                     | <b>Options</b> |   |
| <b>MV</b>                    | Electronic Multi-volt (120-277V)    | <b>HC301WH</b> | 5' Cable Kit  |
| <b>X1</b>                    | Wired for single ended LED T8 lamps | <b>HC302WH</b> | 10' Cable Kit   |
| <b>X2</b>                    | Wired for double ended LED T8 lamps | <b>LNXX</b>    | Fluorescent lamp included (XX color temperature or add 5 digit vendor code)         |
| <b>XX</b>                    | No sockets, ballasts or wiring      | <b>PI1</b>     | 3 wire harness, including white, black and green                                    |
|                              |                                     | <b>PI2</b>     | 4 wire harness, including white, black, green and blue for Emergency Battery Backup |
|                              |                                     | <b>PI3D</b>    | 5 wire harness, including white, black, green, violet and gray                      |
|                              |                                     | <b>LN15W40</b> | Single ended 15W 1800 Lumens 4000K* Included  |
|                              |                                     | <b>LN18W40</b> | Single ended 18W 2100 Lumens 4000K* Included  |

\* Change 30 to 40 or 50 for 4000K or 5000K

### DIMENSIONS & MOUNTING



BOTTOM VIEW



|                 |
|-----------------|
| Catalog Number: |
| Notes:          |