

# Series S25

## Wall bracket & Surface / Recessed Mount LED w/Optional Sensor

Full body micro silhouette makes a bold statement with a minimal design in post-painted in powder coated flat white polyester finish (consult factory for other finishes). Scaled to the LED module the matte white diffuser surrounds the LEDs for soft lighting. Fixture can be surface mounted on wall or ceiling or pendant mounted with cable mounting kit.

### CONSTRUCTION

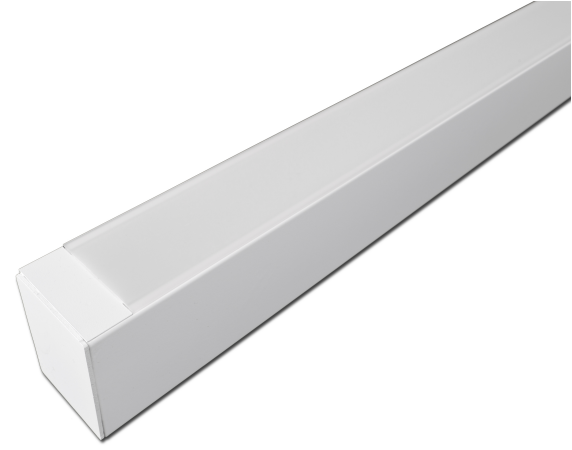
Housing is fully assembled housing is formed and welded 22 gauge steel, chemically treated to resist corrosion and enhance paint adhesion. • Knock-outs on back accept standard electrical fittings (by others). Consult factory for other locations.

### MOUNTING

Surface mount or Pendant mount. Horizontal or Vertical.

### TYPICAL OPTIONS AND ACCESSORIES

Occupancy Sensor, Whips, fuses, and cord sets. See options page at the end of the T02 Strip section, or contact factory for more details.



### FIXTURE DIMENSIONS

24L: 2.375"W x 24"L x 3.25"H

48L: 2.375"W x 48"L x 3.25"H

96L: 2.375"W x 96"L x 3.25"H

### SPECIFICATIONS

- 3 standard lengths - 2ft, 4ft, and 8ft
- Surface or pendant mount
- Many lumen package / wattage options via programmable drivers
- Multiple Kelvin temperature options (3000K, 3500K, 4000K, 5000K)
- Emergency battery backup options available
- CRI >80 (90 CRI available)
- >50,000 hrs of L70 LED life
- Rated for dry and damp locations
- 0-10 Volt dimmable 120-277V (120V ELV/TRIAC avail)
- Power factor >0.90
- 5 year warranty



CATALOG#: \_\_\_\_\_  
 PROJECT: \_\_\_\_\_  
 TYPE: \_\_\_\_\_

# Series S25

Wall bracket & Surface / Recessed Mount LED w/Optional Sensor

## ORDERING GUIDE

Factory at your fingertips. Fill in the blanks to create your part number or create a custom configuration.

Sample Part Number: SES25P-FR-24L-J-22W2200L-DMV-35K-WH

SENSOR	SERIES	DIFFUSER	LENGTH	GEAR	WATTAGE & LUMENS*2	DRIVER
<b>SS<sup>3</sup></b> Occupancy Sensor (ON WHEN OCCUPIED, OFF WHEN NOT) <b>SD<sup>1</sup></b> Daylight Harvesting Sensor <b>SV<sup>1</sup></b> Bi Level(xx) Sensor <b>Blank</b> Metal Plate Cover	<b>SES25P</b> LED Linear Pendant/Surface Mounted  <b>SES25R</b> LED Linear Recessed Mounted for T-bar Ceiling  <b>SES25RF</b> LED Linear Recessed Mounted with Flanged Appearance for Dry Wall Ceiling	<b>FR</b> Frosted	<b>24L</b> 3"W x 24"L	<b>J</b>	<b>13W1300L</b> 13 Watts, 1,300 Lumens <b>19W1900L</b> 19 Watts, 1,900 Lumens <b>22W2200L</b> 22 Watts, 2,200 Lumens	<b>DMV</b> 120-277 VAC 0-10V Dimming  <b>DMV(xx)</b> 120-277 VAC 0-10V Dimming to XX% when unoccupied
					<b>31W3100L</b> 31 Watts, 3,100 Lumens <b>38W3800L</b> 38 Watts, 3,800 Lumens <b>45W4500L</b> 45 Watts, 4,500 Lumens  <b>RGBW27W</b> RGB color changing abilities and White <sup>2</sup>	
			<b>96L</b> 3"W x 96"L	<b>J</b>	<b>62W6200L</b> 62 Watts, 6,200 Lumens <b>76W7600L</b> 76 Watts, 7,600 Lumens <b>90W9000L</b> 90 Watts, 9,000 Lumens  <b>RGBW54W</b> RGB color changing abilities and White <sup>2</sup>	

CCT		FINISH	
<b>30K</b>	3000K	<b>WH</b>	White (standard)
<b>35K</b>	3500K		
<b>40K</b>	4000K	<b>Premium Options:</b>	
<b>50K</b>	5000K	<b>BK</b>	Black
		<b>BN</b>	Brushed Nickel

**Note:**

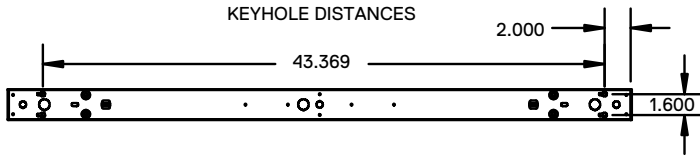
1. Sensor options not available in 2' fixtures.
2. RGBW lighting option only available with multivolt driver.
3. Step dimming recommended when using SS occupancy sensor.

\*Programmable LED drivers allow custom configured wattages and corresponding lumens.

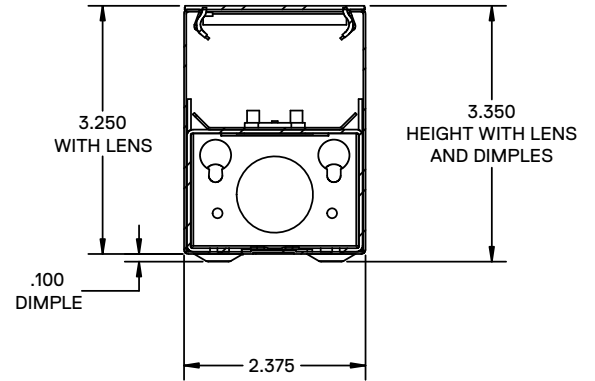
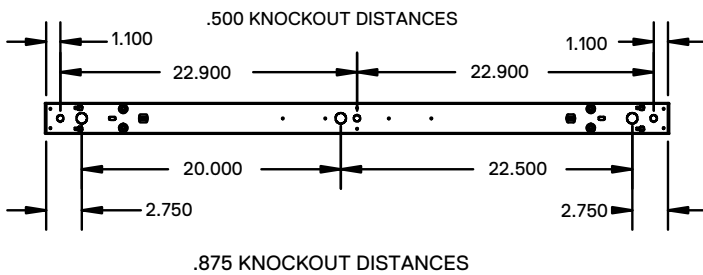
We reserve the right to change design, materials, LED's and finish in any way that will not alter installed appearance or reduce function and performance.

## PRODUCT DIMENSIONS

4 ft

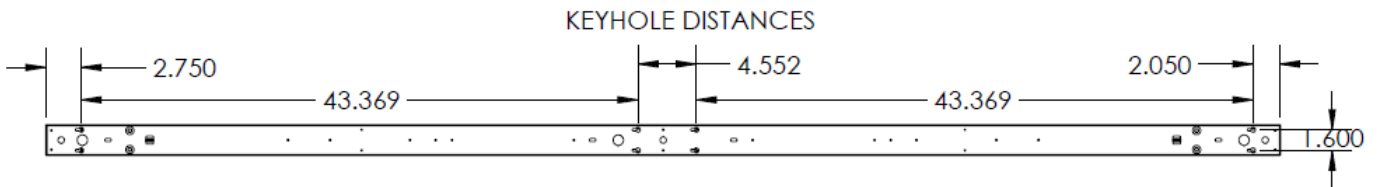


BOTTOM VIEW



END VIEW

8 ft



BOTTOM VIEW

