



Texas Fluorescents  
Reinvented

CATALOG# : \_\_\_\_\_

PROJECT : \_\_\_\_\_

TYPE : \_\_\_\_\_

# Series RCP

## LED Round Canopy

This canopy light has a slim and low profile design which provides safe and a visually appealing lighting experience. Luminance can be mounted directly to the ceiling. Quick mount structure for contractors to work safely and easily in the confined space areas. It is perfect solution to replace 100-175 watt metal halide lamp with a benefit of low maintenance cost. Typical area lighting applications include storage areas, shopping areas, walkways, entryway and low level security applications.

### CONSTRUCTION

Sealed die-cast aluminum housing, UV stabilized power coated finish, glare free lens.

### MOUNTING

Surface mount



### DIMENSIONS

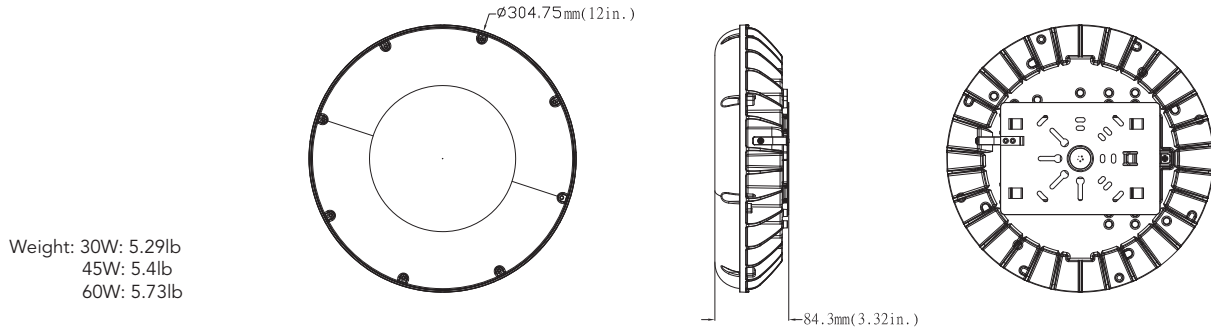
- 12"Dia x 3.32"H

### FEATURES & BENEFITS

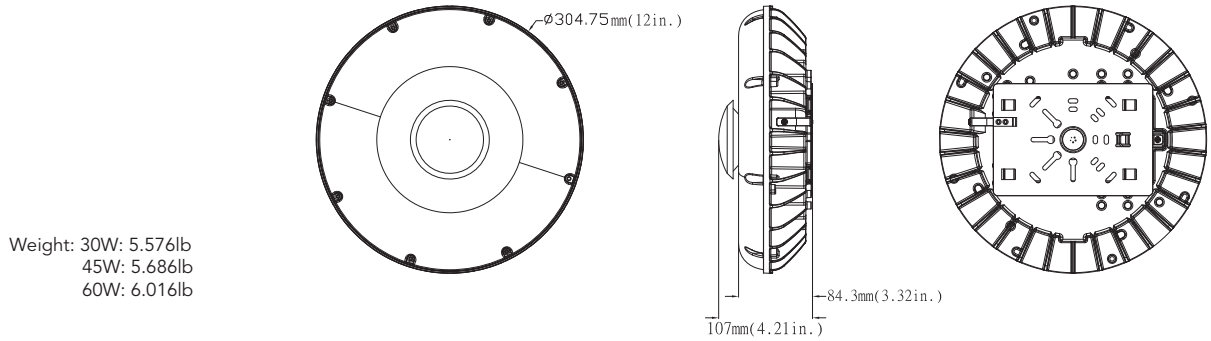
- Sealed die-casting profile for indoor and outdoor applications
- Voltage is 120-277V & 347V
- Lumen output from 3500-7600lm with efficacy up to 127lm/W
- Optional Parking Garage Photometry or Low Bay Photometry
- Increase energy savings with bi-level Motion sensor.
- Replacing 100W MH and 175W MH
- Operating temperature is -40°C to 45°C ( -40°F to 113°F) .
- UL/cUL wet location
- 5 year warranty for -40°C to +45°C environment



**DRAWINGS & IMAGES**



Weight: 30W: 5.29lb  
45W: 5.4lb  
60W: 5.73lb



Weight: 30W: 5.576lb  
45W: 5.686lb  
60W: 6.016lb



Sensor Option

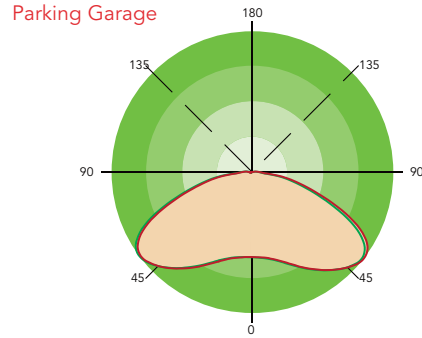
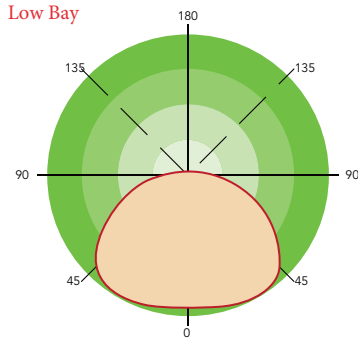


Emergency option



Mounting Plate

**PHOTOMETRICS**



**PERFORMANCE DATA**

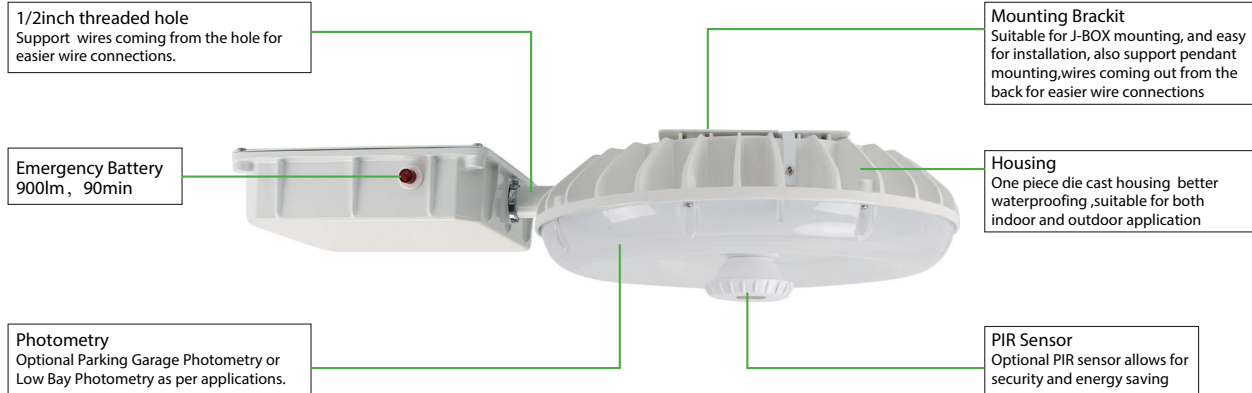
SYSTEM WATTS	PHOTOMETRY	VOLTAGE	4000K(70CRI)		5000K(70CRI)	
			LUMENS	LPW	LUMENS	LPW
30W	Parking Garage	120-277VAC	3500lm	117 lm/W	3600lm	120 lm/W
	Low Bay	120-277VAC	3800lm	127 lm/W	3800lm	127 lm/W
45W	Parking Garage	120-277VAC	4900lm	109 lm/W	5000lm	111 lm/W
	Low Bay	120-277VAC	5500lm	122 lm/W	5500lm	122 lm/W
50W	Parking Garage	347VAC	4900lm	98 lm/W	5000lm	100 lm/W
	Low Bay	347VAC	5500lm	110 lm/W	5500lm	110 lm/W
60W	Parking Garage	120-277VAC	7000lm	117 lm/W	7100lm	118 lm/W
	Low Bay	120-277VAC	7600lm	127 lm/W	7600lm	127 lm/W
65W	Parking Garage	347VAC	7000lm	108 lm/W	7100lm	109 lm/W
	Low Bay	347VAC	7600lm	117 lm/W	7600lm	117 lm/W

**ELECTRICAL DATA**

Number Of Drivers	Driver Current (mA)	Nominal Power (W)	INPUT VOLTAGE (V)	CURRENT (Amps)
1	760	30	120	0.25
		30	208	0.14
		30	240	0.13
		30	277	0.11
1	1110	45	120	0.38
		45	208	0.22
		45	240	0.19
		45	277	0.16
		50	347	0.14
1	1500	60	120	0.50
		60	208	0.29
		60	240	0.25
		60	277	0.22
		60	347	0.17

CATALOG#: \_\_\_\_\_  
PROJECT: \_\_\_\_\_  
TYPE: \_\_\_\_\_

### Structure



### ORDER INFORMATION

ITEM NO.	DESCRIPTION
RCP12L30W3600LDMV50KBZ	LED Round Canopy 12"Dia x 3.32"H / 30W / 3600 Lumen / Polycarbonate lens / 0-10V Dimming / 120-277V / 5000K / Bronze Finish
RCP12L45W5000LDMV50KBZ	LED Round Canopy 12"Dia x 3.32"H / 45W / 5000 Lumen / Polycarbonate lens / 0-10V Dimming / 120-277V / 5000K / Bronze Finish
RCP12L60W7100LDMV50KBZ	LED Round Canopy 12"Dia x 3.32"H / 60W / 7100 Lumen / Polycarbonate lens / 0-10V Dimming / 120-277V / 5000K / Bronze Finish

\*For emergency option, add EM at the end of the part number. Consult factory for sensor options.