



JOB NAME:

CAT#:

TYPE:

APPLICATIONS

This Sky Bay Edgelit Flat Panel provides comfortable, abundant lighting with a modern design. It is available in multiple color temperatures and is 0-10V dimmable. The panel is designed for T-Bar recessed mounting with ballast box on the top side of the panel. The panel has an unobtrusive white edge. These panels are an ideal choice for many applications including offices, circulation spaces, retail, hospitality and in residential kitchens to give a skylight appearance.

Housing is white aluminum that is sealed and Non-IC type fixture. Lens is evenly diffused frosted material. The driver is Class 2 compliant design, featuring low voltage, limited power and is capable of 0-10V dimming as standard. Fixture is 80CRI minimum, multiple color temperatures, sizes and wattages are available. 5 year limited system warranty. Listed by and bears cUL_{us} label.



FEATURES & BENEFITS

- Environmentally friendly-mercury free
- L70 ≥ 50,000 hrs
- CRI>80
- 0-10 Volt dimmable 120-277VAC
- High efficacy and UV and IR Free
- RoHS compliant
- 5 year warranty
- PF>99
- cUL_{us} Listed



FRONT VIEW

DIMENSIONS

- 1x4 - 12.0" x 47.65" x 3.68
- 2x2 - 23.95" x 23.95" x 3.68
- 2x4 - 23.95" x 47.86" x 3.68
- Driver - 10.625" x 3.0" x 1.7"



BACK VIEW

Dimensions and specifications subject to change without notice.



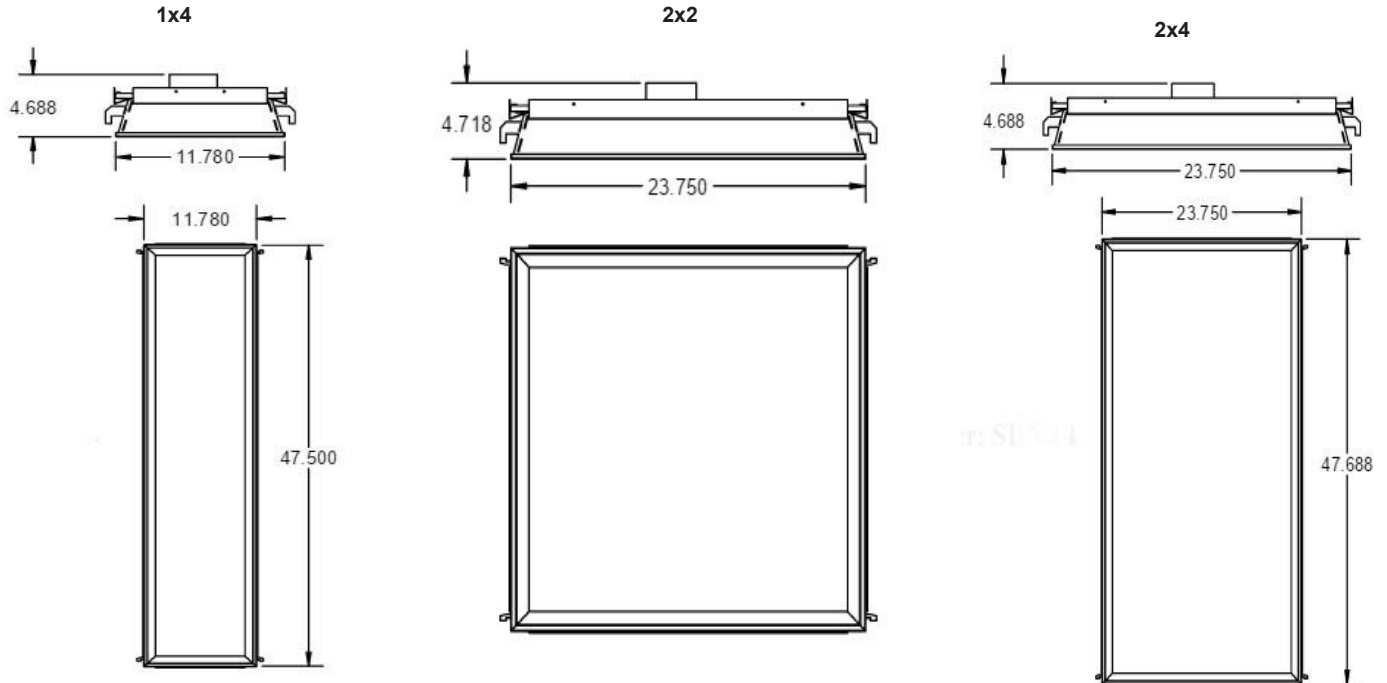


JOB NAME:

CAT#:

TYPE:

DIMENSIONS



ORDERING

EXAMPLE: SKB 14 LED 40 DMV WH 35 EM

SKB		LED							
1. SERIES	2. LENGTH	3. GEAR	4. WATTAGE/LUMENS	5. DRIVER	6. FINISH	7. COLOR TEMP	8. EM		
SKB	14 1x4 22 2x2 24 2x4	LED	40 40 Watts 5000 Lumens 50 50 Watts 6250 Lumens 75 75 Watts 9375 Lumens	DMV 0-10V Dimming 120-277V	WH White	35 3500K 40 4000K 50 5000K	EM 10W, 1300 lumen Battery backup		

Dimensions and specifications subject to change without notice.

