



Texas Fluorescents
Reinvented

CATALOG#: _____
PROJECT: _____
TYPE: _____



Series LWD

LED Linear Wall Downlight Retrofit Kit

These kits provide everything required to enhance the performance and energy savings of your recessed fixture while minimizing labor, clean up and expense. Designed to convert your old 3' or 4' T12 or T8 linear strips or industrial fixtures with New LED technology. These flexible wattage options are cost effective and make this a perfect retrofit for schools, retails, warehouse, storage or any other facility area currently using strip fixtures.

CONSTRUCTION

Retrofit kit is made of a premium and standard full specular enhanced white code gauge steel.

MOUNTING

Fixtures can be Surface Mounted to the ceiling or pendant hung by stem or cable.

TYPICAL OPTIONS AND ACCESSORIES

Cord sets, occupancy sensors Hanging kits.
Contact factory for additional options.

DIMENSIONS

LWD3	-36"L x 2.88"W x 5.982"H
	-48"L x 2.88"W x 5.982"H
	-96"L x 2.88"W x 5.982"H
LWD	-36"L x 4.54"W x 5.982"H
	-48"L x 4.54"W x 5.982"H
	-96"L x 4.54"W x 5.982"H

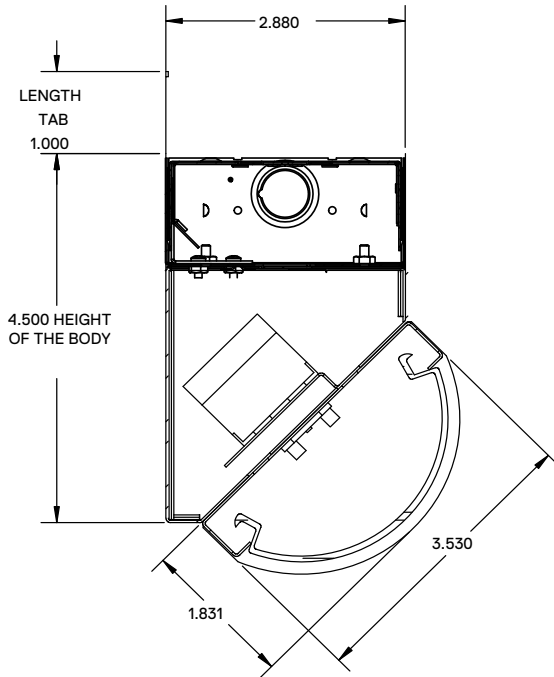
FEATURES & BENEFITS

- Fast simple installation
- 80% more energy saving compared with fluorescent lamp
- Lighting the way to your site and maximum savings
- Varieties in color temperatures and wattage
- Suitable for dry or damp location
- 50,000 hrs of L70 LED life
- CRI >80
- 0-10 Volt dimmable 120-277V
- Power factor 0.99
- 0-10V dimming or Triac dimming
- 5 year warranty

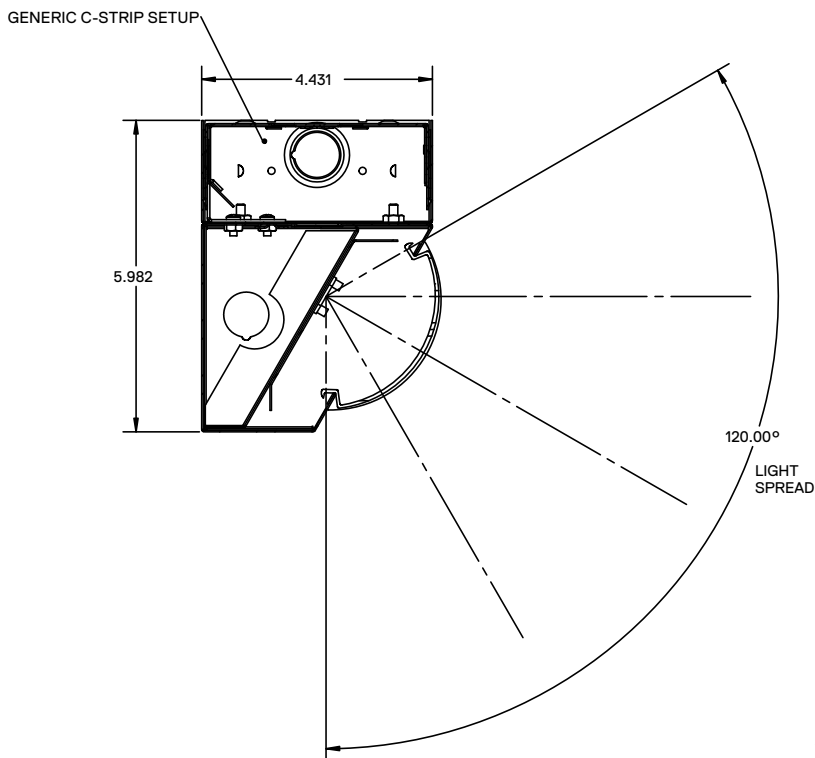


DRAWINGS & IMAGES

LWD3 - 2.88" Width



LWD - 4.43" Width



DIMENSIONS

All dimensions are inches. Specifications subject to change without notice

CATALOG# : _____

PROJECT : _____

TYPE : _____

Series LWD

LED Linear Wall Downlight Retrofit Kit

PRODUCT NUMBERS

SERIES	WIDTH		LENS MATERIAL		LENGTH		WATTAGE & LUMENS	
LWD LED Linear Wall Downlight Retrofit Kit	3	2.88" Width	SF	Snap In Frosted Acrylic Lens (85% transmission) *Special for LEDs	36L	36"	Q19W2250L	19 System Watts, 2250 Delivered Lumens
	Blank	4.54" Width			48L	48"	Q25W3000L	25 System Watts, 3000 Delivered Lumens
					96L	96"	Q50W6000L	50 System Watts, 6000 Delivered Lumens
							_____ *	_____ *

DRIVER		CCT		FINISH		OPTIONS	
DMV	0-10V Dimming	30K	3000K	WH	White	PI1	3 Wires Harness, Including White, Black and Green.
G120	Triac/ELV Dimming at 120V only	35K	3500K	BK	Black	PI2	4 Wires Harness, Including White, Black, Green and Blue for Emergency Battery Backup.
		40K	4000K	SI	Silver	PI3D	5 Wires Harness, Including White, Black, Green, Violet and Gray.
		50K	5000K			WP	6ft. 3 wire 18 gauge whip
						WP10	6ft. 4 wire 18 gauge whip
						EM	10W Emergency battery backup

Note:

*Programmable LED drivers allow custom configured wattages and corresponding lumens.

We reserve the right to change design, materials, LED's and finish in any way that will not alter installed appearance or reduce function and performance.