



JOB NAME:

CAT#:

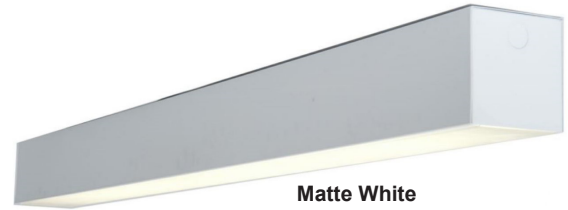
TYPE:

### APPLICATIONS

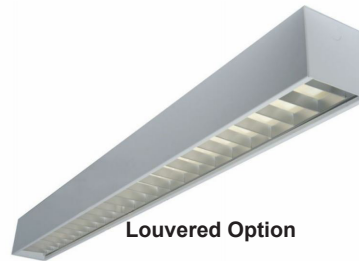
The linear 4x4 LED Linear fixture is for distinctive architectural lighting plans. Ideal for corridors, lobbies and office areas. The 4x4 Series fixtures can be installed individually or in group patterns. Die-formed and welded 22-gauge cold rolled steel. Removable end plates allow continuous wireway mounting.

### FEATURES & BENEFITS

- Fixtures can be surface mounted, recessed mounted or pendant hung by stem or cable
- Accepts various lenses or louvers
- 8' units have a steel mullion to join two individual diffusers
- Optional welded light-leak flanges are available on ends
- Option to continuous row mount is standard by removing end plates
- Every fixture is individually tested
- Recessed versions are all IC Rated (L44R,L44RF,L44RR)
- cETL<sub>us</sub> listed for damp location



Matte White



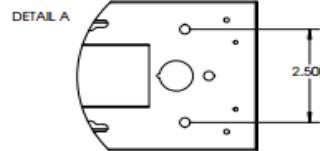
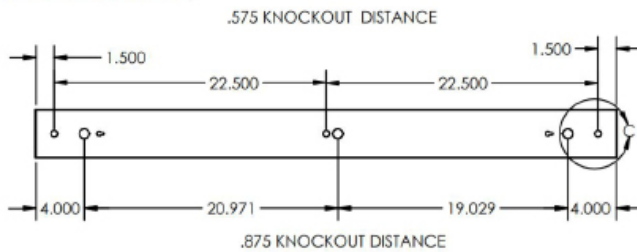
Louvered Option



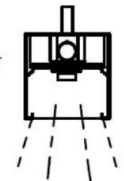
No Reflector

### DIMENSIONS

#### 4FT Dimensions

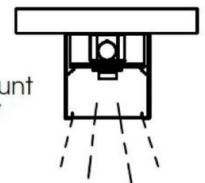


Type **P**  
Pendant Mount

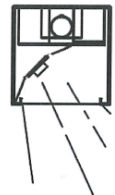


or

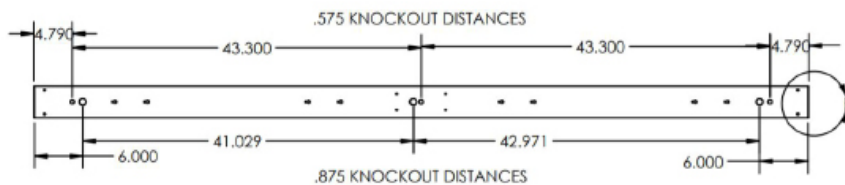
Type **S**  
Surface Mount  
Direct only



Type **WW**  
Wall Wash



#### 8FT Dimensions



Dimensions and specifications subject to change without notice.





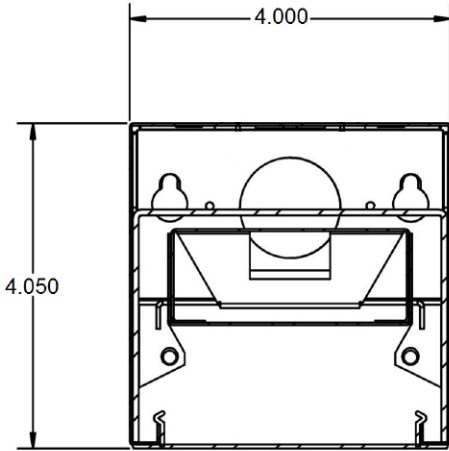
JOB NAME:

CAT#:

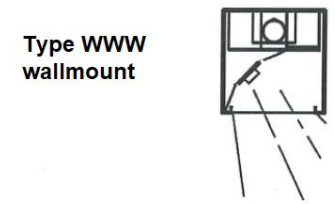
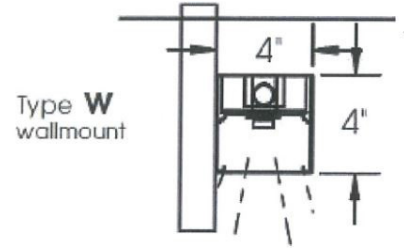
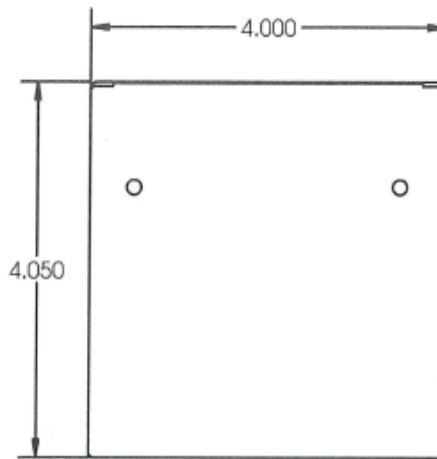
TYPE:

**DIMENSIONS**

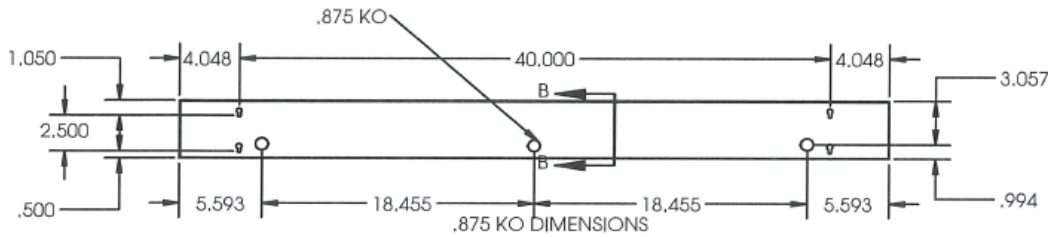
Side View - Pendant Mount



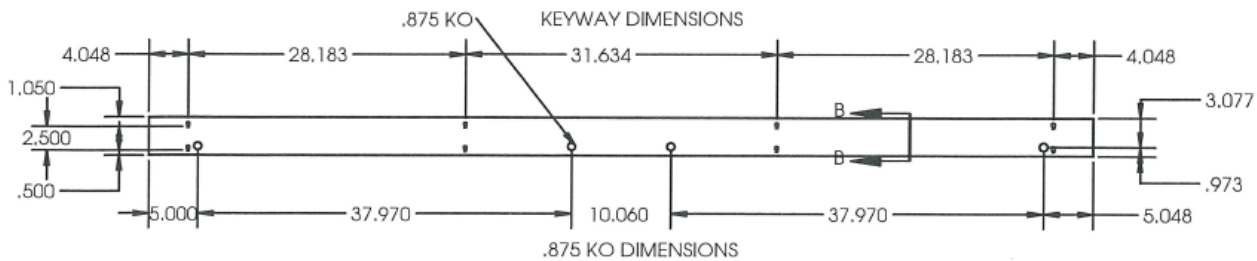
Side View - Wall Mount



**4FT Dimensions**



**8FT Dimensions**



Dimensions and specifications subject to change without notice.





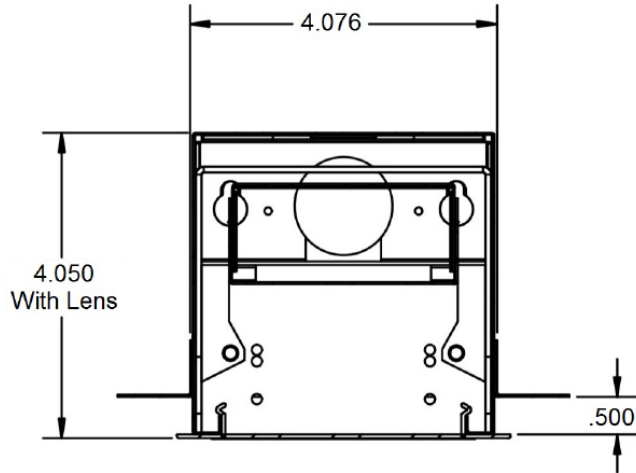
JOB NAME:

CAT#:

TYPE:

**DIMENSIONS**

Side View - Recessed



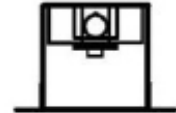
**Flange Details**

**Type RR**  
Recess for Drywall/  
Hard Ceiling  
-RR (1/2 inch)  
-RR650 (5/8 inch)  
-RRxxx (custom depth)



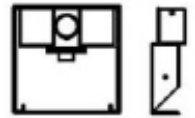
Flangeless  
Appearance

**Type RF**  
Flush for Drywall



Flanged  
Appearance

**Type R**  
For 1" T-bar



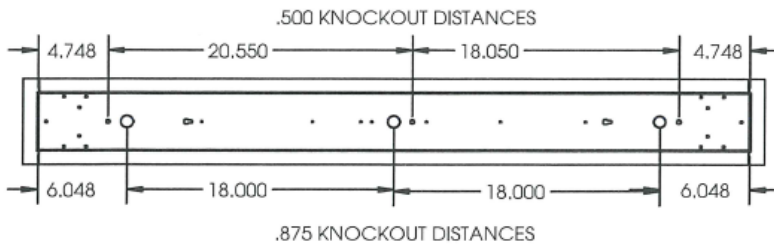
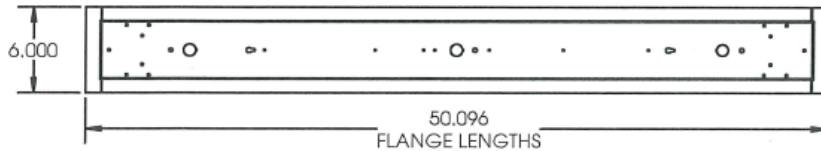
Flangeless  
Appearance

**Type RWW/RFWW/RRWW**  
-Recess Wall Wash



Flanged/  
Flangeless  
Appearance

**4FT-RR Dimensions**



Dimensions and specifications subject to change without notice.





JOB NAME:

CAT#:

TYPE:

**ORDERING**

EXAMPLE: L44R 48 LED 24 DMV WH MW 30 EM SS H4W P11

**LED**

1. SERIES	2. LENGTH	3. GEAR	4. WATTAGE/LUMENS	5. DRIVER	6. FINISH	7. LENS
<b>L44R</b> Recessed	<b>48</b> 48" long	<b>LED</b>	<b>4 ft &amp; 8 ft.</b>	<b>DMV</b> 120-277V Multivolt	<b>WH</b> Matte White	<b>MW*</b> Matte White (std) .100 thick regressed lens
<b>L44RF</b> Recessed Flange	<b>96</b> 96" long		<b>24</b> 24W 2400 Lumens <b>48</b> 48W 4800 Lumens <b>57</b> 57W 5400 Lumens	0-10V Dimmable	<b>SL</b> Silver <b>BK</b> Matte Black <b>BZ</b> Bronze <b>IN</b> Iron	<b>S.5</b> Specular Parabolic Louver (1/2"x1/2"x3/8")
<b>L66RR</b> Recessed Flangeless Appearance			<b>8 ft. only</b>	<b>SDMV</b> Step dimming Multivolt		<b>SF</b> Snap-in Frosted Lens -85% Transmission
<b>L44S</b> Surface Mount			<b>97</b> 97W 9600 Lumens <b>114</b> 114W 10800 Lumens	<b>LUT</b> Lutron Driver1		<b>LV</b> Baffled Louver
<b>L44W</b> Wall Mount						
<b>L44P</b> Pendant Mount						

\* MW lens on the 8' fixture requires a center support bracket to hold it in place

8. COLOR TEMP	9. REFLECTOR(O) <sup>2</sup>	10. EM(O) <sup>2</sup>	11. SENSOR(O) <sup>2</sup>	12. HANGING KIT(O) <sup>2</sup>
<b>30</b> 3000K	<b>Blank</b> Standard	<b>EM</b> Emergency Battery Pack 10W ~ 1700 lumens	<b>SS</b> Integral Occupancy Sensor	<b>H4W</b> Cable kit with 4 cable + power feed cable incl. w/ white canopy
<b>35</b> 3500K	<b>WW</b> Wall Wash	<b>EM5</b> Emergency Battery Pack 5W ~ 850 Lumens	<b>SNS200</b> ALC Qualified	<b>H4W5</b> Cable kit with 4' cable + power feed 0-10V dimming cable included w/ white canopy (5 wire)
<b>40</b> 4000K				<b>H4W6</b> Cable kit with 4' cable + power feed 0-10V dimming and EM cable incl. w/ white canopy (6 wire) (check local codes)
<b>50</b> 5000K				<b>H12W</b> Cable kit w/ 12' cable + power feed cable incl.w/ white canopy
				<b>H12W5</b> Cable kit w/ 12' cable + power feed 0-10V dimming. Cable included with white canopy (5 wire)

13. PLUG IN(O) <sup>2</sup>	14. CONFIGURATION
<b>P11</b> 3 wire harness, including white, black and green	<b>BLANK</b> Individual
<b>P12</b> 4 wire harness, including white, black, green and blue for emergency backup	<b>-B</b> Beginner Run
<b>P13D</b> 5 wire harness, including white, black, green, violet and gray	<b>-E</b> Ender Run
	<b>-J</b> Joiner

**Notes:**

\*See Lutron Chart for Driver & Controls Options

Dimensions and specifications subject to change without notice.





JOB NAME:

CAT#:

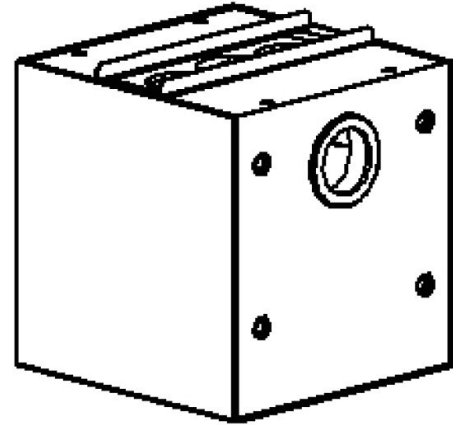
TYPE:

## L44 JOINER BOX

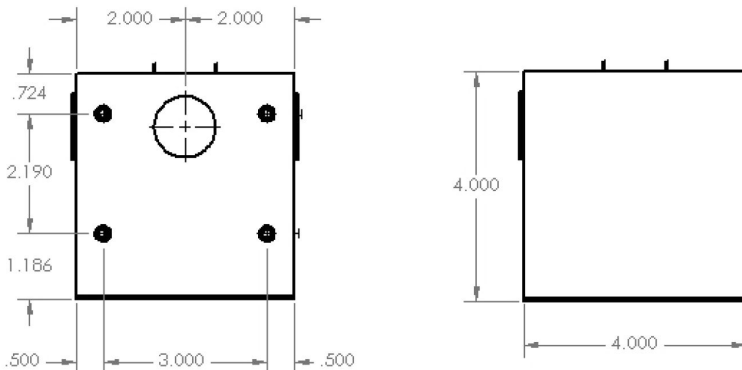
The L44 joiner box provides a sleek and modern solution for joining multiple linear fixtures to produce a visually appealing and continuous run. Easily create custom runs featuring 90° turns as well as “X” and “T” patterns. The joiner box is available in the same colors as the linear fixtures for the perfect match and finish.

## FEATURES AND BENEFITS

- Joiner box can be pendant hung by stem or cable
- Available in 1 way, 2 way, 3 way, and 4 way options
- Seamless design that is both fashionable and functional
- Formed and welded 22-gauge cold rolled steel
- Internal press in nuts creates ease in joining assembly
- Grommeted wire ways protect wiring



## DIMENSIONS



## ORDERING

EXAMPLE: L44\_JB -1WAY P WH A-HC301WH

1. SERIES	2. CONFIGURATION	3. HK	4. FINISH	5. OPTIONS
L44_JB	-1WAY -2WAY 90° -2WAY 180° -3WAY -4WAY	P Power NP Non-Power	WH White BK Black SL Silver IN Iron BZ Bronze	<b>A-HC301WH</b> Cable kit with 4' cable + power feed cable included with white canopy <b>A-HC301WH5W</b> Cable kit with 4' cable + power feed 0-10Vdimming cable included with white canopy (5 wire) <b>A-HC302WH</b> Cable kit with 12' cable + power feed cable included with white canopy <b>A-HC302WH5W</b> Cable kit with 12' cable + power feed 0-10Vdimming cable included with white canopy (5 wire)

Dimensions and specifications subject to change without notice.