



Texas Fluorescents  
Reinvented

CATALOG#: \_\_\_\_\_  
PROJECT: \_\_\_\_\_  
TYPE: \_\_\_\_\_

# Series L23R

## LED Recessed Linear Lines 2" X 3" for T Bar Ceiling

A linear 2 x 3 fixture for distinctive architectural lighting plans. Ideal for corridors, lobbies, conference rooms, medical facilities, and office areas, 2 x 3 Series fixtures can be installed individually or in a continuous run. Specially designed for direct lighting with snap in lens to hide the lamps or LED arrays.

### CONSTRUCTION

Die-formed and welded 22-gauge cold rolled steel. Knockouts on ends allow continuous wireway mounting. Housing is specially designed for direct lighting with separating power source compartments for each.

### DIFFUSERS

Special LED formulated frosted lenses with snap in feature for easy access.

### TYPICAL OPTIONS & ACCESSORIES

Cord sets, whips, occupancy sensors, etc.  
Contact factory for more details.



### DIMENSIONS

- 2ft. - 23.45"L x 2"W x 3"H
- 4ft. - 47.45"L x 2"W x 3"H
- 8ft. - 95.45"L x 2"W x 3"H

### FEATURES & BENEFITS

- For recessed mounting in a grid ceiling with engineered mounting kit.
- Attractive source of direct lighting for use in offices, hallways, conference rooms and medical facilities.
- Options include: Multiple lumen packages, choices of color temperature, Emergency Backup capability, or custom finishes (consult with factory)
- IC Rated for dry or damp location
- >50,000 hrs of L70 LED life
- CRI >80
- Power Factor >0.90
- 0-10 Volt dimmable 120-277V (120 ELV/TRIAC avail)
- 5 year warranty.





Texas Fluorescents  
Reinvented

CATALOG#: \_\_\_\_\_

PROJECT: \_\_\_\_\_

TYPE: \_\_\_\_\_

# Series L23R

LED Recessed Linear Lines  
2" X 3" for T Bar Ceiling

## ORDER INFORMATION

Factory at your fingertips. Fill in the blanks to create your part number or create a custom configuration.

SERIES	LENS MATERIAL	LENGTH	W		L		DRIVER		COLOR	
			WATTAGE*	& LUMENS*	DRIVER	DRIVER	COLOR	COLOR		
L23R Recess For 1" T-Bar Grid Ceiling	SF Snap-in frosted acrylic lens (85% transmission) Special for LEDs; only available for uplight and downlight	24L 23.45"	T13W1300L	13 Watts 1300 Lumens	DMV 0-10V Dimming	G120 ELV/TRIAC dimming at 120V only	30K 3000K 35K 3500K 40K 4000K 50K 5000K			
			T22W2200L	22 Watts 2200 Lumens						
			T26W2600L	26 Watts 2600 Lumens						
		48L 47.45"	T38W3800L	38 Watts 3800 Lumens	D1MV 0-10V Dimming (dim to 1%)					
			T45W4500L	45 Watts 4500 Lumens						
			T52W5200L	52 Watts 5200 Lumens						
		96L 95.45"	T76W7600L	76 Watts 7600 Lumens						
			T90W9000L	90 Watts 9000 Lumens						

## Additional Options

CRI**		FINISH	
Blank	80 CRI	WH	White
90	90 CRI	BK	Black
		SI	Silver

**Note:**

\*Programmable LED drivers allow custom configured wattages and corresponding lumens.

\*\* Consult factory for 90CRI 5000K availability

We reserve the right to change design, materials, LEDs and finish in any way that will not alter installed appearance or reduce function and performance.

2055 Luna Road Suite 142 | Carrollton, TX 75006

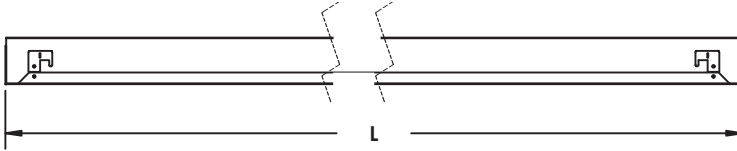
T 214.884.1150 | F 972.247.0200 | sales@saylite.com

REV 03/04/2020

## Series L23R

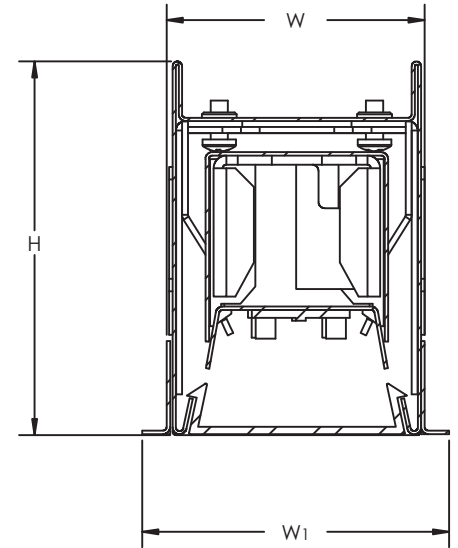
LED Recessed Linear Lines  
2" X 3" for T Bar Ceiling

### RECESSED MOUNT (R) DRAWINGS & DIMENSIONS

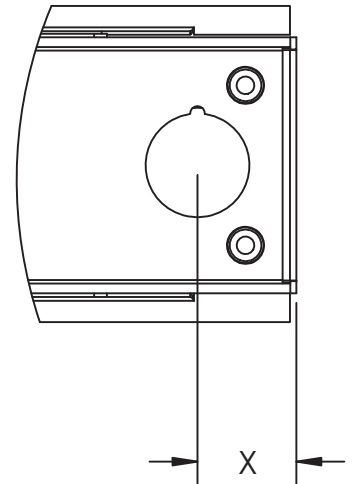


PART	L	W	W <sub>1</sub>	H	X
L23R24L	23.45"	2.00"	2.47"	3.08"	0.773"
L23R48L	47.45"	2.00"	2.47"	3.08"	0.773"
L23R72L	71.45"	2.00"	2.47"	3.08"	0.773"
L23R96L	95.45"	2.00"	2.47"	3.08"	0.773"

End Side View



End Top View



L-Length  
W-Width  
H-Height  
X-Knock Out Distance

### REPLACEMENT LENS ORDERING INFORMATION

PART NO.	DESCRIPTION
0L23RSF24L	Replacement Snap in Frosted lens for 24"
0L23RSF48L	Replacement Snap in Frosted lens for 48"
0L23RSF96L	Replacement Snap in Frosted lens for 96"