



JOB NAME:

CAT#:

TYPE:

### APPLICATIONS

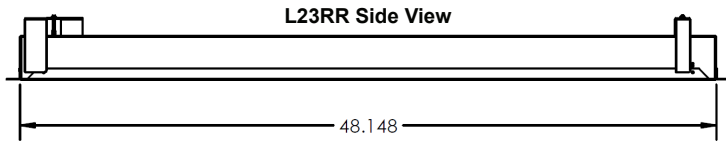
A linear 2x3 fixture for distinctive architectural lighting plans. Ideal for corridors, lobbies and office areas, 2x3 Series fixtures can be installed individually or in a continuous run. Specifically designed for direct lighting with snap-in lens to hide the LED arrays.

### FEATURES & BENEFITS

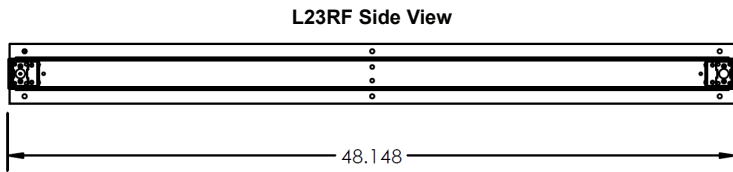
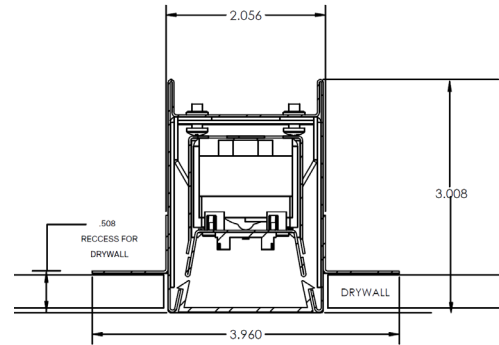
- Available in custom finishes (consult factory)
- IC Rated
- $c_{ETL}_{US}$  listed for damp locations up to 90 watts
- $L_{70} > 50,000$  hrs.
- Min CRI 80
- PL3D comes standard (fixture to fixture wiring options for power and dimming)
- 5 year warranty



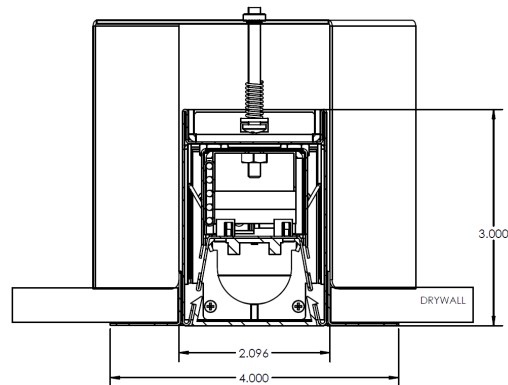
### DIMENSIONS



**L23RR End View**



**L23RF End View**



**Dimension In Inches**

- 24 in. 2"W x 24"L x 3"H
- 48 in. 2"W x 48.1"L x 3"H
- 96 in. 2"W x 96"L x 3"H

Dimensions and specifications subject to change without notice.



**JOB NAME:**
**CAT#:**
**TYPE:**
**ORDERING**

EXAMPLE: L23RR 24 LED 13 DMV BK SF 30

L23RR		LED		SF			
1. SERIES	2. LENGTH	3. GEAR	4. WATTAGE/LUMENS	5. DRIVER	6. FINISH	7. LENS	
<b>L23RR</b>	Recessed Flangeless appearance for use in 1/2" drywall	<b>24</b> 24" <b>48</b> 48" <b>96</b> 96"	<b>LED</b>	<b>24 in.</b> <b>13</b> 13 Watts 1300 Lumens <b>19</b> 19 Watts 1900 Lumens <b>23</b> 23 Watts 2300 Lumens	<b>DMV</b> 120-277V Multivolt 0-10V Dimmable <b>SDMV</b> Step dimming Multivolt <b>LUT</b> Lutron Driver <sup>1</sup> <b>D347V</b> 347VAC 0-10V Dimming <b>TDMV</b> 120-277 VAC input-Triac Dimming at 120VAC only	<b>BK</b> Black <b>SI</b> Silver <b>WH</b> White	<b>SF</b> Snap-in Frosted Acrylic Lens (85% transmission)
<b>L23RR625</b>	Recessed Flangeless appearance for use in 5/8" drywall		<b>48 in.</b> <b>26</b> 26 Watts 2600 Lumens <b>38</b> 38 Watts 3800 Lumens <b>45</b> 45 Watts 4500 Lumens				
<b>L23RF</b>	Surface Flange-Exposed Flange		<b>96 in.</b> <b>52</b> 52 Watts 5200 Lumens <b>76</b> 76 Watts 7600 Lumens <b>90</b> 90 Watts 9000 Lumens				
<b>L23RFPF</b>	Surface Flange-Exposed Flange for after drywall installation for mud in applications						
8. COLOR TEMP		9. CONFIGURATION					
<b>30</b> 3000K	<b>Blank</b> Individual						
<b>35</b> 3500K	<b>-B</b> Beginner Run						
<b>40</b> 4000K	<b>-E</b> Ender Run						
<b>50</b> 5000K	<b>-J</b> Joiner Run						

**ACCESSORIES**

Lumens are subject to a tolerance of ±10% and not relevant to RGB  
 Input wattage can vary depending on options  
 Dimensions and specifications subject to change without notice.

**NOTES:**
<sup>1</sup>Consult Factory for Lutron Gear

Dimensions and specifications subject to change without notice.

