



CATALOG#:

PROJECT:

TYPE:

# Series PPF

## LED Area Light (Medium & Large)

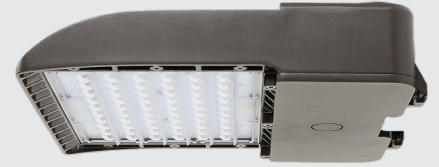
Slick, modern Series PPF luminaires are designed to handle any environment. With a beautiful slimline design, along with one of the highest lumen performances on the market, this versatile fixture series can be used as flood lighting or area lighting with a multitude of mounting options. Energy savings of up to 60% are possible compared with HID or fluorescent. The PPF delivers 50,000 hours of lumen maintenance in a wide range of commercial and industrial lighting applications. PPF fixtures have also been engineered to withstand significant voltage surges common in large venues and operate in ambient temperatures up to 45°C. Three different lighting distribution patterns are offered: Type III and Type IV and Type VS.

### CONSTRUCTION

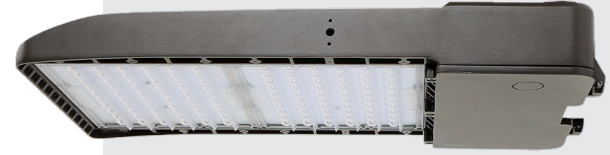
One piece die-cast aluminum housing with UV resistant polycarbonate optical lens, outstanding corrosion protection.

### TYPICAL OPTIONS & ACCESSORIES

Round pole, square pole, slipfitter or wall options. Multiple finish options (bronze, black, white and silver). A knockout on the bottom of the body allows adding a sensor easily and economically for enhanced energy savings and performance. Contact factory for additional details.



Medium Size: 150W/200W



Large Size: 300W

### DIMENSIONS

See page 3 for details.

### FEATURES & BENEFITS

- Lumen output 18000-42300lm with efficacy to 141lm/W
- Various distribution patterns including Type III, Type IV and Type VS
- Suitable for mounting heights ranging from 26-40' in area lighting applications
- Round pole, square pole, slipfitter or wall mount
- Optional photocell or motion sensor
- Voltage is 120-277V /347-480V and support 1-10V dimmable
- Fixtures are suitable for use in ambients from -40°C to 45°C (-40°F-113°F)
- Expected service life is over 100,000 hrs and 10 year limited warranty
- UL wet location listed
- 5 year warranty.



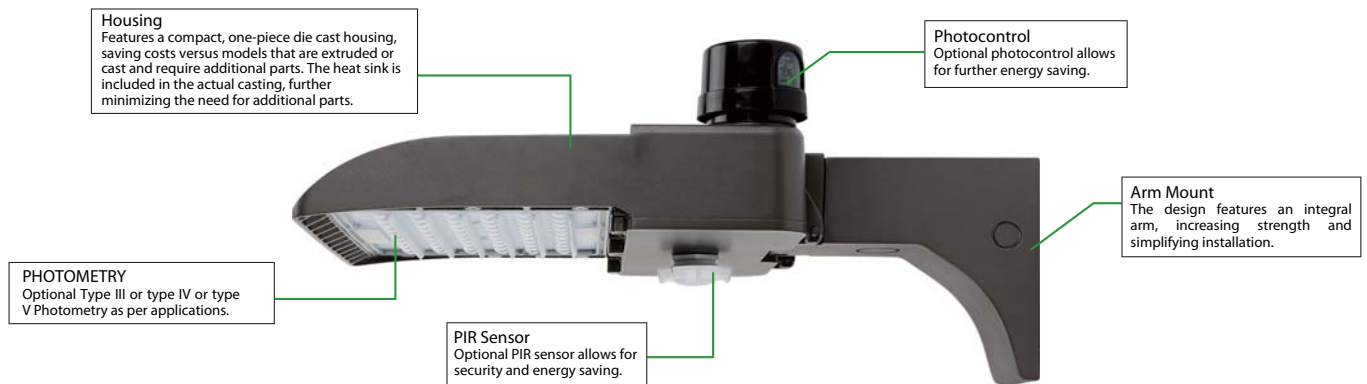
## ORDER INFORMATION

Factory at your fingertips. Fill in the blanks to create your part number or create a custom configuration.

SERIES	PHOTOMETRY		SIZE		WATTAGE* & LUMENS*		DRIVER		COLOR/CRI		FINISH	
PPF	Blank	Type III	15L	15"	150W19500L	150 Watts 19500 Lumens	DMV	0-10V Dimming	40K	4000K	WH	White
	T4	Type IV			200W26000L	200 Watts 26000 Lumens	D480	347V-480V	50K	5000K	BK	Black
	T5	Type VS	23L	23"	300W39000L	300 Watts 39000 Lumens					SL	Silver
											BZ	Bronze

OPTIONS	
PC	Photocell 120/277V
PC347	Photocell 347V
PC480	Photocell 480V
FSP211L2**	Occupancy Sensor 120V-277V
PLFRARM	Round Pole Mounting Arm Bronze
PLFSARM	Square Pole Mounting Arm Bronze
PLFSW	Slip Fitter Mounting Bronze
PLF15YK	Yoke Mount for PPF15 Series Bronze
PLF23TR	Trunnion Fitter for PPF23 Bronze
PLFWARM	Wall Mounting Bronze

## STRUCTURE



**Note:**

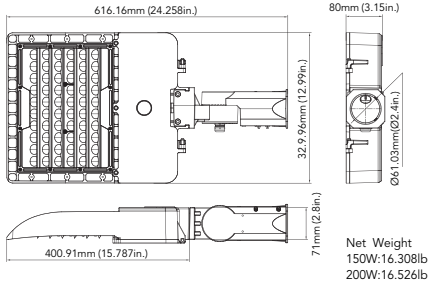
\*Programmable LED drivers allow custom configured wattages and corresponding lumens.

\*\* Consult factory for more sensor options.

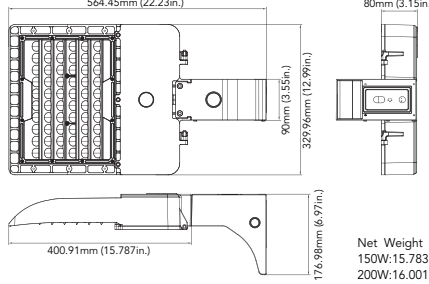
We reserve the right to change design, materials, LEDs and finish in any way that will not alter installed appearance or reduce function and performance.

### DRAWINGS & IMAGES

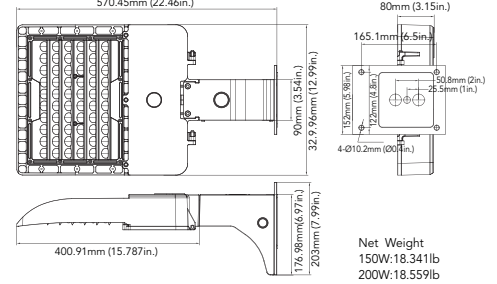
Slipfitter Mount (150W&200W)



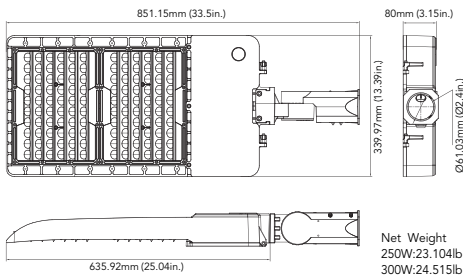
Pole Mount (150W&200W)



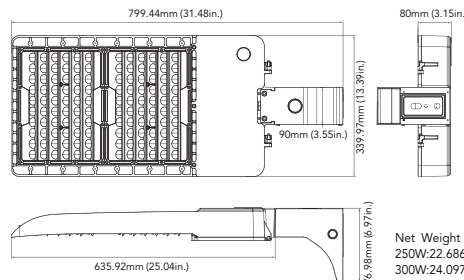
Wall Mount (150W&200W)



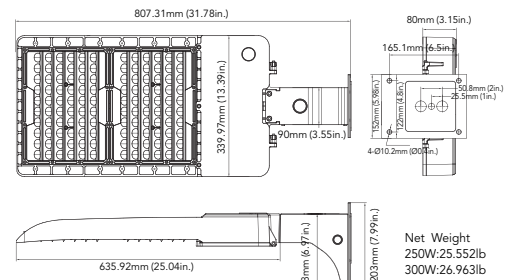
Slipfitter Mount (250W&300W)










Pole Mount (250W&300W)



Wall Mount (250W&300W)



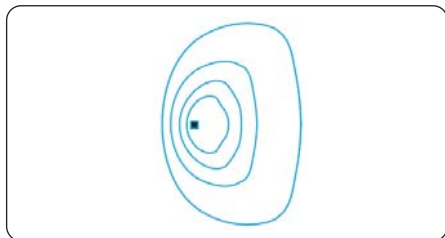
### EPA OF AREA LIGHT

Item							
	1	2 @90°	2 @120°	2@180°	3 @90°	3 @120°	4 @90°
150W/200W	0.4418	0.7145	0.8813	0.8836	1.0548	1.0135	1.0548
250W/300W	0.5614	0.8471	1.105	1.1228	1.294	1.2503	1.294

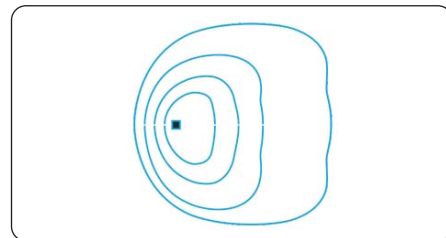
### PHOTOMETRICS

Offers a complete set of optical systems to meet every site lighting requirement. These systems provide remarkable flexibility in precisely matching light distribution patterns to specific site requirements.

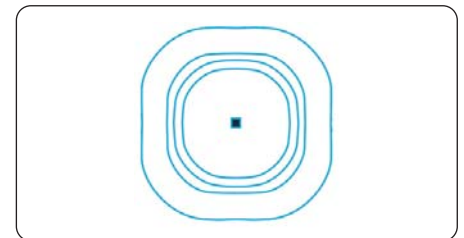
Type III:  
 Type III optics produce an asymmetrical pattern that directs the majority of the light forward and equally on both sides of the luminaire. In a back-to-back configuration, it creates a rectangular pattern which can extend pole spacings.



Type IV:  
 Type IV is suitable for applications where light is primarily required forward with minimal backlight. Typical installations include perimeter poles.



Type VS:  
 Type VS optics produce a symmetrical square distribution pattern that distributes light equally on all sides of the luminaire. Type VS luminaires are universal for most area lighting applications.





CATALOG#: \_\_\_\_\_  
 PROJECT: \_\_\_\_\_  
 TYPE: \_\_\_\_\_

# Series PPF

LED Area Light (Medium & Large)

## PERFORMANCE DATA

SYSTEM WATTS	DIST. TYPE	4000K(70CRI)					5000K(70CRI)				
		LUMENS	LPW	B	U	G	LUMENS	LPW	B	U	G
150W	III	19500lm	130 lm/W	3	0	2	19700lm	131 lm/W	3	0	2
	IV	18000lm	120 lm/W	3	0	3	18500lm	123 lm/W	3	0	3
	VS	21000lm	140 lm/W	4	0	2	21150lm	141 lm/W	4	0	2
200W	III	26000lm	130 lm/W	3	0	2	26200lm	131 lm/W	3	0	2
	IV	24000lm	120 lm/W	3	0	3	24500lm	123 lm/W	3	0	3
	VS	27000lm	135 lm/W	4	0	2	27200lm	136 lm/W	4	0	2
250W	III	33000lm	132 lm/W	4	0	3	33250lm	133 lm/W	4	0	3
	IV	30000lm	120 lm/W	4	0	3	30500lm	122 lm/W	4	0	3
	VS	35000lm	140 lm/W	5	0	2	35250lm	141 lm/W	5	0	2
300W	III	39000lm	130 lm/W	4	0	3	39300lm	131 lm/W	4	0	3
	IV	36000lm	120 lm/W	4	0	4	37590lm	125 lm/W	4	0	4
	VS	42000lm	140 lm/W	5	0	2	42300lm	141 lm/W	5	0	2

## ELECTRICAL DATA

Number Of Drivers	Driver Current (mA)	Nominal Power (W)	INPUT VOLTAGE (V)	CURRENT (Amps)
1	3900	150	120	1.25
		150	208	0.72
		150	240	0.63
		150	277	0.54
		150	347	0.43
1	5100	150	480	0.31
		200	120	1.67
		200	208	0.96
		200	240	0.83
		200	277	0.72
1	6400	200	347	0.58
		200	480	0.42
		250	120	2.08
		250	208	1.20
		250	240	1.04
1	6000	250	277	0.90
		250	347	0.72
		250	480	0.52
		300	120	2.50
		300	208	1.44
1	6000	300	240	1.25
		300	277	1.08
		300	347	0.86
		300	480	0.63

### MOUNTING

- Standard versatile mounting arm accommodates multiple drilling patterns as well as square and round poles
- Wall Mount available for direct wall mounting and J-box mounting
- Optional for cast aluminum slipfitter mounting adapter (Compatible with more mounting adaptors such as Tenon, suited for various application)

### Mounting Options



**SARM - Square Arm Mount**

**RARM - Round Arm Mount**  
 (4" and 5" Square and Round poles)

Versatile mounting arm is simple to install and can be used with existing poles for retrofit installations.



**SW - Slipfitter Mount**

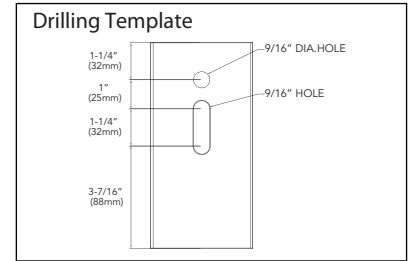
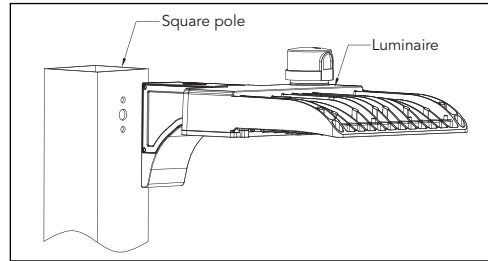
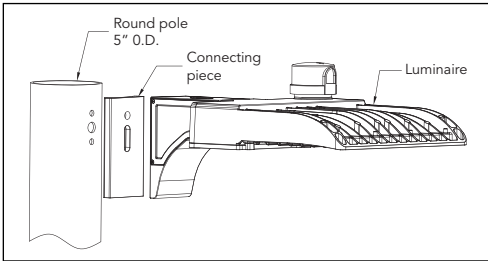
An optional cast aluminum mast arm adapter secures fixture head to nominal 2"(2-3/8" O.D. pipe size) horizontal steel tenon arm.






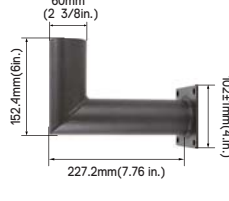
**WARM - Wall Mount**

Wall Mount is easy to install for direct wall mounting with 1/2" conduit wiring or standard J-box mounting

### Pole Mounting Methods



### ADDITIONAL MOUNTING ACCESSORIES

POLE BRACKET • For mounting one fixture on an existing pole		WALL BRACKET • Attaches to any flat surface • Provides wiring access	
 <p>60mm (2 3/8 in.)            183.6mm (7.228 in.)            76mm (3 in.)            102±1mm (4 in.)</p>	<p><b>TEN4 - 4" Square Pole Mount with 2-3/8" O.D. Tenon</b></p> <p>Finish: Dark Bronze            USE: For use with square, non-tapered steel and aluminum poles. Furnished with four 5/16" hex head stainless-steel bolts. Vertical tenon measures 2-3/8" O.D., and is made of steel tubing. Fixtures mounted to this bracket can be adjusted both vertically and horizontally.</p>	 <p>154.5±1mm (6.08 in.)            108.6mm (4.28 in.)            102±1mm (4 in.)            63mm (2.48 in.)</p>	<p><b>TEN4TRD - Pole Bracket accessories-Tenon &amp; Yoke Adaptor</b></p> <p>Finish: Dark Bronze            USE: The 2-3/8" OD Tenon Mount Adaptor for Yoke Fixtures is designed to mount on a light fixtures that are equipped with a yoke mount onto a 2-3/8" OD tenon.</p>
 <p>60mm (2 3/8 in.)            183.6mm (7.228 in.)            76mm (3 in.)            127±1mm (5 in.)</p>	<p><b>TEN5 - 5" Square Pole Mount with 2-3/8" O.D. Tenon</b></p> <p>Finish: Dark Bronze            USE: For use with square, non-tapered steel and aluminum poles. Furnished with four 5/16" hex head stainless-steel bolts. Vertical tenon measures 2-3/8" O.D., and is made of steel tubing. Fixtures mounted to this bracket can be adjusted both vertically and horizontally.</p>	 <p>60mm (2 3/8 in.)            152.4mm (6 in.)            227.2mm (7.76 in.)            102±1mm (4 in.)</p>	<p><b>WMV - 90° Wall Mount Bracket with 2-3/8" O.D. Tenon</b></p> <p>Finish: Dark Bronze            USE: The 90° wall mount bracket with 2-3/8" tenon attaches a floodlight to almost any surface: wall, roof, or wood pole. Provides wiring access and a built-in 2-3/8" O.D. tenon to mount a fixture with our adjustable slipfitter. Suggested 3/8" diameter bolts for mounting. Mounting holes are spaced 3-1/4" apart.</p>



CATALOG# : \_\_\_\_\_  
 PROJECT : \_\_\_\_\_  
 TYPE : \_\_\_\_\_

# Series PPF

LED Area Light (Medium & Large)

## DLC LISTED

ITEM NUMBER
PPF15L150W19500LD48040K[BLANK,BK,GY,WH][Blank,PC] [Blank,FSP211L2,FSP211L3,FSP211L7,FSP212DL2,FSP212DL3,FSP212DL7][BLANK,SW,WM]
PPF15L150W19500LD48050K[BLANK,BK,GY,WH][Blank,PC] [Blank,FSP211L2,FSP211L3,FSP211L7,FSP212DL2,FSP212DL3,FSP212DL7][BLANK,SW,WM]
PPF15L150W19500LDMV40K[BLANK,BK,GY,WH][Blank,PC] [Blank,FSP211L2,FSP211L3,FSP211L7,FSP212DL2,FSP212DL3,FSP212DL7][BLANK,SW,WM]
PPF15L150W19500LDMV50K[BLANK,BK,GY,WH][Blank,PC] [Blank,FSP211L2,FSP211L3,FSP211L7,FSP212DL2,FSP212DL3,FSP212DL7][BLANK,SW,WM]
PPF15L200W26000LD48040K[BLANK,BK,GY,WH][Blank,PC] [Blank,FSP211L2,FSP211L3,FSP211L7,FSP212DL2,FSP212DL3,FSP212DL7][BLANK,SW,WM]
PPF15L200W26000LD48050K[BLANK,BK,GY,WH][Blank,PC] [Blank,FSP211L2,FSP211L3,FSP211L7,FSP212DL2,FSP212DL3,FSP212DL7][BLANK,SW,WM]
PPF15L200W26000LDMV40K[BLANK,BK,GY,WH][Blank,PC] [Blank,FSP211L2,FSP211L3,FSP211L7,FSP212DL2,FSP212DL3,FSP212DL7][BLANK,SW,WM]
PPF15L200W26000LDMV50K[BLANK,BK,GY,WH][Blank,PC] [Blank,FSP211L2,FSP211L3,FSP211L7,FSP212DL2,FSP212DL3,FSP212DL7][BLANK,SW,WM]
PPF23L300W39000LD48040K[BLANK,BK,GY,WH][Blank,PC] [Blank,FSP211L2,FSP211L3,FSP211L7,FSP212DL2,FSP212DL3,FSP212DL7][BLANK,SW,WM]
PPF23L300W39000LD48050K[BLANK,BK,GY,WH][Blank,PC] [Blank,FSP211L2,FSP211L3,FSP211L7,FSP212DL2,FSP212DL3,FSP212DL7][BLANK,SW,WM]
PPF23L300W39000LDMV40K[BLANK,BK,GY,WH][Blank,PC] [Blank,FSP211L2,FSP211L3,FSP211L7,FSP212DL2,FSP212DL3,FSP212DL7][BLANK,SW,WM]
PPF23L300W39000LDMV50K[BLANK,BK,GY,WH][Blank,PC] [Blank,FSP211L2,FSP211L3,FSP211L7,FSP212DL2,FSP212DL3,FSP212DL7][BLANK,SW,WM]

