

Series L23

LED Wall Mount, Surface or Pendant Mount Linear Fixture

A linear 2 x 3 fixture for distinctive architectural lighting plans. Ideal for corridors, lobbies, and office areas, 2 x 3 Series fixtures can be installed individually or in a continuous run. Specially designed for direct/indirect lighting with snap in lens to hide the LED arrays. Ideal where downlight and uplight are required.

CONSTRUCTION

Die-formed and welded 22-gauge cold rolled steel. Knockouts on ends allow continuous wireway mounting. Housing is specially designed for direct/indirect lighting with separating power source compartments for each.

DIFFUSERS

Specially formulated LED frosted lenses with snap in feature for easy access.

TYPICAL OPTIONS & ACCESSORIES

Cord sets, whips, occupancy sensors, hanging kits, etc. Contact factory for more details.



DIMENSIONS

2ft.-2"W x 24"L x 3"H

4ft.-2"W x 48"L x 3"H

8ft.-2"W x 96"L x 3"H

SPECIFICATIONS

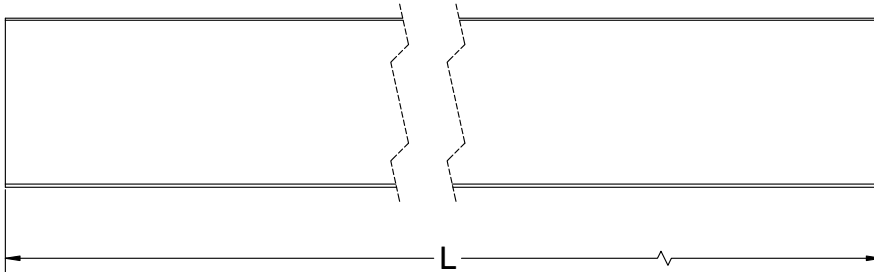
- Wall, surface, and pendant mount kits available
- Attractive source of direct or indirect lighting for use in offices, hallways, conference rooms and medical facilities
- Available in custom finish. Consult factory for details
- Emergency Backup options available
- Driver conforms to FCC Title 47 Part 15 Class A
- Suitable for dry or damp location
- 50,000 hrs of L70 LED life
- CRI >80, consult for 90 CRI options
- 120-277V
- Power Factor 0.99
- 115 lm/W
- 0-10V dimming
- 5 year warranty



Series L23

LED Wall Mount, Surface or
 Pendant Mount Linear Fixture

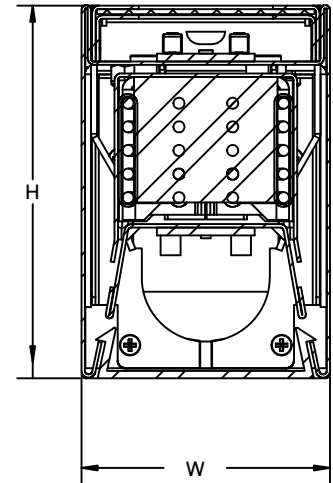
PENDANT MOUNT DRAWINGS AND DIMENSIONS



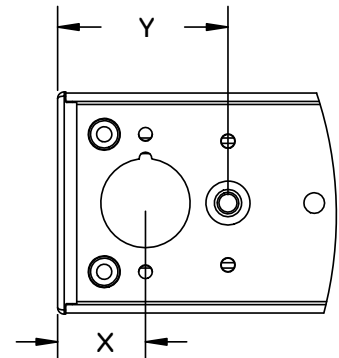
PART	L	W	H	X	Y
L23P12L	12.00"	2.00"	3.00"	0.80"	1.55"
L23P24L	24.00"	2.00"	3.00"	0.80"	1.55"
L23P36L	36.00"	2.00"	3.00"	0.80"	1.55"
L23P48L	48.00"	2.00"	3.00"	0.80"	1.55"
L23P60L	60.00"	2.00"	3.00"	0.80"	1.55"
L23P72L	72.00"	2.00"	3.00"	0.80"	1.55"
L23P84L	84.00"	2.00"	3.00"	0.80"	1.55"
L23P96L	96.00"	2.00"	3.00"	0.80"	1.55"

L-Length
 W-Width
 H-Height
 X-Knock Out Distance
 Y-Hanging Kit Distance

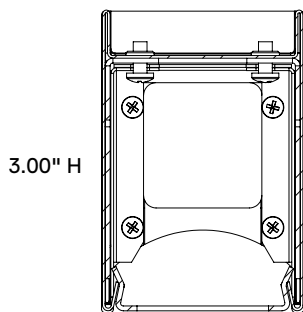
End Side View



End Top View

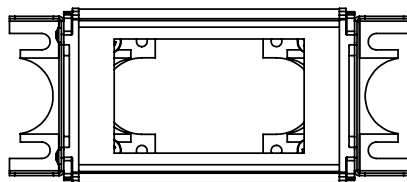


SENSOR BOX DRAWINGS & DIMENSIONS

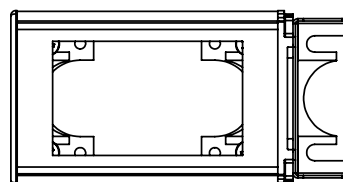


3.00" H

2.00"W



Sensor Box for Continuous
 Run Application



Sensor Box

Occupancy Sensor

- Self-Contained Relay,
- No Power Pack Needed
- No Minimum Load Requirements
- Interchangeable Hot & Load Wires,
- Impossible to Wire Backwards
- Push-Button Programmable
- Adjustable Time Delays
- No Field Calibration or Sensitivity
- Adjustments Required Convenient
- Test Mode
- 100 hr Lamp Burn-in Timer Green
- LED Indicator

Physical Specs

- SIZE 2.25" H x 1.38" W x 0.82" D
 (5.715 cm x 3.51 cm x 2.08 cm)
- WEIGHT 4 oz
- MOUNTING Snaps into 2 3/16" H x 1 5/16" W
 x 1" D cavity in fixture
- COLOR White

ORDERING GUIDE

2 Ft.

SERIES	MOUNTING	DIFFUSER	LENGTH	GEAR	UP WATTAGE* ¹	DOWN WATTAGE*
L23	P Pendant	SF Snap-in frosted acrylic lens (85% transmission) Special for LEDs; only available for upright and downlight	24 24"	LT	U6 6 Watts 510 Lumens	D12 12 Watts 1100 Lumens
SSL23 Occupancy Sensor (ON when occupied, OFF when not)					U9 9 Watts 765 Lumens	D18 18 Watts 1700 Lumens
						<u>Downlight Only</u>
						D13 13 Watts 1430 Lumens
						D19 19 Watts 2090 Lumens
						D23 23 Watts 2530 Lumens

DRIVER	FINISH ²	CCT	CONFIGURATION
DMV 0-10V dimming	WH White	30K 3000K	Blank Individual
	BK Black	35K 3500K	-B Beginner Run
	SI Silver	40K 4000K	-E Ender Run
	CC Custom Color	50K 5000K	-J Joiner

OPTIONS

HANGING KIT

HC605WH	Cable kit with 6' cable & 5 wires power feed/cable incl., clear cord and white canopy (included power feed and non-power feed)
HC605WHNPF	Cable kit with 6' cable & white canopy, non power feed (non-power feed only)
HC612WH	Cable kit with 12' cable & 5 wires power feed/cable incl., clear cord and white canopy (included power feed and non-power feed)
HC612WHNPF	Cable kit with 12' cable & white canopy, non power feed (non-power feed only)

Note:

1. Uplight and downlight not available in combination for 2 ft fixtures. Consult factory for more information.
2. RAL custom finishes also available. Consult factory for more information or pricing requests.

*Programmable LED drivers allow custom configured wattages and corresponding lumens.

We reserve the right to change design, materials, LEDs and finish in any way that will not alter installed appearance or reduce function and performance.

ORDERING GUIDE

4 Ft. and 8 Ft.

SERIES	MOUNTING	DIFFUSER	LENGTH	GEAR	UP WATTAGE*	DOWN WATTAGE*
L23 SSL23 Occupancy Sensor (ON when occupied, OFF when not)	P Pendant	SF Snap-in frosted acrylic lens (85% transmission) Special for LEDs; only available for upright and downlight	48 48"	LT	U12 12 Watts 1020 Lumens U18 18 Watts 1530 Lumens	D24 24 Watts 2640 Lumens D36 36 Watts 3960 Lumens <u>Downlight Only</u> D26 26 Watts 2860 Lumens D38 38 Watts 4180 Lumens D45 45 Watts 4950 Lumens
			96 96"	LT	U24 24 Watts 2040 Lumens U36 36 Watts 3060 Lumens	D48 48 Watts 5280 Lumens D72 72 Watts 7920 Lumens <u>Downlight Only</u> D52 52 Watts 5720 Lumens D76 76 Watts 8360 Lumens D90 90 Watts 9900 Lumens

DRIVER	FINISH ¹	CCT	CONFIGURATION
DMV 0-10V dimming	WH White	30K 3000K 35K 3500K	Blank Individual
	BK Black	40K 4000K 50K 5000K	-B Beginner Run
	SI Silver		-E Ender Run
	CC Custom Color		-J Joiner

OPTIONS	
EMERGENCY	HANGING KIT
EM14 14W Emergency battery backup (integrated in fixtures 4' and longer)	HC605WH Cable kit with 6' cable & 5 wires power feed/cable incl., clear cord and white canopy (included power feed and non-power feed)
	HC605WHNPF Cable kit with 6' cable & white canopy, non power feed (non-power feed only)
	HC612WH Cable kit with 12' cable & 5 wires power feed/cable incl., clear cord and white canopy (included power feed and non-power feed)
	HC612WHNPF Cable kit with 12' cable & white canopy, non power feed (non-power feed only)

Note:

1. RAL custom finishes also available. Consult factory for more information or pricing requests.

*Programmable LED drivers allow custom configured wattages and corresponding lumens.

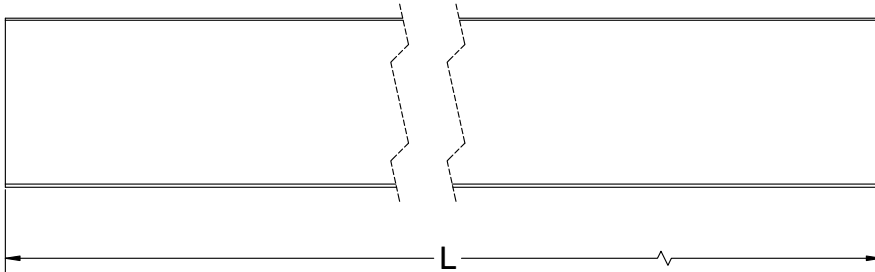
We reserve the right to change design, materials, LEDs and finish in any way that will not alter installed appearance or reduce function and performance.

CATALOG#: _____
 PROJECT: _____
 TYPE: _____

Series L23

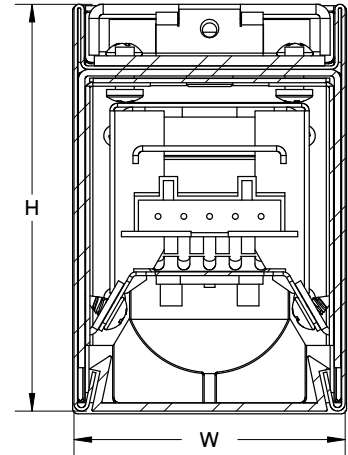
LED Wall Mount, Surface or
 Pendant Mount Linear Fixture

SURFACE MOUNT DRAWINGS AND DIMENSIONS

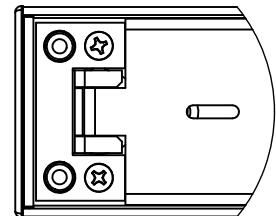


PART	L	W	H	L-Length W-Width H-Height
L23S12L	12.00"	2.00"	3.00"	
L23S24L	24.00"	2.00"	3.00"	
L23S36L	36.00"	2.00"	3.00"	
L23S48L	48.00"	2.00"	3.00"	
L23S60L	60.00"	2.00"	3.00"	
L23S72L	72.00"	2.00"	3.00"	
L23S84L	84.00"	2.00"	3.00"	
L23S96L	96.00"	2.00"	3.00"	

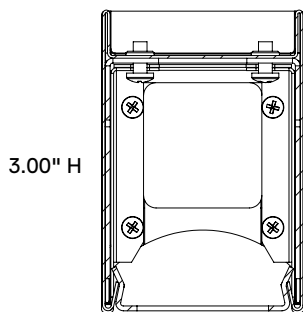
End Side View



End Top View



SENSOR BOX DRAWINGS & DIMENSIONS



2.00\"W

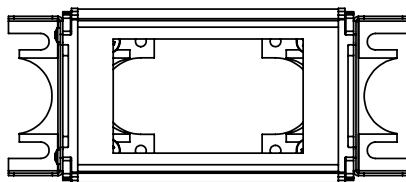


Occupancy Sensor

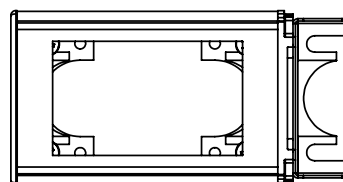
- Self-Contained Relay,
- No Power Pack Needed
- No Minimum Load Requirements
- Interchangeable Hot & Load Wires,
- Impossible to Wire Backwards
- Push-Button Programmable
- Adjustable Time Delays
- No Field Calibration or Sensitivity
- Adjustments Required Convenient
- Test Mode
- 100 hr Lamp Burn-in Timer Green
- LED Indicator

Physical Specs

- SIZE 2.25\" H x 1.38\" W x 0.82\" D
- (5.715 cm x 3.51 cm x 2.08 cm)
- WEIGHT 4 oz
- MOUNTING Snaps into 2 3/16\" H x 1 5/16\" W
- x 1\" D cavity in fixture
- COLOR White



Sensor Box for Continuous
 Run Application



Sensor Box

We reserve the right to change design, materials, LEDs and finish in any way that will not alter installed appearance or reduce function and performance.

ORDERING GUIDE 2 Ft.

SERIES	MOUNTING	DIFFUSER	LENGTH	GEAR	UP WATTAGE ¹	DOWN WATTAGE ¹
L23 SSL23 Occupancy Sensor (ON when occupied, OFF when not)	S Surface	SF Snap-in frosted acrylic lens (85% transmission) Special for LEDs; only available for upright and downlight	24 24"	LT	U6 6 Watts 600 Lumens	D12 12 Watts 1100 Lumens
					U9 9 Watts 850 Lumens	D18 18 Watts 1700 Lumens
<u>Downlight Only</u>						
						D13 13 Watts 1450 Lumens
						D19 19 Watts 2150 Lumens
						D23 23 Watts 2600 Lumens

DRIVER	FINISH ¹	CCT	CONFIGURATION
DMV 0-10V dimming	WH White	30K 3000K 35K 3500K	Blank Individual
	BK Black	40K 4000K 50K 5000K	-B Beginner Run
	SI Silver		-E Ender Run
	CC Custom Color		-J Joiner

OPTIONS

HANGING KIT

HC605WH	Cable kit with 6' cable & 5 wires power feed/cable incl., clear cord and white canopy (included power feed and non-power feed)
HC605WHNPF	Cable kit with 6' cable & white canopy, non power feed (non-power feed only)
HC612WH	Cable kit with 12' cable & 5 wires power feed/cable incl., clear cord and white canopy (included power feed and non-power feed)
HC612WHNPF	Cable kit with 12' cable & white canopy, non power feed (non-power feed only)

Note:

1. RAL custom finishes also available. Consult factory for more information or pricing requests.

*Programmable LED drivers allow custom configured wattages and corresponding lumens.

We reserve the right to change design, materials, LED's and finish in any way that will not alter installed appearance or reduce function and performance.

ORDERING GUIDE

4 Ft. and 8 Ft.

SERIES	MOUNTING	DIFFUSER	LENGTH	GEAR	UP WATTAGE ¹	DOWN WATTAGE ¹
L23 SSL23 Occupancy Sensor (ON when occupied, OFF when not)	S Surface	SF Snap-in frosted acrylic lens (85% transmission) Special for LEDs; only available for upright and downlight	48 48"	LT	U12 12 Watts 1100 Lumens U18 18 Watts 1700 Lumens	D24 24 Watts 2200 Lumens D36 36 Watts 3350 Lumens <u>Downlight Only</u> D26 26 Watts 2400 Lumens D38 38 Watts 3500 Lumens D45 45 Watts 4200 Lumens
			96 96"	LT	U24 24 Watts 2200 Lumens U36 36 Watts 3350 Lumens	D48 48 Watts 4450 Lumens D72 72 Watts 6700 Lumens <u>Downlight Only</u> D52 52 Watts 4850 Lumens D76 76 Watts 7050 Lumens D90 90 Watts 8400 Lumens

DRIVER	FINISH ¹	CCT	CONFIGURATION
DMV 0-10V dimming	WH White	30K 3000K 35K 3500K	Blank Individual
	BK Black	40K 4000K 50K 5000K	-B Beginner Run
	SI Silver		-E Ender Run
	CC Custom Color		-J Joiner

OPTIONS	
EMERGENCY	HANGING KIT
EM14 14W Emergency battery backup (integrated in fixtures 4' and longer)	HC605WH Cable kit with 6' cable & 5 wires power feed/cable incl., clear cord and white canopy (included power feed and non-power feed)
	HC605WHNPF Cable kit with 6' cable & white canopy, non power feed (non-power feed only)
	HC612WH Cable kit with 12' cable & 5 wires power feed/cable incl., clear cord and white canopy (included power feed and non-power feed)
	HC612WHNPF Cable kit with 12' cable & white canopy, non power feed (non-power feed only)

Note:

1. RAL custom finishes also available. Consult factory for more information or pricing requests.

*Programmable LED drivers allow custom configured wattages and corresponding lumens.

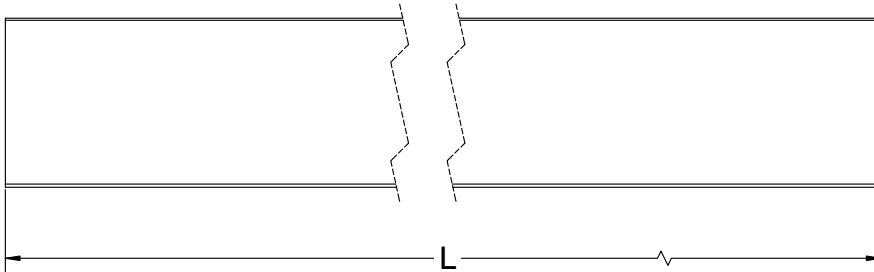
We reserve the right to change design, materials, LEDs and finish in any way that will not alter installed appearance or reduce function and performance.

CATALOG#: _____
 PROJECT: _____
 TYPE: _____

Series L23

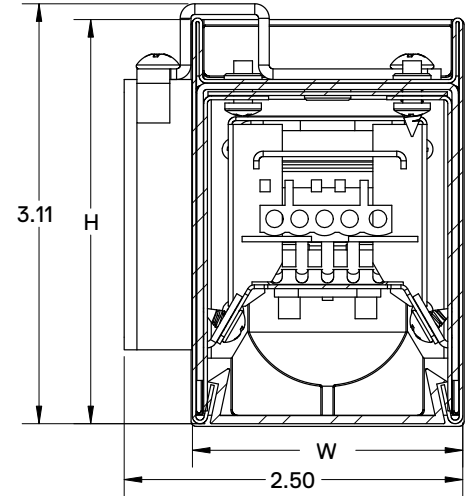
LED Wall Mount, Surface or
 Pendant Mount Linear Fixture

WALL MOUNT DRAWINGS AND DIMENSIONS

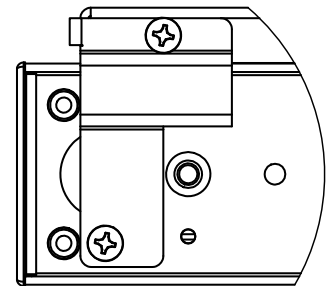


PART	L	W	H	L-Length W-Width H-Height
L23W12L	12.00"	2.00"	3.00"	
L23W24L	24.00"	2.00"	3.00"	
L23W36L	36.00"	2.00"	3.00"	
L23W48L	48.00"	2.00"	3.00"	
L23W60L	60.00"	2.00"	3.00"	
L23W72L	72.00"	2.00"	3.00"	
L23W84L	84.00"	2.00"	3.00"	
L23W96L	96.00"	2.00"	3.00"	

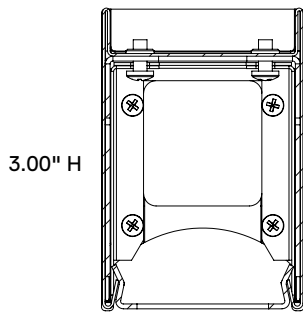
End Side View



End Top View



SENSOR BOX DRAWINGS & DIMENSIONS



2.00"W

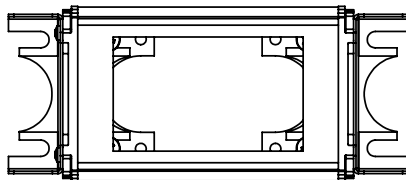


Occupancy Sensor

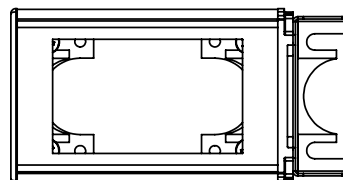
- Self-Contained Relay,
- No Power Pack Needed
- No Minimum Load Requirements
- Interchangeable Hot & Load Wires,
- Impossible to Wire Backwards
- Push-Button Programmable
- Adjustable Time Delays
- No Field Calibration or Sensitivity
- Adjustments Required Convenient
- Test Mode
- 100 hr Lamp Burn-in Timer Green
- LED Indicator

Physical Specs

- SIZE 2.25" H x 1.38" W x 0.82" D
- (5.715 cm x 3.51 cm x 2.08 cm)
- WEIGHT 4 oz
- MOUNTING Snaps into 2 3/16" H x 1 5/16" W
- x 1" D cavity in fixture
- COLOR White



Sensor Box for Continuous
 Run Application



Sensor Box

We reserve the right to change design, materials, LEDs and finish in any way that will not alter installed appearance or reduce function and performance.

CATALOG#: _____
 PROJECT: _____
 TYPE: _____

Series L23

LED Wall Mount, Surface or
 Pendant Mount Linear Fixture

ORDERING GUIDE 2 Ft.

SERIES	MOUNTING	DIFFUSER	LENGTH	GEAR	UP WATTAGE ¹	DOWN WATTAGE ¹
L23	W Wall Mount	SF Snap-in frosted acrylic lens (85% transmission) Special for LEDs; only available for upright and downlight	24 24"	LT	U6 6 Watts 600 Lumens	D12 12 Watts 1100 Lumens
					U9 9 Watts 850 Lumens	D18 18 Watts 1700 Lumens
SSL23 Occupancy Sensor (ON when occupied, OFF when not)						<u>Downlight Only</u>
						D13 13 Watts 1450 Lumens
						D19 19 Watts 2150 Lumens
						D23 23 Watts 2600 Lumens

DRIVER	FINISH ¹	CCT	CONFIGURATION
DMV 0-10V dimming	WH White	30K 3000K	Blank Individual
	BK Black	35K 3500K	-B Beginner Run
	SI Silver	40K 4000K	-E Ender Run
	CC Custom Color	50K 5000K	-J Joiner

OPTIONS

HANGING KIT

HC605WH	Cable kit with 6' cable & 5 wires power feed/cable incl., clear cord and white canopy (included power feed and non-power feed)
HC605WHNPF	Cable kit with 6' cable & white canopy, non power feed (non-power feed only)
HC612WH	Cable kit with 12' cable & 5 wires power feed/cable incl., clear cord and white canopy (included power feed and non-power feed)
HC612WHNPF	Cable kit with 12' cable & white canopy, non power feed (non-power feed only)

Note:

1. RAL custom finishes also available. Consult factory for more information or pricing requests.

*Programmable LED drivers allow custom configured wattages and corresponding lumens.

We reserve the right to change design, materials, LEDs and finish in any way that will not alter installed appearance or reduce function and performance.

ORDERING GUIDE

4 Ft. and 8 Ft.

SERIES	MOUNTING	DIFFUSER	LENGTH	GEAR	UP WATTAGE ¹	DOWN WATTAGE ¹
L23 SSL23 Occupancy Sensor (ON when occupied, OFF when not)	W Wall Mount	SF Snap-in frosted acrylic lens (85% transmission) Special for LEDs; only available for upright and downlight	48 48"	LT	U12 12 Watts 1100 Lumens U18 18 Watts 1700 Lumens	D24 24 Watts 2200 Lumens D36 36 Watts 3350 Lumens <u>Downlight Only</u> D26 26 Watts 2400 Lumens D38 38 Watts 3500 Lumens D45 45 Watts 4200 Lumens
			96 96"	LT	U24 24 Watts 2200 Lumens U36 36 Watts 3350 Lumens	D48 48 Watts 4450 Lumens D72 72 Watts 6700 Lumens <u>Downlight Only</u> D52 52 Watts 4850 Lumens D76 76 Watts 7050 Lumens D90 90 Watts 8400 Lumens

DRIVER	FINISH ¹	CCT	CONFIGURATION
DMV 0-10V dimming	WH White	30K 3000K	Blank Individual
	BK Black	35K 3500K	-B Beginner Run
	SI Silver	40K 4000K	-E Ender Run
	CC Custom Color	50K 5000K	-J Joiner

OPTIONS	
EMERGENCY	HANGING KIT
EM14 14W Emergency battery backup (integrated in fixtures 4' and longer)	HC605WH Cable kit with 6' cable & 5 wires power feed/cable incl., clear cord and white canopy (included power feed and non-power feed)
	HC605WHNPF Cable kit with 6' cable & white canopy, non power feed (non-power feed only)
	HC612WH Cable kit with 12' cable & 5 wires power feed/cable incl., clear cord and white canopy (included power feed and non-power feed)
	HC612WHNPF Cable kit with 12' cable & white canopy, non power feed (non-power feed only)

Note:

1. RAL custom finishes also available. Consult factory for more information or pricing requests.

*Programmable LED drivers allow custom configured wattages and corresponding lumens.

We reserve the right to change design, materials, LEDs and finish in any way that will not alter installed appearance or reduce function and performance.

CATALOG#: _____
 PROJECT: _____
 TYPE: _____

Series L23

LED Wall Mount, Surface or
 Pendant Mount Linear Fixture

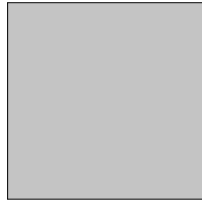
FINISH COLORS



Gloss Black
(GB)



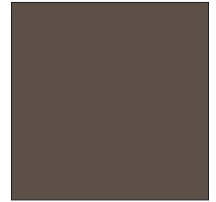
Matte Black
(BK)



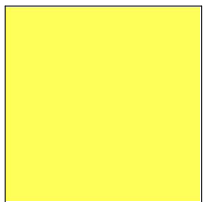
Matte Silver
(SL)



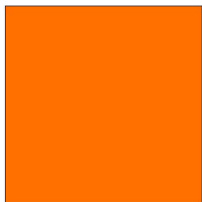
Statuary Bronze
(BZ)



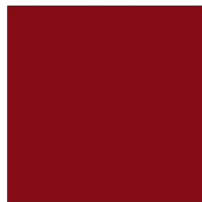
Glimmer (Iron)
(IR)



Safety Yellow
(YL)



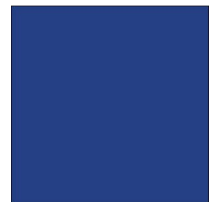
Safety Orange
(OR)



Red
(RD)



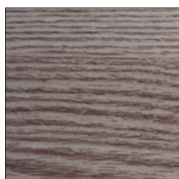
Fire Engine Red
(FR)



Blue
(BL)

NOTE: Factory offers any Tiger Drylac RAL finish, contact Saylite for more information.

"Real Wood" Finishes



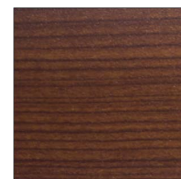
Barnwood
(BW)



Lighter Maple
(LM)



Maple
(MP)



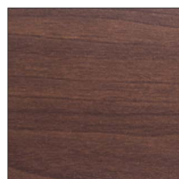
Straight Cherry
(SC)



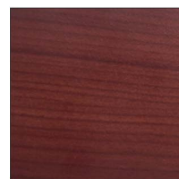
Cordoba Cherry
(CC)



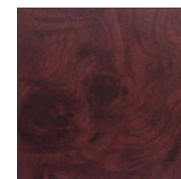
Dark Walnut
(OW)



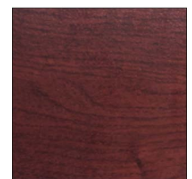
Light Walnut
(LW)



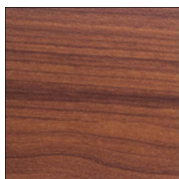
Mahogany Cherrywood
(MC)



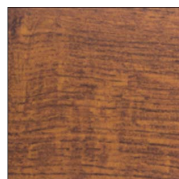
Burled Mahogany
(BM)



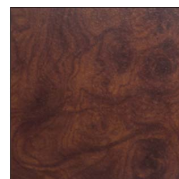
Straight Mahogany
(SM)



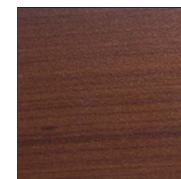
Mediterranean
(ME)



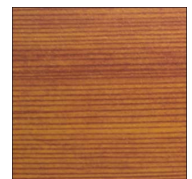
Oak
(OA)



Walnut
(WA)



Cherry
(CH)



Douglas Fir
(OF)