

# DCC150E Series

LED Full Cut-Off Wall Pack

## Applications

- Security, pathway and perimeter lighting
- Building entryways and walkways

## Features

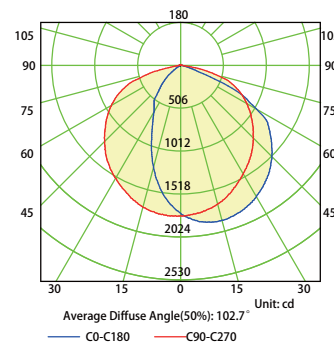
- Suitable for WET location/Outdoor
- Lumen output from 4900lm, to replace 100W MH
- Full Cutoff and compliance to Dark Sky requirement
- Type III polycarbonate optical lens with UV stabilizers
- Built-in UL class 2 driver, optional for photocell
- Available in durable polyester dark bronze or Black powder coat
- UL/cUL
- 82 CRI
- 109 lm/w, 5000K



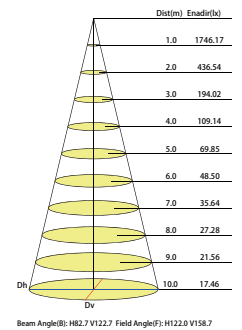
## Photometrics

DCC150E45W4900LMV50K

Luminous Intensity Distribution Curve



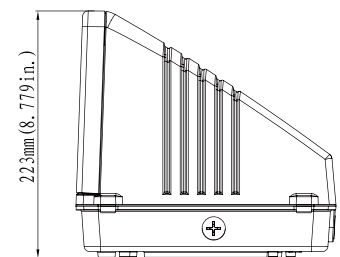
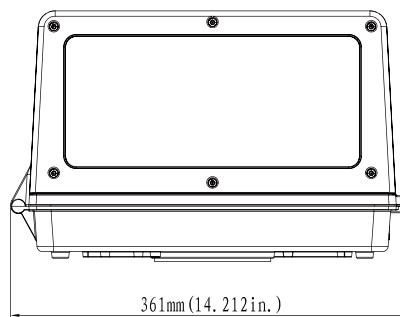
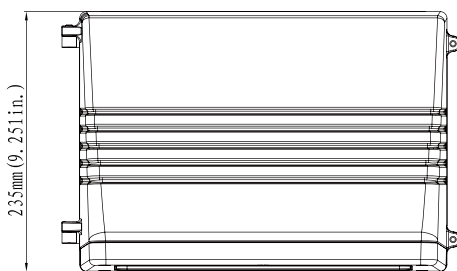
Illuminance at a Distance



## Dimensions

### DIMENSIONS

All dimensions are inches. Specifications subject to change without notice



## ORDERING INFORMATION

DCC150E

**Series**

DCC150E

45W4900L

**Wattage and Lumen**

45W4900L 45 System Watts, 4900 Delivered Lumens

MV

**Driver**

MV Multi - Volt 120V-277V

50K

**Kelvin Temperature**

50K 5000K