

# Series CPY

## LED Low Profile Canopy

LED canopy lights are popular to be used for parking garages, parking lots, warehouses, security lighting, exhibit halls and storage areas. Saving 60-90% in energy costs.

### CONSTRUCTION

Made of heavy duty cast aluminum housing with polyester powder coated and UV resistant polycarbonate lens.



### EMERGENCY BATTERY



### DIMENSIONS

10L - 9.57"L x 9.57"W x 3.07"H

### FEATURES & BENEFITS

- Sealed die-cast profile for indoor and outdoor applications
- Polycarbonate optical lens with heat resisting
- 27W-60W power consumption
- Replacing 100-175W MH
- Lumen output from 3800lm-8000lm
- Built-in UL class 2 driver, optional for PIR sensor and emergency battery
- 120-277V and 347-480V for North America
- UL/cUL Listed
- Operating ambient temp -40°C to 45°C
- 5 year warranty

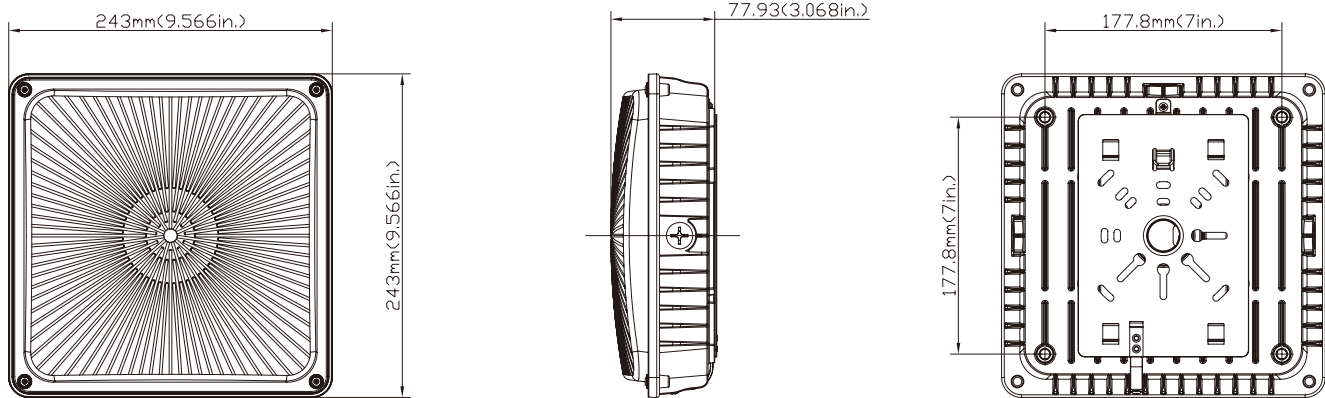


### ORDER INFORMATION

Factory at your fingertips. Fill in the blanks to create your part number or create a custom configuration.

SERIES	SIZE	WATTAGE * & LUMENS*		DRIVER		COLOR/CRI **		FINISH	
CPY LED Low Profile Canopy	10L 9.57"L x 9.57"W x 3.07"H	<b>27W3800L</b>	27 Watts 3800 Lumens	DMV	0-10V Dimming	<b>40K</b>	4000K	Blank	Bronze
		<b>40W5400L</b>	40 Watts 5400 Lumens			<b>50K</b>	5000K	WH	White
		<b>60W8000L</b>	60 Watts 8000 Lumens						

### DRAWINGS & IMAGES



Note:  
 \*Programmable LED drivers allow custom configured wattages and corresponding lumens.  
 We reserve the right to change design, materials, LEDs and finish in any way that will not alter installed appearance or reduce function and performance.