

# Series RKD

## LED Economy Lensed Strip

The Series RKD is an economical enclosed / lensed LED strip ideal for providing energy-efficient lighting with low maintenance and long life. Available in 2', 4' and 8' versions for individual use or combined with multiple fixtures in continuous runs.

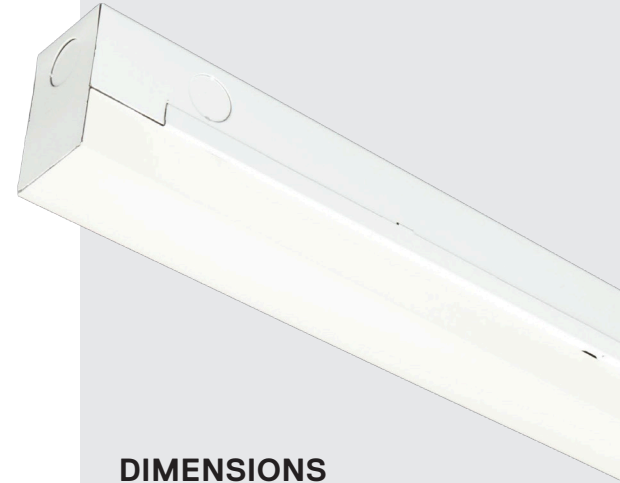
Highly-engineered for quick installation with multiple knockouts, flip down ballast cover for easy wiring and specially-designed lens tabs. Lens is formulated to maximize light output and minimize direct glare. LEDs are visible but output is enhanced.

### CONSTRUCTION

Die-formed and welded 22-gauge cold-rolled steel is chemically treated to resist corrosion and enhance paint adhesion. Knockouts on ends allow continuous wire-way mounting.

### TYPICAL OPTIONS & ACCESSORIES

Cord sets and whips. White finish standard but black or silver powder coating is available; contact factory for custom options. Contact factory for more details.



### DIMENSIONS

2ft. - 24"L x 1.96"W x 2.93"H  
4ft. - 48"L x 1.96"W x 2.93"H  
8ft. - 96"L x 1.96"W x 2.93"H  
Consult factory for custom lengths.

### FEATURES & BENEFITS

- Surface or pendant mountable
- Fully assembled housing is formed and welded, 22 gauge steel
- Available in white, black or silver finishes. Contact factory for custom finishes.
- Smooth frosted lens to maximize light output
- Multiple knockouts for easy installation
- Suitable for commercial or residential areas
- Suitable for dry or damp location
- Multiple lumen packages / wattage available through use of programmable drivers
- Several Kelvin temperature options (3000K, 3500K, 4000K, 5000K); consult factory for RBW option
- >50,000 hrs of L70 LED life
- CRI >80
- Power Factor >0.90
- 0-10 Volt dimmable 120-277V (120 ELV/TRIAC avail)
- Emergency Battery Backup Available
- 5 year warranty



CATALOG#: \_\_\_\_\_  
 PROJECT: \_\_\_\_\_  
 TYPE: \_\_\_\_\_

# Series RKD

## LED Economy Lensed Strip

### ORDER INFORMATION

Factory at your fingertips. Fill in the blanks to create your part number or create a custom configuration.

| SERIES                         | LENS                         | SIZE    | W         |                         | L        |                              | DRIVER |                 | COLOR & CRI** |                                   |     |                 |
|--------------------------------|------------------------------|---------|-----------|-------------------------|----------|------------------------------|--------|-----------------|---------------|-----------------------------------|-----|-----------------|
|                                |                              |         | WATTAGE*  | LUMENS*                 | WATTAGE* | LUMENS*                      | DRIVER | DRIVER          | COLOR         | CRI**                             |     |                 |
| RKD<br>Economy<br>Lensed Strip | FR<br>Frosted<br>Smooth Lens | 24L 24" | J12W1200L | 12 Watts<br>1200 Lumens | DMV      | 0-10V Dimming                | 30K    | 3000K<br>80 CRI |               |                                   |     |                 |
|                                |                              |         | J24W2400L | 24 Watts<br>2400 Lumens |          |                              |        |                 | G120          | ELV/TRIAC Dimming<br>at 120V only | 35K | 3500K<br>80 CRI |
|                                |                              |         | J48W4800L | 48 Watts<br>4800 Lumens |          |                              |        |                 | D1MV          | 0-10V Dimming<br>(dim to 1%)      | 40K | 4000K<br>80 CRI |
|                                |                              | 48L 48" | J28W2800L | 28 Watts<br>2800 Lumens | D1MV     | 0-10V Dimming<br>(dim to 1%) | 50K    | 5000K<br>80 CRI |               |                                   |     |                 |
|                                |                              |         | J48W4800L | 48 Watts<br>4800 Lumens |          |                              |        |                 | 930K          | 3000K<br>90 CRI                   |     |                 |
|                                |                              |         | J96W9600L | 96 Watts<br>9600 Lumens |          |                              |        |                 | 935K          | 3500K<br>90 CRI                   |     |                 |
|                                |                              | 96L 96" | J57W5700L | 57 Watts<br>5700 Lumens | D1MV     | 0-10V Dimming<br>(dim to 1%) | 940K   | 4000K<br>90 CRI |               |                                   |     |                 |
|                                |                              |         | J96W9600L | 96 Watts<br>9600 Lumens |          |                              |        |                 | 950K          | 5000K<br>90 CRI                   |     |                 |
|                                |                              |         | J96W9600L | 96 Watts<br>9600 Lumens |          |                              |        |                 |               |                                   |     |                 |

### Additional Options

| FINISH    | OPTIONS   |  |
|-----------|-----------|--|
| WH White  | EM        | 10W Emergency battery backup (remote only)                                 |
| BK Black  | EM12      | 12W Emergency backup (remote only)   |
| SL Silver | EM20      | 20W Emergency backup (remote only)   |
|           | HC3015WWH | 4' Cable & 5 Wires Power Feed/Cable Incl. and White Canopy Cable kit with  |
|           | HC3025WWH | 12' Cable & 5 Wires Power feed/Cable Incl. and White Canopy                |
|           | 2SCS24WH  | Two Stem kits with 24" Stem, Canopy and Mounting hardware for a 4' fixture |

**Note:**

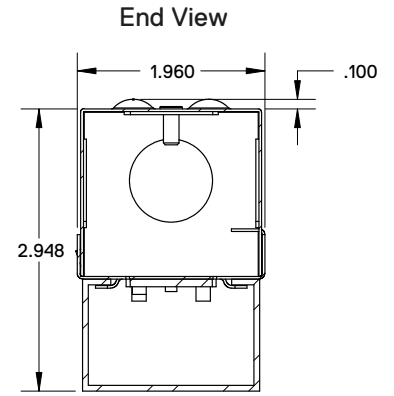
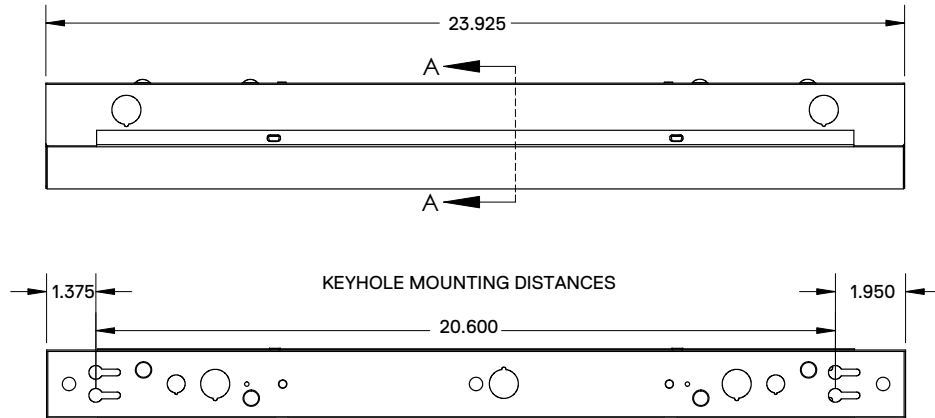
\*Programmable LED drivers allow custom configured wattages and corresponding lumens.

\*\*Consult factory for 90CRI 5000K availability.

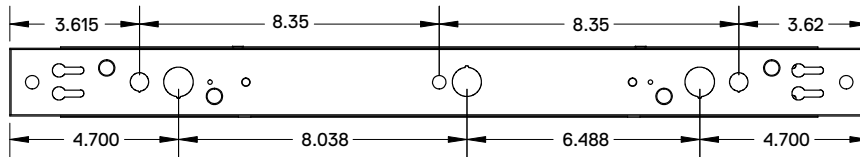
We reserve the right to change design, materials, LEDs and finish in any way that will not alter installed appearance or reduce function and performance.

### DRAWINGS & IMAGES

#### 2 FT

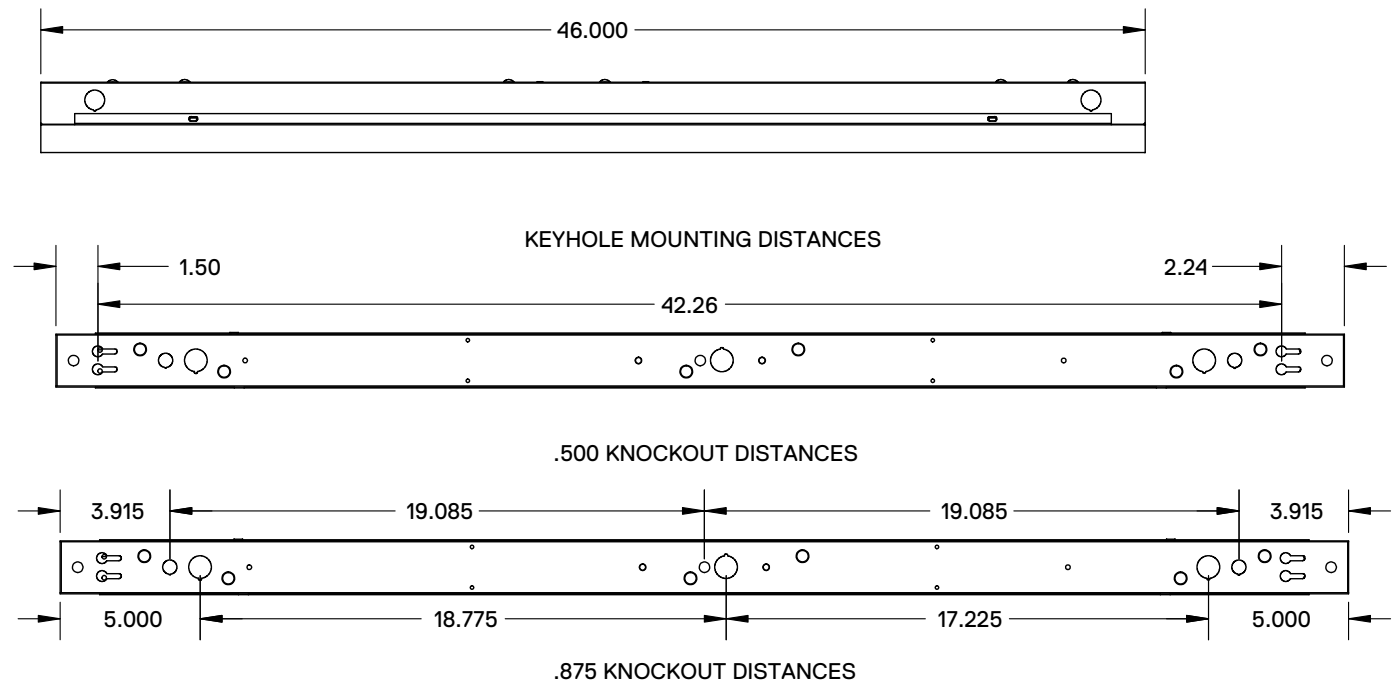


#### .500 KNOCKOUT DISTANCES

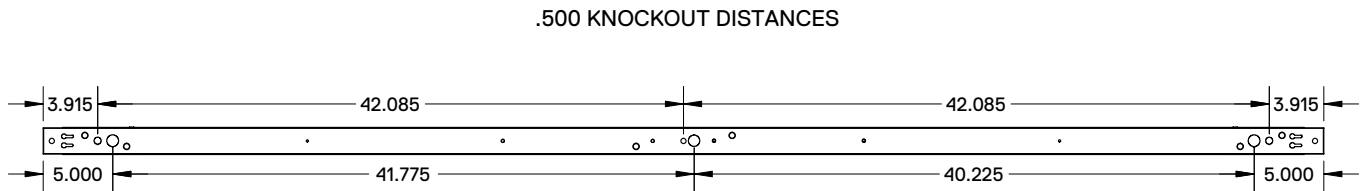
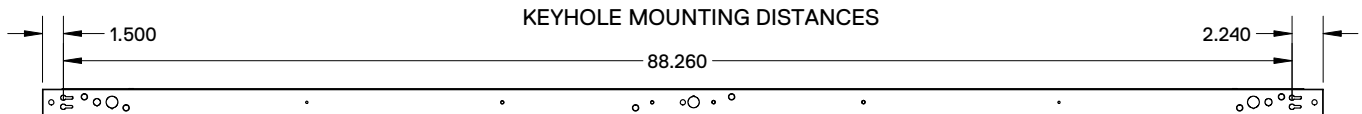
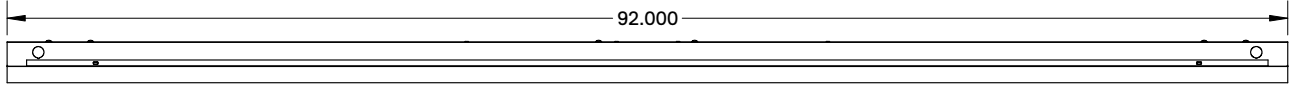


#### .875 KNOCKOUT DISTANCES

#### 4 FT



### DRAWINGS & IMAGES



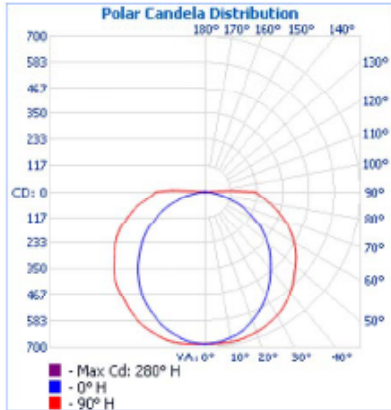
.875 KNOCKOUT DISTANCES

### REPLACEMENT LENS ORDERING INFORMATION

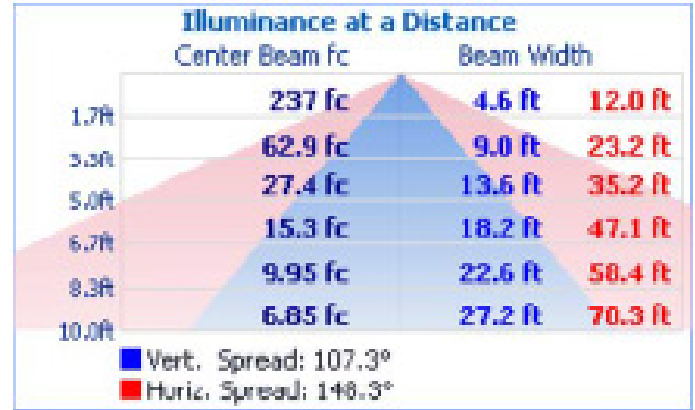
| PART NO.  | DESCRIPTION                      |
|-----------|----------------------------------|
| ORKDFR24L | Replacement Frosted lens for 24" |
| ORKDFR48L | Replacement Frosted lens for 48" |
| ORKDFR96L | Replacement Frosted lens for 96" |

PHOTOMETRICS

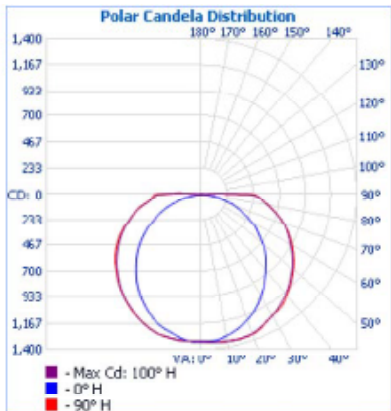
24L-RKDFR24LH24W2600LDMV40KWH



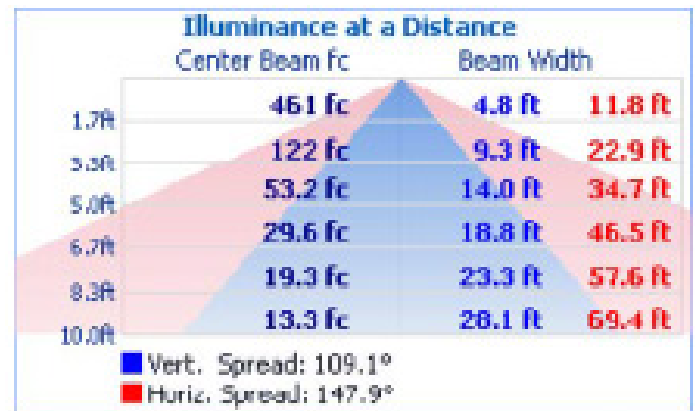
| Zone   | Lumens  | % Luminaire |
|--------|---------|-------------|
| 0-30   | 544.7   | 22%         |
| 0-40   | 902.8   | 36.4%       |
| 0-60   | 1,656.6 | 67.2%       |
| 60-90  | 751.4   | 30.7%       |
| 70-100 | 483.5   | 19.5%       |
| 90-120 | 51.6    | 2.1%        |
| 0-90   | 2,427.9 | 97.9%       |
| 90-180 | 51.6    | 2.1%        |
| 0-180  | 2,479.5 | 100%        |



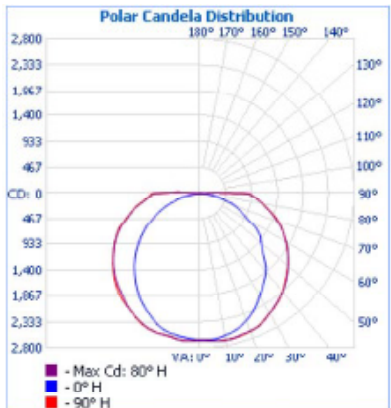
48L-RKDFR48LH48W5100LDMV40KWH



| Zone   | Lumens  | % Luminaire |
|--------|---------|-------------|
| 0-30   | 1,052.0 | 22.1%       |
| 0-40   | 1,760.7 | 36.6%       |
| 0-60   | 3,248.7 | 67.5%       |
| 60-90  | 1,480.5 | 30.8%       |
| 70-100 | 922.8   | 19.2%       |
| 90-120 | 84.1    | 1.7%        |
| 0-90   | 4,729.2 | 98.3%       |
| 90-180 | 84.1    | 1.7%        |
| 0-180  | 4,813.3 | 100%        |



96L-RKDFR96LH96W9600LDMV40KWH



| Zone   | Lumens  | % Luminaire |
|--------|---------|-------------|
| 0-30   | 2,125.9 | 22.1%       |
| 0-40   | 3,519.6 | 36.6%       |
| 0-60   | 6,486.6 | 67.5%       |
| 60-90  | 2,953.6 | 30.7%       |
| 70-100 | 1,842.4 | 19.2%       |
| 90-120 | 166.8   | 1.7%        |
| 0-90   | 9,440.2 | 98.3%       |
| 90-180 | 166.8   | 1.7%        |
| 0-180  | 9,607.0 | 100%        |

