

Series RCR/RCS

Ultra Thin Edgelit Downlight (Wet Location)

At just 5/8th inches tall, Series RCR (round) and RCS (square) downlights are ultra thin and versatile surface mount fixtures. They are wet location rated, so they can be used indoors and outdoors. Enjoy the most consistent, low wattage general illumination from these sleek, freshly designed, edge-lit luminaires available in multiple sizes and either white or brushed nickel finishes.

CONSTRUCTION

Aluminum housing with a special regressed lens to provide even, comfortable illumination. Surface mounts to existing standard junction boxes or used in new construction with two screws.

LED ENGINE

Slim, close-to-ceiling LED arrays provide 660 lumens with 10 watts and 1000 lumens with 15 watts at 3000 Kelvin CCT.

MOUNTING

Surface mounts to existing junction box or in new construction with just two screws.

DIMMING

RCR and RCS Series dims to 10% with standard dimmers. TRIAC based (forward phase control or leading edge dimmers).



DIMENSIONS

RCR5L - 5.5"Dia. x 0.625"H
RCR7L - 7"Dia. x 0.625"H
RCS5L - 6.28"L x 6.28"W x 0.625"H
RCS7L - 8"L x 8"W x 0.625"H

FEATURES & BENEFITS

- Close-to-ceiling, surface mount, ultra thin, edge-lit downlight attaches either directly to an existing junction box or in new construction with just 2 screws
- White or brushed nickel finish
- Suitable for wet locations
- CRI >80 standard
- L70: >50,000 Hours
- Standard 3000 Kelvin CCT
- Dimming: 120V TRIAC dim to 10%
- 5 year warranty



ORDER INFORMATION

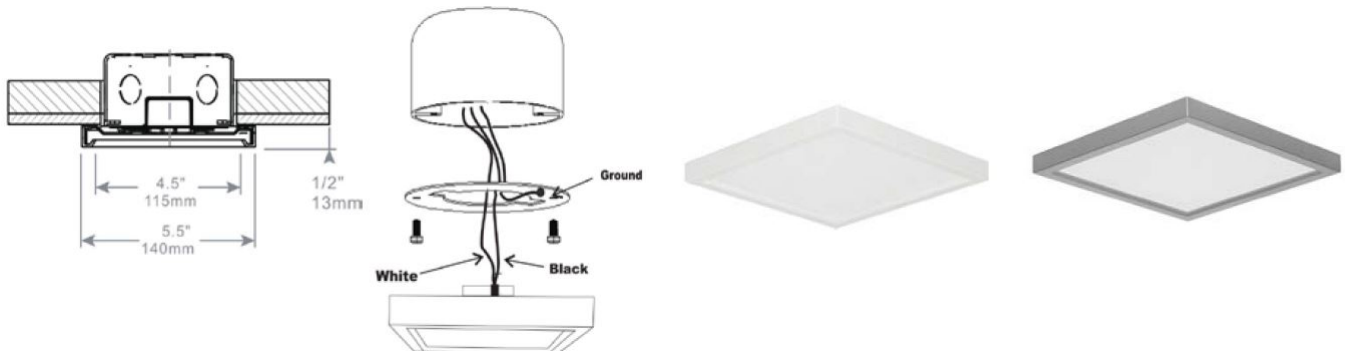
ITEM NO.	DESCRIPTION
RCR5L10W660L30KBN	5.5" Dia. x 0.625"H / LED Regressed Round Lens / 10W, 660L / 120V Dim / 3000K / Brushed Nickel
RCR5L10W660L30KWH	5.5" Dia. x 0.625"H / LED Regressed Round Lens / 10W, 660L / 120V Dim / 3000K / White
RCR7L15W1000L30KBN	7" Dia. x 0.625"H / LED Regressed Round Lens / 15W, 1000L / 120V Dim / 3000K / Brushed Nickel
RCR7L15W1000L30KWH	7" Dia. x 0.625"H / LED Regressed Round Lens / 15W, 1000L / 120V Dim / 3000K / White
RCS5L10W660L30KBN	6.28"L x 6.28"W x 0.625"H / LED Regressed Square Lens / 10W, 660L / 120V Dim / 3000K / Brushed Nickel
RCS5L10W660L30KWH	6.28"L x 6.28"W x 0.625"H / LED Regressed Square Lens / 10W, 660L / 120V Dim / 3000K / White
RCS7L15W1000L30KBN	8"L x 8"W x 0.625"H / LED Regressed Square Lens / 10W, 1000L / 120V Dim / 3000K / Brushed Nickel
RCS7L15W1000L30KWH	8"L x 8"W x 0.625"H / LED Regressed Square Lens / 10W, 1000L / 120V Dim / 3000K / White

DRAWINGS & IMAGES

RCR



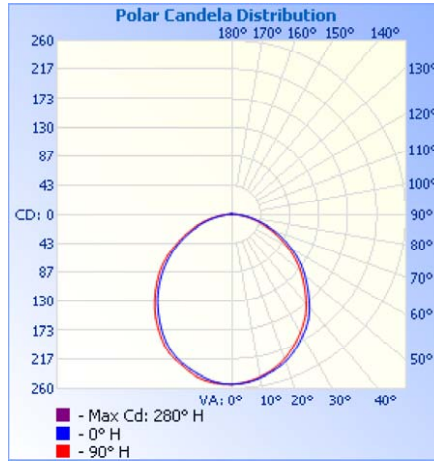
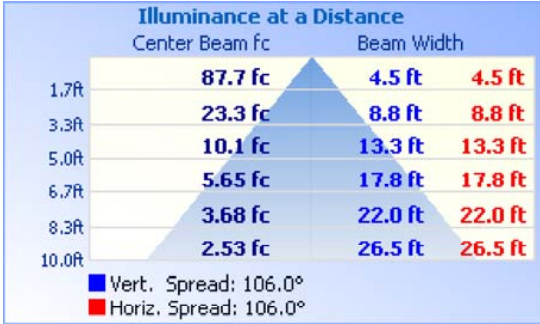
RCS



We reserve the right to change design, materials, LEDs and finish in any way that will not alter installed appearance or reduce function and performance.

PHOTOMETRICS

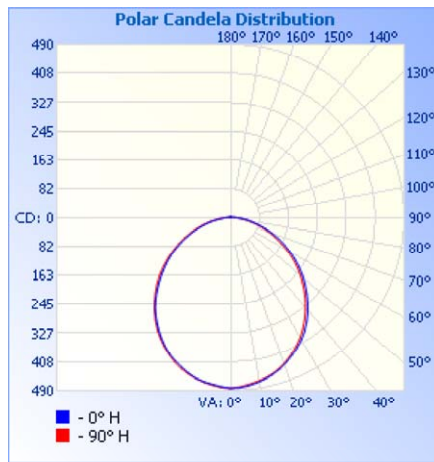
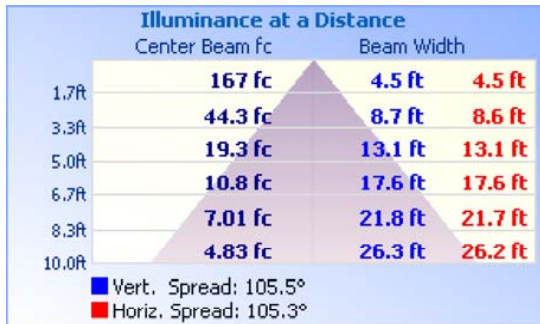
RCS5L10W660L30KWH



Zonal Lumen Summary

Zone	Lumens	% Luminaire
0-30	193.9	28.8%
0-40	314.2	46.7%
0-60	540.6	80.3%
60-90	132.0	19.6%
70-100	54.8	8.2%
90-1200.3		0%
0-90	672.6	100%
90-1800.3		0%
0-180	672.8	100%

RCS7L15W1000L30KWH



Zonal Lumen Summary

Zone	Lumens	% Luminaire
0-30	367.7	28.9%
0-40	595.6	46.8%
0-60	1,024.5	80.4%
60-90	248.6	19.5%
70-100	102.9	8.1%
90-1200.5		0%
0-90	1,273.1	100%
90-1800.5		0%
0-180	1,273.6	100%