



CATALOG#: _____
 PROJECT: _____
 TYPE: _____

Series OCL

LED Outdoor Octagon

OCL Series fixtures are excellent durable, decorative outdoor lights. Perfect for use in outdoor residential and commercial settings. Fixtures mount directly to a junction box for a clean, seamless look.

CONSTRUCTION

Housing molded of durable non-corrosive UV resistant resins.

MOUNTING

Ceiling mount directly to junction box.

TYPICAL OPTIONS & ACCESSORIES

Two finish options and three color temp options available.



DIMENSIONS

10 1/4" D x 5 3/4" H

FEATURES & BENEFITS

- Available in LED, Incandescent and GU24
- Molded of durable non-corrosive UV resistant resins
- Ceiling mount
- UL Listed for damp locations
- 80 CRI
- 5 year warranty

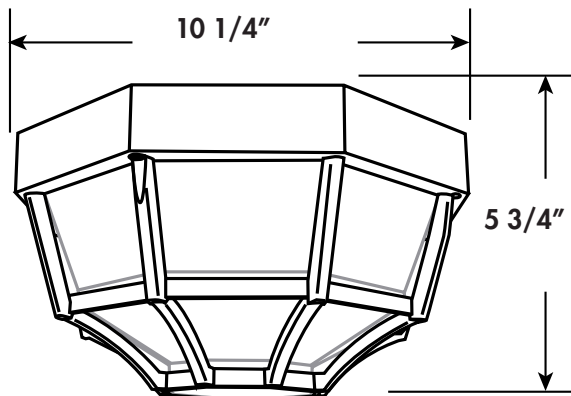


ORDER INFORMATION

LED WALL CYLINDERS		
Part Number	Bulb	Size
OCLINCLPLEDWH	LED Lamp 9.5W A19 27K Incl. White*, Dimmable 120V	5.75"H x 10.25"D
OCL10L14W1400LD120WH40K	LED 14W 1400Lm, 40K, White*, Dimmable 120V	5.75"H x 10.25"D
OCL10L23W1900LD120WH40K	LED 23W 1900Lm, 40K, White*, Dimmable 120V	5.75"H x 10.25"D

* For 3000K change 40K to 30K. For Black, change WH to BK

DRAWINGS & IMAGES



Note:

We reserve the right to change design, materials, LEDs and finish in any way that will not alter installed appearance or reduce function and performance.