

CATALOG# : \_\_\_\_\_

PROJECT : \_\_\_\_\_

TYPE : \_\_\_\_\_

## Series L25

### LED Linear 2.5" X 3" Direct Only (Surface, Pendant, Recessed or Wall Mount)

Full body micro silhouette makes a bold statement with a minimal design. Powder-coated flat white polyester finish (consult factory for other finishes). A matte white diffuser surrounds the LEDs for soft lighting recommended for corridors and lobbies. Fixture can be pendant mounted with specially engineering cable mounting kit. Also appropriate as a surface mount, wall mount or recessed fixture.

#### CONSTRUCTION

Die-formed and welded 22-gauge cold-rolled steel.  
Easy to install.

#### DIFFUSERS

Special LED formulated frosted lenses with snap in feature for easy access.

#### TYPICAL OPTIONS & ACCESSORIES

Cord sets, whips, occupancy sensors, hanging kits, etc. Many finish options. Emergency battery backup available.  
Contact factory for more details.



#### DIMENSIONS

2ft. - 24"L x 2.375"W x 3.25"H  
4ft. - 48"L x 2.375"W x 3.25"H  
8ft. - 96"L x 2.375"W x 3.25"H


#### FEATURES & BENEFITS

- For surface mounting to the ceiling or pendant hung by engineered hanging kit; can also be wall mounted or recess mounted
- Attractive source of direct lighting for any indoor applications.
- Multiple lumen packages (3000K, 3500K, 4000K, 5000K); consult factory for RGBW option
- Variety of lumen packages and wattages through use of programmable drivers
- Several finishes available, such as silver, white, white marble, ivory marble, black marble, tortoise
- Emergency battery backup available
- Suitable for dry or damp location
- >50,000 hrs of L70 LED life
- CRI >80
- Power Factor >0.90
- 0-10 Volt dimmable 120-277V (120 ELV/TRIAC avail)
- 5 year warranty



## ORDER INFORMATION

Factory at your fingertips. Fill in the blanks to create your part number or create a custom configuration.

SENSOR	SERIES	WALL WASH	LENS MATERIAL	LENGTH	W		L		DRIVER		COLOR & CRI **		
					WATTAGE * & LUMENS*								
SS Sensor - On/Off  SV Bi-level (xx)  SD Daylight Harvesting  	L25P Pendant Mount	W Wall Wash	SF Snap-in frosted acrylic lens (85% transmission) Special for LEDs; only available for uplight and downlight	24L 24"	T18W1800L		18 Watts 1800 Lumens		DMV	0-10V Dimming	30K	3000K	
				48L 48"	T37W3770L		37 Watts 3770 Lumens		G120	ELV/TRIAC dim- ming at 120V only (only available with SS sensor)	35K	3500K	80 CRI
				96L 96"	T74W7400L		74 Watts 7400 Lumens		D1MV	0-10V Dimming (dim to 1%)	40K	4000K	80 CRI
									DMV(xx)	0-10V Dimming (xx) for per- centage of light output when not occupied. (required for SV sensor)	50K	5000K	
											930K	3000K	
											90 CRI	90 CRI	
											935K	3500K	
											90 CRI	90 CRI	
											940K	4000K	
											90 CRI	90 CRI	
											950K	5000K	
											90 CRI	90 CRI	

## Additional Options

FINISH	OPTIONS
WH White	HC301WH Cable kit with 4' cable & 3 wires power feed/cable incl. and white canopy
SL Silver	HC302WH Cable kit with 12' cable & 3 wires power feed/cable incl. and white canopy
	HC3015WWH Cable kit with 4' cable & 5 wires power feed/cable incl. and white canopy
	HC3025WWH Cable kit with 12' cable & 5 wires power feed/cable incl. and white canopy
	HC3016WH Cable kit with 4' cable & 6 wires power feed/cable incl and white canopy
	HC3026WH Cable kit with 12' cable & 6 wires power feed/cable incl and white canopy
	2SCS24WH Two stem kits with 24" stem, canopy and mounting hardware for a 4' fixture
	EM 10W Emergency battery backup (internal, excludes less than 4ft)
	EM12 12W Emergency battery backup (internal, excludes less than 4ft)
	EM20 20W Emergency battery backup (remote only)

Note:

\*Programmable LED drivers allow custom configured wattages and corresponding lumens.

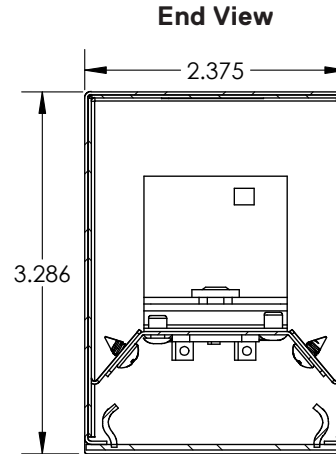
\*\*Consult factory for 90CRI 5000K availability.

We reserve the right to change design, materials, LEDs and finish in any way that will not alter installed appearance or reduce function and performance.

## DRAWINGS & IMAGES

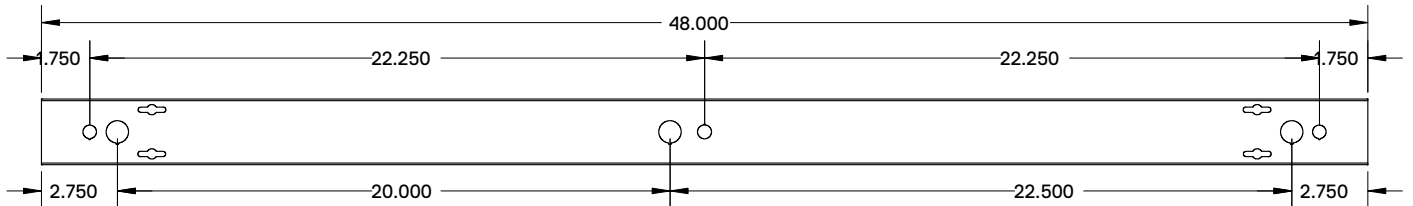
### REPLACEMENT LENS INFORMATION

PART NO.	DESCRIPTION
L25P24L	Replacement lens for 24" Pendant
L25P48L	Replacement lens for 48" Pendant
L25P96L	Replacement lens for 96" Pendant



### 4 FT

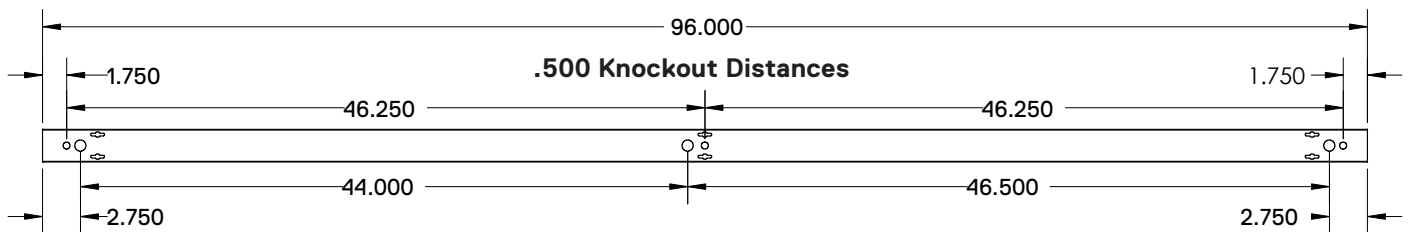
#### .500 Knockout Distances



#### .875 Knockout Distances

### 8 FT

#### .500 Knockout Distances



#### .875 Knockout Distances