

Series INDWLEZU

NEMA4X/NSF Exit Sign



ILLUMINATION

- Ultra-bright, energy efficient, long life Red or Green LEDs

ELECTRICAL

- Dual 120-277 voltage
- Unique bi-color LED indicator light alerts occupants on battery condition (Green-normal, Red-check-battery).
- Charge rate/power "ON" LED indicator light and magnetic test switch for mandated code compliance testing
- Internal solid-state transfer switch automatically connects the internal battery to LED board and LED lamp heads for minimum 90-minute emergency illumination
- Fully automatic solid-state, two rate charger initiates battery charging to recharge a discharged battery in 24 hours.

MOUNTING

- Universal knockout pattern on back provided with gasket for watertight seal for back mount.
- Polycarbonate mounting canopy included for top or end mount

HOUSING

- Housing is reinforced polycarbonate construction in white or black finish
- Corrosion resistant enclosure with one piece, high-impact resistant, UV stabilized polycarbonate lens and molded gasket with stainless steel screws.
- Knockouts provided for conduit feed applications.
- EZ snap-out Chevron directional indicators.

OPTIONS

- SDT: Self-diagnostic feature performs monthly, biannual and annual tests to ensure reliable operation and meet electrical and life safety codes.
- 2C-120V/2C-277V: Voltage specific dual circuit option on the AC-only unit enables it to be connected to two different supplies at the same time.
- TP: Tamper-proof hardware helps discourage unauthorized access to the unit.

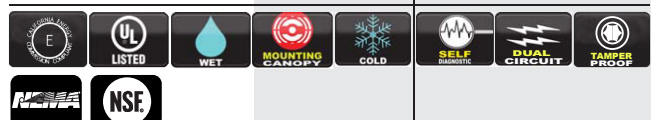
DIMENSIONS

14 3/4"L x 6"W x 10"H

FEATURES & BENEFITS

- Meets UL924, NFPA101 Life Safety Code, NEC, OSHA, Local and State Codes
- IP66 rated for ingress protection
- NEMA4X and NSF rated
- Certified to CEC under Title 20 regulations
- UL certified for use in food service operations
- UL Listed for wet location (-20°C-50°C)
- 5 year warranty on all electronics and housing. Battery pro-rated for five years.

STANDARD



OPTIONAL



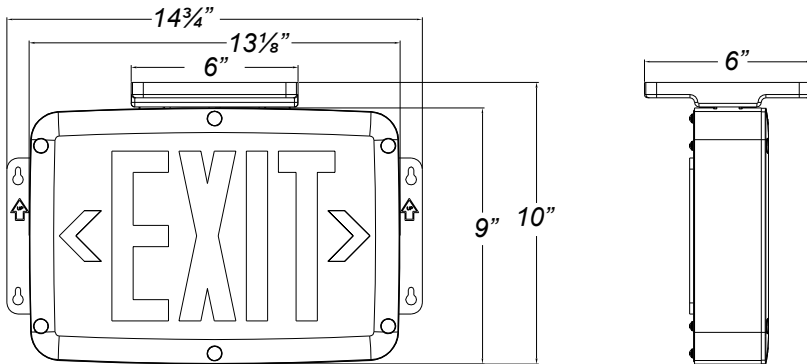
ORDER INFORMATION

Factory at your fingertips. Fill in the blanks to create your part number or create a custom configuration.

| SERIES | NO. OF FACES | LETTER COLOR | HOUSING COLOR | BATTERY | OPTIONS |
|----------|--------------|--------------|---------------|-----------------|---------------------------------------------------------------------------------------------------|
| INDWLEZU | 1 Single | R Red | W White | (blank) AC-only | SDT1 Self-Diagnostics* |
| | 2 Double | G Green | B Black | EM NiCd battery | 2C-120 Dual Circuit with 120V input** 2C-277 Dual Circuit with 277V input** TP Tamper-Proof |

Note:
 * Available in EM units only
 ** Available in AC units only

DRAWINGS & IMAGES



Note:
 We reserve the right to change design, materials, LEDs and finish in any way that will not alter installed appearance or reduce function and performance.