



Texas Fluorescents
Reinvented

CATALOG#: _____
PROJECT: _____
TYPE: _____

Series TDL

LED Tapered Disk (Wet Location)

The Series TDL Tapered Disk Light provides general illumination with a small, sleek, modern design. It offers 75% energy savings and lasts 40 times longer than conventional recessed downlight options.

These close-to-ceiling, 120V LED fixtures mount simply to a standard 4" J-box and are less than 2" deep. They provide 1100 lumens (equivalent to 100W incandescent) from only 15 Watts and are available in 3000K or 4000K. These fixtures are dimmable with leading edge controls (compatible with Cooper, Leviton and LUTRON dimmers on page 2).

Series TDL fixtures are suited for wet location applications, such as outdoor breezeways or showers/bathrooms where much larger and utilitarian fixtures are normally used. They are also stylish substitutes for recessed downlights where ceiling obstructions or codes make a surface mount a good solution. Lastly, they are ideal for applications that require expensive fire-rated boxes for recessed fixtures, since these mount simply to a surface mounted junction box.

CONSTRUCTION

Tapered metal body and translucent white acrylic diffuser that limits glare. Heavy-gauge metal housing powder-coated in one of three standard color options. 120V LED array dimmable with select dimmers on page 2. Lens twists on for locking fit.

MOUNTING

Surface mounts to standard 4-inch junction box with two screws. For wet location installations, first apply silicone caulk around the edges of the coverplate to create a watertight seal from rain and moisture. For added details, see page 3.



DIMENSIONS

7 3/8"Dia. x 1 1/2"H

FEATURES & BENEFITS

- Available in 3 finishes: white, brushed aluminum and bronze
- CRI >80 standard
- L70: >50,000 Hours
- 120V TRIAC Dimming
- Compatible with LUTRON, Leviton and Cooper dimmers
- 3000K and 4000K options
- Suitable for wet locations
- Available with or without pull chain
- Power factor >0.90
- 5 year warranty



ORDER INFORMATION

ITEM NO.	DESCRIPTION
TDL6L15W1100L30KBA	7.375"D x 1.5"H / Tapered LED Disk / 15W, 1100L / 120V Dim / 3000K / Brushed Aluminum
TDL6L15W1100L30KBZ	7.375"D x 1.5"H / Tapered LED Disk / 15W, 1100L / 120V Dim / 3000K / Bronze
TDL6L15W1100L30KWH	7.375"D x 1.5"H / Tapered LED Disk / 15W, 1100L / 120V Dim / 3000K / Matte White
TXFTDL6L15W1100L30KBA-SW	7.375"D x 1.5"H / Tapered LED Disk / 15W, 1100L / 120V Dim / 3000K / Brushed Aluminum / Pull Chain Switch Installed
TXFTDL6L15W1100L30KBZ-SW	7.375"D x 1.5"H / Tapered LED Disk / 15W, 1100L / 120V Dim / 3000K / Bronze / Pull Chain Switch Installed
TXFTDL6L15W1100L30KWH-SW	7.375"D x 1.5"H / Tapered LED Disk / 15W, 1100L / 120V Dim / 3000K / Matte White / Pull Chain Switch Installed
TDL6RECACC	6in RECESSED CAN ACCESSORY

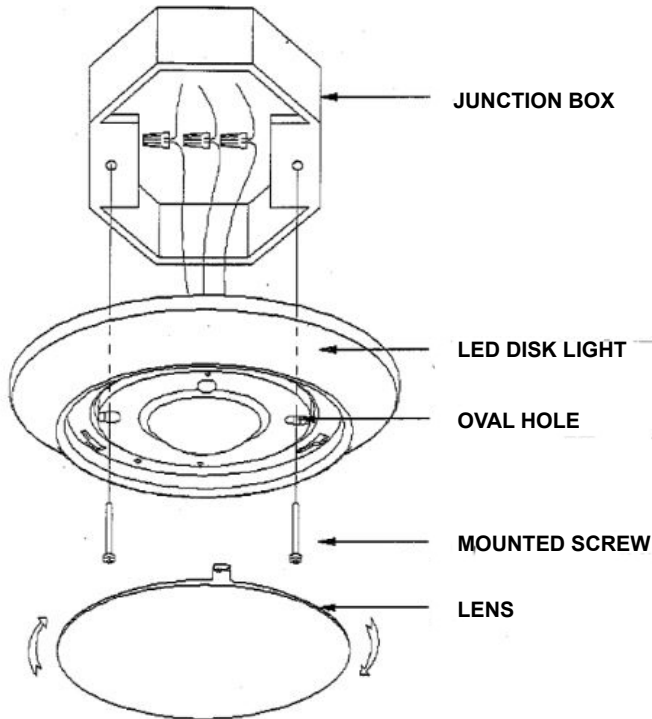
Consult factory for 40K availability.

COMPATIBLE DIMMER LIST

BRANDS	MODEL	DIMMER TYPE	MIN. FLUX (%)
Cooper	DAL06P	Leading	0.98%
Cooper	TAL06P	Leading	0.00%
Cooper	SAL06P	Leading	0.40%
Leviton	IP106-1LZ	Leading	2.18%
Leviton	6602	Leading	0.00%
Leviton	6633	Leading	0.00%
Leviton	6681	Leading	0.00%
Leviton	6683	Leading	0.00%
Leviton	6672	Leading	2.18%
Leviton	6674	Leading	2.63%
Leviton	6631	Leading	0.00%
LUTRON	DV-600P-IV	Leading	0.00%
LUTRON	AY-600P-IV	Leading	0.00%
LUTRON	DV-600PR-WH	Leading	0.00%
LUTRON	DV-600PR-LA	Leading	0.00%
LUTRON	TG-600PR-LA	Leading	0.50%
LUTRON	CTCL-153P	Leading	0.00%
LUTRON	MACL-153MH-WH	Leading	2.69%
LUTRON	DVELV-300P	Trailing	3.14%

Note:

We reserve the right to change design, materials, LEDs and finish in any way that will not alter installed appearance or reduce function and performance.

DRAWINGS & IMAGES**WARNING:**

- Read all instructions before installation
- System is intended for installation by a qualified electrician in accordance with the National Electrical Code and local regulations.
- Go to the main fuse box or circuit breaker. Place the main power switch in the "OFF" position and unscrew the fuse(s) or switch "OFF" the circuit breaker switch(es) that control the power to the fixture or room that you are working on.
- Place the wall switch in the "OFF" position.
- Supply conductors (Power Wires) connecting the fixture must be rated minimum 90°C. If uncertain, consult an electrician.
- The luminaire should be installed by a licensed electrician.

CAUTIONS:

- These luminaires (fixtures) are designed to meet the latest NEC requirements and are listed in full compliance with ETL list.
- Before attempting installation, check your local electrical code, as it sets the wiring standards for your locality.

INSTALLATION:**Over standard electrical junction box**

1. Provide electrical service according to the "National Electrical Code" or your local electrical code to the outlet box.
2. Connect supply wires to fixture wires and insulate with proper size wire nuts.
3. Connect incoming ground wire (green or bare) to fixture ground wire (green or bare).
4. Connect incoming hot (typically black) wire to fixture black wire.
5. Raise the disk light to the junction box and tighten screws.

LENS INSTALLATION:

Twist the lens clockwise on the disk light metal enclosure and lock the lens in place.

CAULKING AROUND THE FIXTURE (OPTIONAL):

Apply silicone caulk around the edges of the coverplate to provide a watertight seal from rain and moisture.