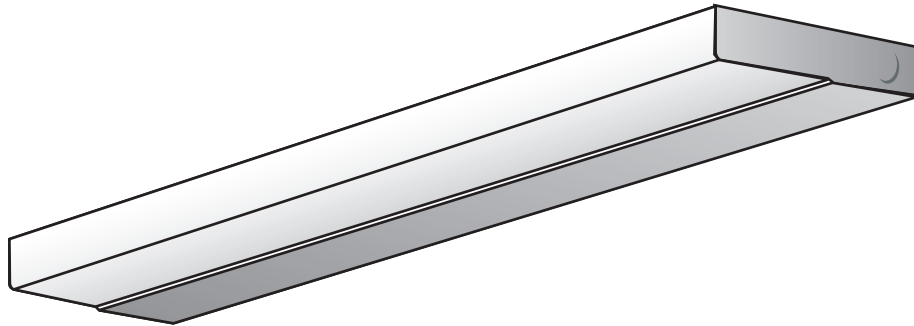


Wall Mount Series TIE

**Intended Use**

High Performance Undercabinet Light.

FEATURES & SPECIFICATIONS

Specifications

- Knockouts provided on cover for optional convenience outlet.
- Knockouts provided on side and back for power feed.
- Keyhole mounting slots provided on back.
- 1/2" Power connector included.
- Completely wired, ready for installation.
- Comes complete with switch in box & conduit connector.
- Made in U.S.A.
-

Electrical

UL listed 120V power factor corrected electronic ballast.

- No annoying lamp flickering during start up - Instant On!
- Energy efficient electronic ballast - lower operating cost.
- Cooler operation - as much as 60% less than conventional pre-heat ballast.
- Quieter - eliminates ballast noise.
- No starter required.

Housing

Die formed housing of sturdy 20 gauge steel.

Diffuser

One piece extruded ribbed white diffuser designed to snap-out for easy installation and relamping.

Finish

All metal surfaces are specially treated for rust resistance and better paint adhesion, then electrostatically sprayed with high white enamel of 87% reflectance and baked at 375 for maximum durability.

Listing

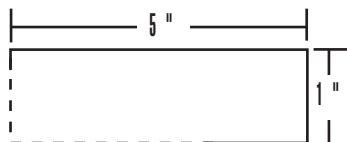
Fixtures conform to Underwriters' Laboratories standards for production and are carefully tested prior to packing.

Optional Equipment

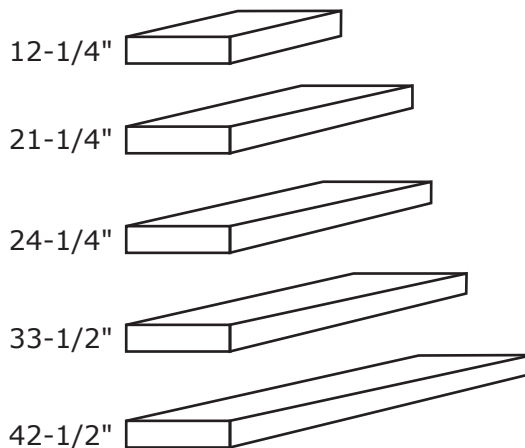
- Grounded convenience outlet
- GLR fuse and fuse holder
- Lamps
- 6 foot, 3 conductor power cord

Wall Mount Series TIE

DIMENSIONS



Note: Dimensions subject to change without notice.
 Please contact factory for verification



5 Lengths

ORDERING INFORMATION

SERIES TIE	
Part Number	Size
TIE12LR4W400LDMV35K	12-1/4" X 5" X 1"
TIE21LR7W700LDMV35K	21-1/4" X 5" X 1"
TIE24LR8W800LDMV35K	24-1/2" X 5" X 1"
TIE33LR11W1100LDMV35K	33-1/2" X 5" X 1"
TIE42LR15W1500LDMV35K	42-1/2" X 5" X 1"

*Change 35K for 30K,40K or 50K