

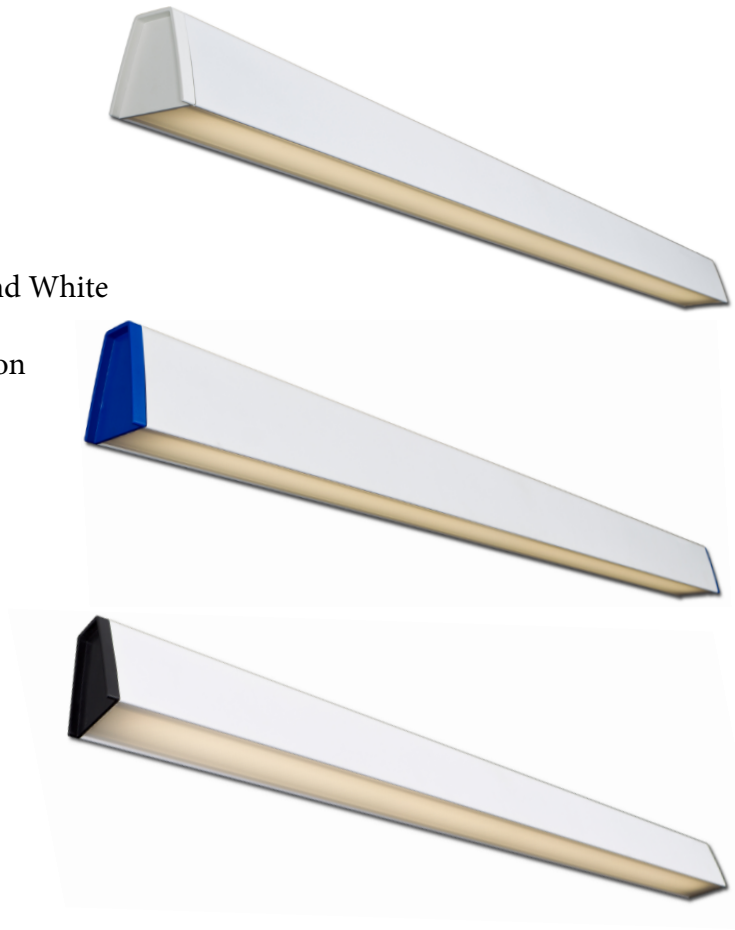
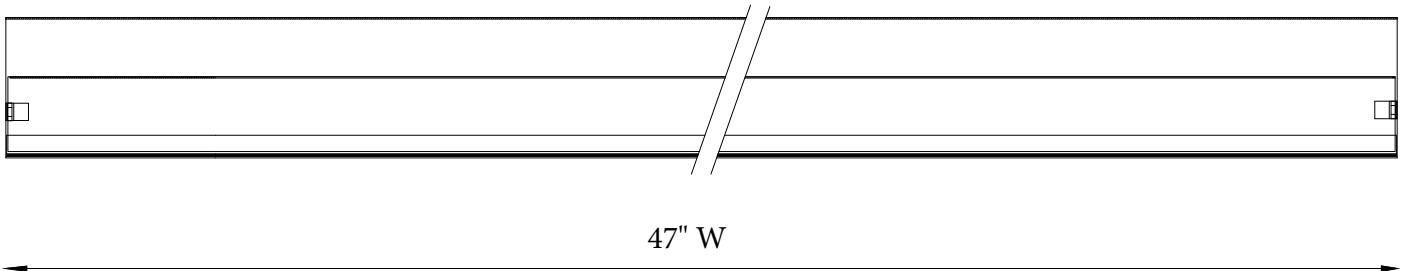
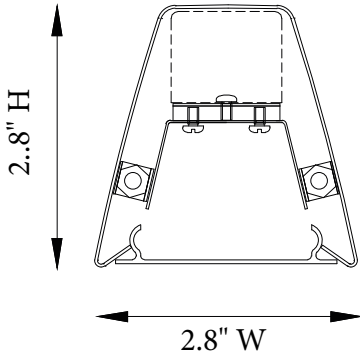
FEATURES AND SPECIFICATIONS

- Architectural pendant LED fixture
- Slim linear design
- Post-painted in powder coated matt white polyester
- Suitable for individual or continuous run installations
- LED technology
- End caps available in different color options, Blue, Black and White
- Joiner available in Blue and White
- Technical frosted acrylic diffuser with 80% light transmission
- Easy to remove diffuser without any tools

WARRANTY

Five Year Limited Warranty.

DIMENSIONS



ORDERING INFORMATION

STANDARD

Example: **CORFR48LJ34W3150LDMV40KWH HC301WH**

<p>COR</p> <hr/> <p>Series</p> <p>COR Corisco Rot LED Channel</p>	<p>FR</p> <hr/> <p>Lens</p> <p>FR Frosted Lens</p>	<p>48L</p> <hr/> <p>Length</p> <p>48L 48"</p>	<p>J34W3150L</p> <hr/> <p>Driver</p> <p>DMV 0-10V Dimming</p>	<p>40K</p> <hr/> <p>Kelvin Temperature</p> <p>30K 3000K 35K 3500K 40K 4000K 50K 5000K</p>	<p>WH</p> <hr/> <p>End Cap</p> <p>BL Blue BK Black WH White</p>	<p>HC301WH</p> <hr/> <p>Options</p> <p>HC301WH Cable kit with 4' Cable & 3 Wires Power Feed/Cable Incl. and White Canopy HC302WH Cable kit with 12' Cable & 3 Wires Power feed/Cable Incl. and White Canopy HC3015WWH Cable kit with 4' Cable & 5 Wires Power Feed/Cable Incl. and White Canopy HC3025WWH Cable kit with 12' Cable & 5 Wires Power feed/Cable Incl. and White Canopy 2SCS24WH Two Stem kits with 24" Stem, Canopy and Mounting hardware for a 4' fixture</p>
<p>Wattage and Lumen</p> <p>J24W2050L 24 System Watts, 2050 Delivered Lumens J34W3150L 34 System Watts, 3150 Delivered Lumens Z43W4000L 43 System Watts, 4000 Delivered Lumens Z57W5100L 57 System Watts, 5100 Delivered Lumens</p>						
<p>Configuration</p> <p>Blank Individual -B Beginner Run -E Ender Run -J Joiner</p>						<p>Accessories*</p> <p>CORJJOINBL Blue Joiner CORJJOINBK Black Joiner CORJJOINWH White Joiner</p> <p>*When joining add wiring harness to fixture item number to join two units electrically. See Chart below.</p>

***Plug in system Options** - it's for continuous run application by simply plugging in sections together

Part Number	Descriptions
PI1	3 Wires Harness, Including White, Black and Green
PI2	4 Wires Harness, Including White, Black, Green and Blue for Emergency Battery Backup
PI3D	5 Wires Harness, Including White, Black, Green, Violet and Gray

* Add the accessories part numbers at the end to be factory installed