

CATALOG# : _____

PROJECT : _____

TYPE : _____

Series BKA

LED Wall Mount, Angled Front

The BKA is a specification grade wall mount for the bath, stairwells, office, and “over the bed” applications, and is distinguished by excellent lighting distribution and craftsmanship. The angled front plane provides aesthetic appeal

CONSTRUCTION

Housing is die-formed and embossed code 22 gauge steel. Standard finish is high reflectance baked white enamel; chrome ends or full chrome body are available as an option. Wiring knockouts are provided on back of housing. Lens is fully captured by end plate. End cap held in place with acorn nut.

MOUNTING

Direct wall mount

TYPICAL OPTIONS & ACCESSORIES

Custom finishes, pull chains, convenience outlets, and emergency battery backup. Contact factory for more details.



DIMENSIONS

4 ft - 3.25”H x 5.50W x 48”L

2 ft - 3.25”H x 5.50W x 24”L

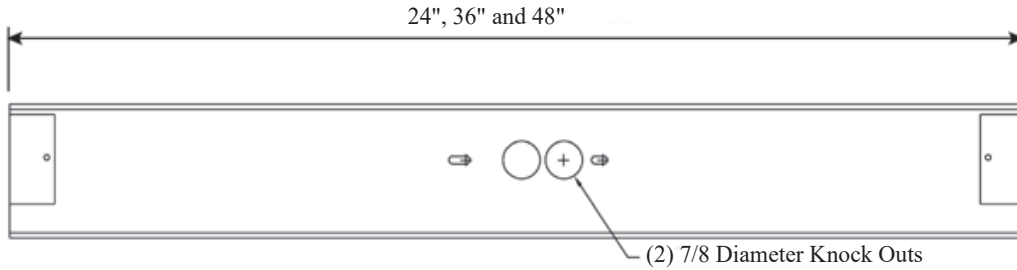
FEATURES & BENEFITS

- Standard, high reflectance white finish with smooth white lends
- Chrome body or chrome ends only finishes available
- Options include prismatic lens, special ballasts, pull chain switches and convenience outlets.
- Suitable for dry and damp locations
- 50,000 hrs of L70 LED life
- CRI >80
- 0-10 Volt dimmable 120-277V
- Power factor 0.99
- 5 year warranty

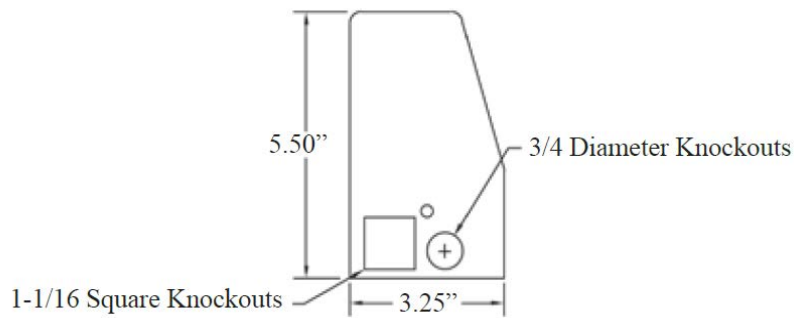


DRAWINGS & IMAGES

Side



End



ORDER INFORMATION

4 Ft Standard

SERIES	LENS MATERIAL	LENGTH	WATTAGE & LUMENS	DRIVER	COLOR
BKA	MW Smooth White Acrylic	48L 48"	S48W4500L 48 Watts 4500 Lumens S57W5100L 57 Watts 5100 Lumens _____ * _____ *	DMV 0-10V Dimming	30K 3000K 35K 3500K 40K 4000K 50K 5000K

FINISH		OPTIONS	
Blank	White (standard)	SW2	Pull chain, 2 way switching (Use with single ballast)
CH	Chrome finish	GCO	Ground convenience outlet (North American 3 prong)
CHEND	Chrome finish		

SW2 and GCO options available for 120V models only

4 Ft High Output

SERIES	LENS MATERIAL	LENGTH	WATTAGE & LUMENS	DRIVER	COLOR
BKA	MW Smooth White Acrylic	48L 48"	H72W6600L 72 Watts 6600 Lumens _____ * _____ *	DMV 0-10V Dimming	30K 3000K 35K 3500K 40K 4000K 50K 5000K

FINISH		OPTIONS	
Blank	White (standard)	SW2	Pull chain, 2 way switching (Use with single ballast)
CH	Chrome finish	GCO	Ground convenience outlet (North American 3 prong)
CHEND	Chrome finish		

SW2 and GCO options available for 120V models only

ORDER INFORMATION

2 Ft Standard

SERIES	LENS MATERIAL	LENGTH	WATTAGE & LUMENS	DRIVER	COLOR
BKA	MW Smooth White Acrylic	24L 24"	S24W2250L 24 Watts 2250 Lumens S28W2550L 28 Watts 2550 Lumens _____ * _____ *	DMV 0-10V Dimming	30K 3000K 35K 3500K 40K 4000K 50K 5000K

FINISH	WATTAGE & LUMENS
Blank White (standard)	SW2 Pull chain, 2 way switching (Use with single ballast)
CH Chrome finish	GCO Ground convenience outlet (North American 3 prong)
CHEND Chrome finish	

SW2 and GCO options available for 120V models only

2 Ft High Output

SERIES	LENS MATERIAL	LENGTH	WATTAGE & LUMENS	DRIVER	COLOR
BKA	MW Smooth White Acrylic	24L 24"	H36W3300L 36 Watts 3300 Lumens _____ * _____ *	DMV 0-10V Dimming	30K 3000K 35K 3500K 40K 4000K 50K 5000K

FINISH	WATTAGE & LUMENS
Blank White (standard)	SW2 Pull chain, 2 way switching (Use with single ballast)
CH Chrome finish	GCO Ground convenience outlet (North American 3 prong)
CHEND Chrome finish	

SW2 and GCO options available for 120V models only

Note:

*Programmable LED drivers allow custom configured wattages and corresponding lumens.

We reserve the right to change design, materials, LED's and finish in any way that will not alter installed appearance or reduce function and performance.