

# Polygon Series

## The Fan

The Polygon series offers an interesting opportunity to create a statement in your space with a hanging luminaire system. Choose from multiple standard patterns or develop your own custom pattern of L23 fixtures.

The Fan has specially designed brackets that allow for construction of this symmetric, radial configuration. The popular L23 fixtures provide bright, white and energy efficient illumination with up and down lighting options. Revolutionize lighting in your space with an innovative and refreshing fixture.

### CONSTRUCTION

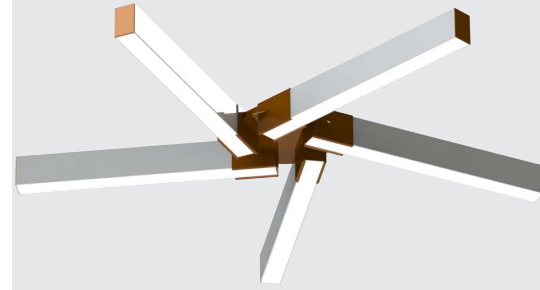
Brackets are laser cut, fabricated, and robot-welded from 14-gauge powder coated cold-rolled steel with custom colors available.

### OPTIONS

14W emergency battery backup integrated in all fixtures 4 foot long and above.

### FLAIR

Customize the color of your brackets and/or end caps to add flair to your unique hanging luminaire system. Consult factory for more information.



### SYSTEM DIMENSIONS

24" L23 fixture: Nominal Diameter = 51"  
48" L23 fixture: Nominal Diameter = 99"  
72" L23 fixture: Nominal Diameter = 147"

### SPECIFICATIONS

- 3 standard bracket configurations – 3, 5, and 6 fixtures
- Customizable bracket, fixture, and end cap colors available
- Pendant mount for multiple ceiling types
- Many lumen package / wattage options via programmable drivers
- Multiple Kelvin temperature options (3000K, 3500K, 4000K, 5000K)
- Emergency battery backup options available
- CRI >80 (90 available)
- >50,000 hrs of L70 LED life
- Rated for dry and damp locations
- 0 - 10 Volt dimmable 120-277V
- Power factor >0.90
- 5 year warranty



### ORDERING GUIDE

Factory at your fingertips. Fill in the blanks to create your part number or create a custom configuration.

Sample Part Number: PLY23-P-FR-51-LT-U60-D100-DMV-WH-30K-RD-EM14-F5

SERIES	MOUNTING	DIFFUSER	DIAMETER <sup>1</sup>	GEAR	WATTAGE & LUMENS* <sup>2</sup>	
PLY23	P Pendant	FR Frosted	51 D = 51"	LT	Up & Down	U36D60 Uplight 36W & 4140 Lumens, Downlight 60W & 6900 Lumens (F3)
						U60D100 Uplight 60W & 6900 Lumens, Downlight 100W & 11500 Lumens (F5)
						U72D120 Uplight 72W & 8280 Lumens, Downlight 120W & 13800 Lumens (F6)
					Down Only	D60 Downlight 60W & 6900 Lumens (F3)
						D100 Downlight 100W & 11500 Lumens (F5)
						D120 Downlight 120W & 13800 Lumens (F6)
			99 D = 99"	Up & Down	U72D120 Uplight 72W & 8280 Lumens, Downlight 120W & 13800 Lumens (F3)	
					U120D200 Uplight 120W & 13800 Lumens, Downlight 200W & 23000 Lumens (F5)	
					U144D240 Uplight 144W & 16560 Lumens, Downlight 240W & 27600 Lumens (F6)	
				Down Only	D120 Downlight 120W & 13800 Lumens (F3)	
					D200 Downlight 200W & 23000 Lumens (F5)	
					D240 Downlight 240W & 27600 Lumens (F6)	
147 D = 147"	Up & Down	U108D180 Uplight 108W & 12420 Lumens, Downlight 180W & 20700 Lumens (F3)				
		U180D300 Uplight 180W & 20700 Lumens, Downlight 300W & 34500 Lumens (F5)				
		U216D360 Uplight 216W & 28840 Lumens, Downlight 360W & 41400 Lumens (F6)				
	Down Only	D180 Downlight 180W & 20700 Lumens (F3)				
		D300 Downlight 300W & 34500 Lumens (F5)				
		D360 Downlight 360W & 41400 Lumens (F6)				

DRIVER		FINISH <sup>3</sup>		CCT <sup>4</sup>		FLAIR <sup>5</sup>		OPTIONS			
DMV	0-10V Dimming	WH	White	30K	3000K/>80 CRI	RD	Red	EM14	14W Emergency battery backup (integrated in fixtures 4 ft and up)		
		BK	Black	35K	3500K/>80 CRI	BL	Blue				
DMV11	0-10V Dimming Separate drivers for uplight and downlight	SL	Silver	40K	4000K/>80 CRI	BK	Matte Black			-F3	Fan (3 Fixtures)
				50K	5000K/>80 CRI					-F5	Fan (5 Fixtures)
										-F6	Fan (6 Fixtures)

- Note:
- Fan configurations are measured by an overall system diameter.
  - Values shown are totals per system, minimum individual fixture wattage is 10W. Minimum 5W per fixture foot uplight and downlight. Maximum 7W per fixture foot uplight and 14W per fixture foot downlight. For uplight only, change the 'D' to 'U' in the Down Only sections. Power feed cable is 18AWG, power drop is required every 800W or 48 feet for 0-10V dimming, whichever comes first. EM not available in fixtures 4' and shorter if there is uplight and downlight.
  - Consult product catalog for more finish color options.
  - Consult factory for 90 CRI options.
  - NEW!** Personalize your lighting even further by choosing a standard flair color for your brackets, at no additional cost, from the guide on the following page.
  - PLY23 Fan configurations come with specially designed hanging kits that are specific to the the fan configuration chosen. Includes 12' cables.  
 \* Programmable LED drivers allow custom configured wattages and corresponding lumens.

We reserve the right to change design, materials, LED's and finish in any way that will not alter installed appearance or reduce function and performance.

CATALOG#: \_\_\_\_\_  
PROJECT: \_\_\_\_\_  
TYPE: \_\_\_\_\_

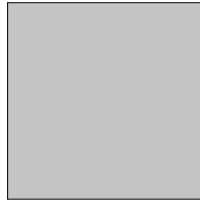
### STANDARD FLAIR BRACKET COLORS AND FINISHES



Gloss Black  
(GB)



Matte Black  
(BK)



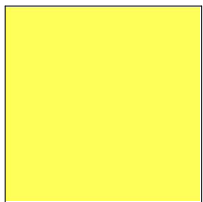
Matte Silver  
(SL)



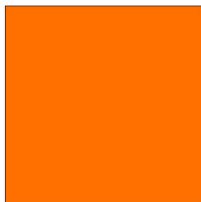
Statuary Bronze  
(BZ)



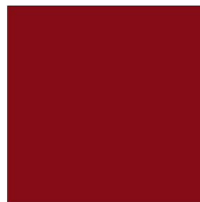
Glimmer (Iron)  
(IR)



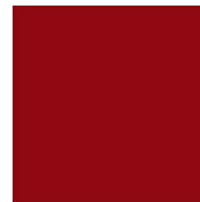
Safety Yellow  
(YL)



Safety Orange  
(OR)



Red  
(RD)



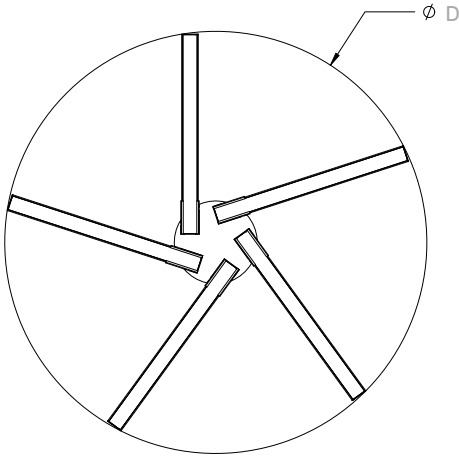
Fire Engine Red  
(FR)



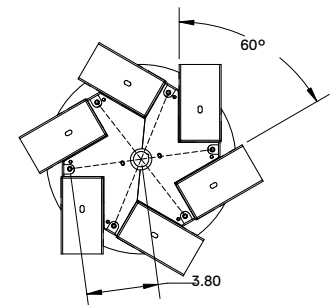
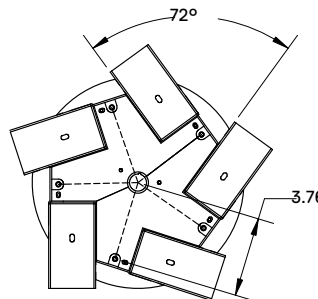
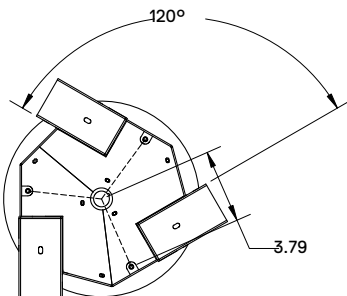
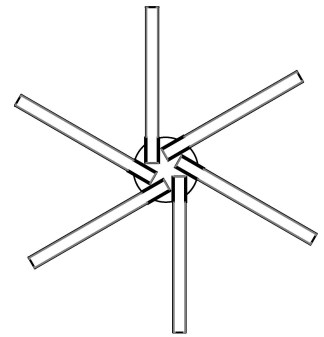
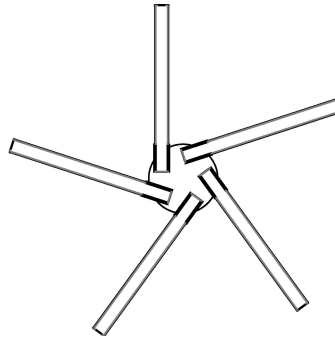
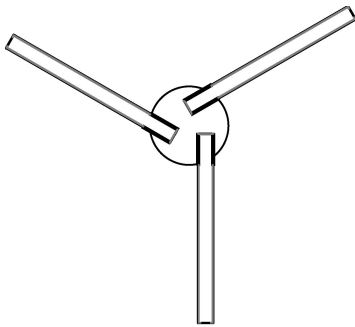
Blue  
(BL)

**NOTE:** Factory offers any Tiger Drylac RAL finish, contact Saylite for more information. Consult factory to special order custom 'real wood' finishes.

## PRODUCT DIMENSIONS



Sample Part Number	Nominal Diameter
PLY23PFR51LTU60D100DMVWH30KRD-(F3/F5/F6)	Ø = 51 in.
PLY23PFR99LTU120D200DMVWH30KRD-(F3/F5/F6)	Ø = 99 in.
PLY23PFR147LTU180D300DMVWH30KRD-(F3/F5/F6)	Ø = 147 in.



F3 - 3 Fixture Fan

F5 - 5 Fixture Fan

F6 - 6 Fixture Fan

# Polygon Series

## The Triangle

The Polygon series offers an interesting opportunity to create a statement in your space with a hanging luminaire system. Choose from multiple standard patterns or develop your own custom pattern of L23 fixtures.

The Triangle has specially designed brackets that allow for construction of this equilateral triangle configuration. The popular L23 fixtures provide bright, white and energy efficient illumination with up and down lighting options. Revolutionize lighting in your space with an innovative and refreshing fixture.

### CONSTRUCTION

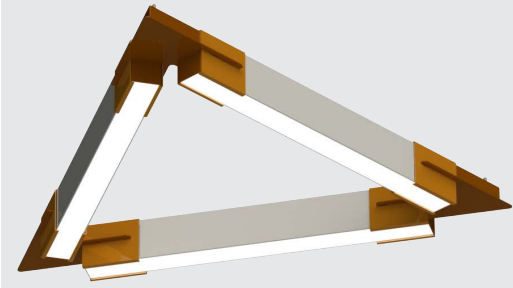
Brackets are laser cut, fabricated, and robot-welded from 14-gauge powder coated cold-rolled steel with custom colors available.

### OPTIONS

14W emergency battery backup integrated in all fixtures 4 foot long and above.

### FLAIR

Customize the color of your brackets and/or end caps to add flair to your unique hanging luminaire system. Consult factory for more information.



### SYSTEM DIMENSIONS

24" L23 fixture: 30" W x 35" L x 3.23" H

48" L23 fixture: 51" W x 59" L x 3.23" H

72" L23 fixture: 72" W x 83" L x 3.23" H

96" L23 fixture: 93" W x 107" L x 3.23" H

### SPECIFICATIONS

- 4 standard fixture sizes – 24" , 48" , 72" , and 96"
- Customizable bracket, fixture, and end cap colors available
- Pendant mount for multiple ceiling types.
- Many lumen package / wattage options via programmable drivers
- Multiple Kelvin temperature options (3000K, 3500K, 4000K, 5000K)
- Emergency battery backup options available
- CRI >80 (90 available)
- >50,000 hrs of L70 LED life
- Rated for dry and damp locations
- 0 - 10 Volt dimmable 120-277V (120V ELV/TRIAC avail)
- Power factor >0.90
- 5 year warranty



### ORDERING GUIDE

Factory at your fingertips. Fill in the blanks to create your part number or create a custom configuration.

Sample Part Number: PLY23-P-FR-30X35-LT-U36-D60-DMV-WH-30K-RD-EM14-TR

SERIES	MOUNTING	DIFFUSER	WIDTH X LENGTH <sup>1</sup>	GEAR	WATTAGE & LUMENS* <sup>2</sup>	
PLY23	P Pendant	FR Frosted	30X35 30"W x 35"L	LT	Up & Down	U36D60 Uplight 36W & 4140 Lumens, Downlight 60W & 6900 Lumens
						D60 Downlight 60W & 6900 Lumens
					Down Only	U72D120 Uplight 72W & 8280 Lumens, Downlight 120W & 13800 Lumens
						D120 Downlight 120W & 13800 Lumens
			51X59 51"W x 59"L	LT	Up & Down	U108D180 Uplight 108W & 12420 Lumens, Downlight 180W & 20700 Lumens
						D180 Downlight 180W & 20700 Lumens
					Down Only	U144D240 Uplight 144W & 16560 Lumens, Downlight 240W & 27600 Lumens
						D240 Downlight 240W & 27600 Lumens
			72X83 72"W x 83"L	LT	Up & Down	U108D180 Uplight 108W & 12420 Lumens, Downlight 180W & 20700 Lumens
						D180 Downlight 180W & 20700 Lumens
					Down Only	U144D240 Uplight 144W & 16560 Lumens, Downlight 240W & 27600 Lumens
						D240 Downlight 240W & 27600 Lumens
93X107 93"W x 107"L	LT	Up & Down	U144D240 Uplight 144W & 16560 Lumens, Downlight 240W & 27600 Lumens			
			D240 Downlight 240W & 27600 Lumens			
		Down Only	U144D240 Uplight 144W & 16560 Lumens, Downlight 240W & 27600 Lumens			
			D240 Downlight 240W & 27600 Lumens			

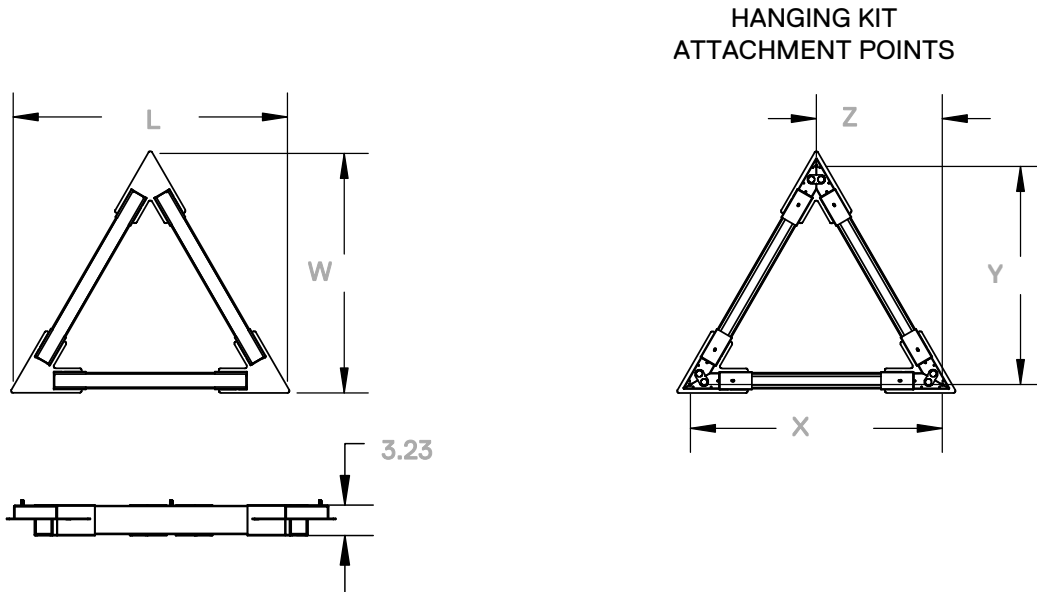
DRIVER		FINISH <sup>3</sup>		CCT <sup>4</sup>		FLAIR <sup>5</sup>		OPTIONS	
DMV	0-10V Dimming	WH	White	30K	3000K/>80 CRI	RD	Red	EM14	14W Emergency battery backup (integrated in fixtures 4 ft and up)
		BK	Black	35K	3500K/>80 CRI	BL	Blue		
DMV11	0-10V Dimming Separate drivers for uplight and downlight	SL	Silver	40K	4000K/>80 CRI	BK	Matte Black	EM14	14W Emergency battery backup (integrated in fixtures 4 ft and up)
				50K	5000K/>80 CRI				
								-TR	Triangle

- Note:
- Triangle configurations are measured by an overall system width and length.
  - Values shown are totals per system, minimum individual fixture wattage is 10W. Minimum 5W per fixture foot uplight and downlight. Maximum 7W per fixture foot uplight and 14W per fixture foot downlight. For uplight only, change the 'D' to 'U' in the Down Only sections. Power feed cable is 18AWG, power drop is required every 800W or 48 feet for 0-10V dimming, whichever comes first. EM not available in fixtures 4' and shorter if there is uplight and downlight.
  - Consult product catalog for more finish color options.
  - Consult factory for 90 CRI options.
  - NEW!** Personalize your lighting even further by choosing a standard flair color for your brackets, at no additional cost, from the guide on the following page.
  - HC912 hanging kit comes standard with PLY23 fixtures. Consult factory for other options.

\*Programmable LED drivers allow custom configured wattages and corresponding lumens.

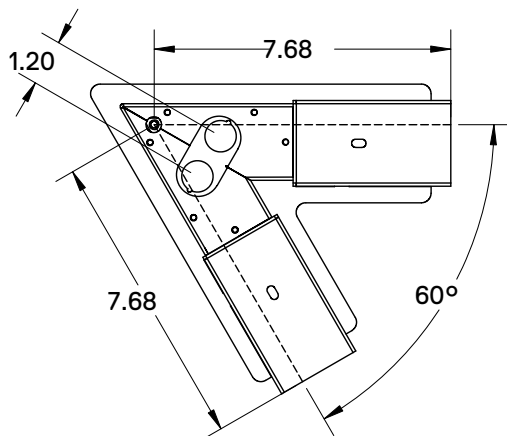
We reserve the right to change design, materials, LED's and finish in any way that will not alter installed appearance or reduce function and performance.

## PRODUCT DIMENSIONS



Sample Part Number	W	L	X	Y	Z
PLY23PFR30X35LTU36D60DMVWH30KRD-TR	30 in.	35 in.	31.5 in.	27.25 in.	15.75 in.
PLY23PFR51X59LTU72D120DMVWH30KRD-TR	51 in.	59 in.	55.5 in.	48 in.	27.75 in.
PLY23PFR72X83LTU108D180DMVWH30KRD-TR	72 in.	83 in.	79.5 in.	68.875 in.	39.75 in.
PLY23PFR93X107LTU144D240DMVWH30KRD-TR	93 in.	107 in.	103.5 in.	89.625 in.	51.75 in.

## BRACKET DIMENSIONS



# Polygon Series

## The Square/Rectangle

The Polygon series offers an interesting opportunity to create a statement in your space with a hanging luminaire system. Choose from multiple standard patterns or develop your own custom pattern of L23 fixtures.

The Square has specially designed brackets that allow for construction of either square or rectangle configurations. The popular L23 fixtures provide bright, white and energy efficient illumination with up and down lighting options. Revolutionize lighting in your space with an innovative and refreshing fixture.

### CONSTRUCTION

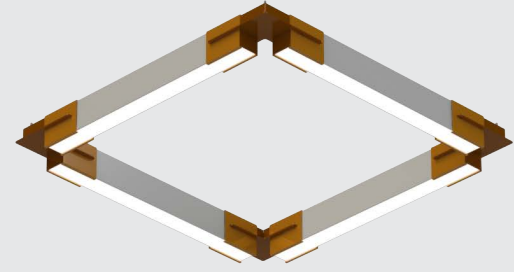
Brackets are laser cut, fabricated, and robot-welded from 14-gauge powder coated cold-rolled steel with custom colors available.

### OPTIONS

14W emergency battery backup integrated in all fixtures 4 foot long and above.

### FLAIR

Customize the color of your brackets and/or end caps to add flair to your unique hanging luminaire system. Consult factory for more information.



### SYSTEM DIMENSIONS

- 24" L23s: 32" L x 32" W x 3.23" H
- 48" L23s: 56" L x 56" W x 3.23" H
- 72" L23s: 80" L x 80" W x 3.23" H
- 96" L23s: 104" L x 104" W x 3.23" H

### SPECIFICATIONS

- 4 standard fixture lengths – 24" , 48" , 72" , and 96"
- Customizable bracket, fixture, and end cap colors available.
- Pendant mount for multiple ceiling types.
- Many lumen package / wattage options via programmable drivers
- Multiple Kelvin temperature options (3000K, 3500K, 4000K, 5000K)
- Emergency battery backup options available
- CRI >80 (90 available)
- >50,000 hrs of L70 LED life
- Rated for dry and damp locations
- 0 - 10 Volt dimmable 120-277V (120V ELV/TRIAC avail)
- Power factor >0.90
- 5 year warranty





### ORDERING GUIDE

Factory at your fingertips. Fill in the blanks to create your part number or create a custom configuration.

Sample Part Number: PLY23-P-FR-32X32-LT-U48-D80-DMV-WH-30K-RD-EM14-SQ

SERIES	MOUNTING	DIFFUSER	WIDTH X LENGTH <sup>1</sup>	GEAR	WATTAGE & LUMENS* <sup>2</sup>	
PLY23	P Pendant	FR Frosted	32X32 32"W x 32"L	LT	Up & Down	U48D80 Uplight 48W & 5520 Lumens, Downlight 80W & 9200 Lumens
						Down Only
					Up & Down	U96D160 Uplight 96W & 11040 Lumens, Downlight 160W & 18400 Lumens
						Down Only
			80X80 80"W x 80"L		Up & Down	U144D240 Uplight 144W & 16560 Lumens, Downlight 240W & 27600 Lumens
						Down Only
					Up & Down	U192D320 Uplight 192W & 22080 Lumens, Downlight 320W & 36800 Lumens
						Down Only

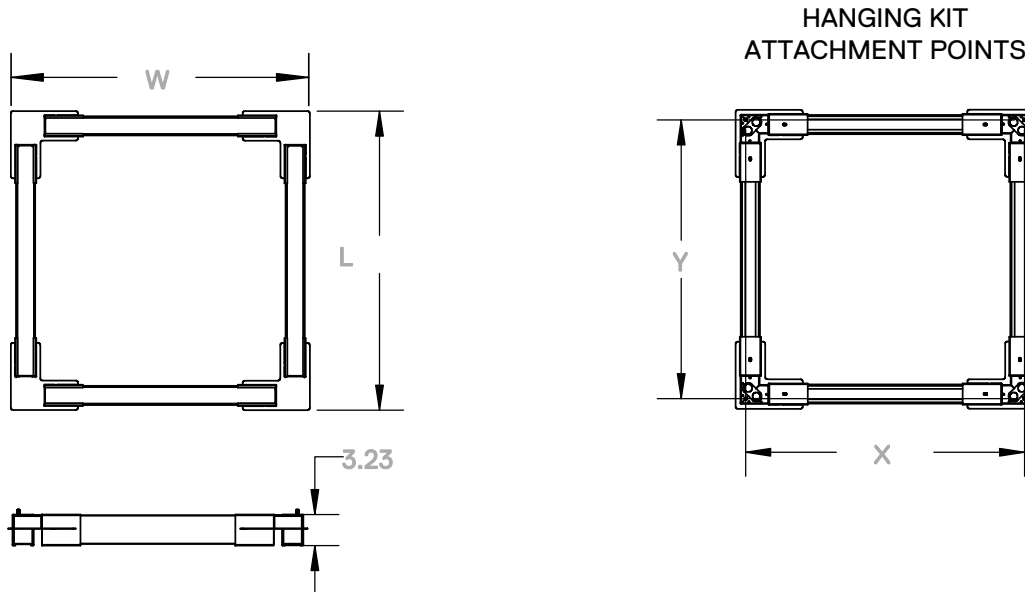
DRIVER		FINISH <sup>3</sup>		CCT <sup>4</sup>		FLAIR <sup>5</sup>		OPTIONS	
DMV	0-10V Dimming	WH	White	30K	3000K/>80 CRI	RD	Red	EM14 14W Emergency battery backup (integrated in fixtures 4 ft and up)	CONFIGURATION
		BK	Black	35K	3500K/>80 CRI	BL	Blue		
	DMV11	0-10V Dimming Separate drivers for uplight and downlight	SL	Silver	40K	4000K/>80 CRI	BK		
50K					5000K/>80 CRI	-RT		Rectangle	

- Note:
- Square/rectangle configurations are measured by an overall system length and width.
  - Values shown are totals per system, minimum individual fixture wattage is 10W. Minimum 5W per fixture foot uplight and downlight. Maximum 7W per fixture foot uplight and 14W per fixture foot downlight. For uplight only, change the 'D' to 'U' in the Down Only sections. Power feed cable is 18AWG, power drop is required every 800W or 48 feet for 0-10V dimming, whichever comes first. EM not available in fixtures 4' and shorter if there is uplight and downlight.
  - Consult product catalog for more finish color options.
  - Consult factory for 90 CRI options.
  - NEW!** Personalize your lighting even further by choosing a standard flair color for your brackets, at no additional cost, from the guide on the following page.
  - HC912 hanging kit comes standard with PLY23 fixtures. Consult factory for other options.

\*Programmable LED drivers allow custom configured wattages and corresponding lumens.

We reserve the right to change design, materials, LED's and finish in any way that will not alter installed appearance or reduce function and performance.

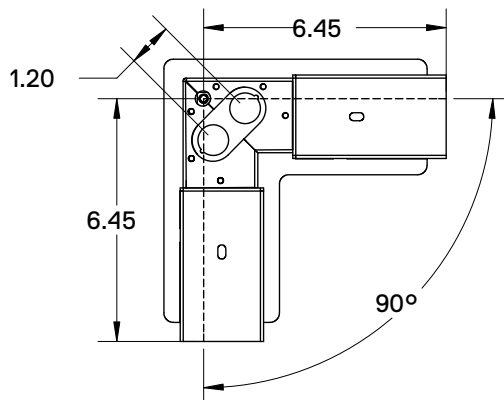
## PRODUCT DIMENSIONS



Sample Part Number	W	L	X	Y
PLY23PFR32X32LTU48D80DMVWH30KRD-SQ	32 in.	32 in.	29 in.	29 in.
PLY23PFR56X56LTU96D160DMVWH30KRD-SQ	56 in.	56 in.	53 in.	53 in.
PLY23PFR80X80LTU144D240DMVWH30KRD-SQ	80 in.	80 in.	77 in.	77 in.
PLY23PFR104X104LTU192D320DMVWH30KRD-SQ	104 in.	104 in.	101 in.	101 in.

Values shown in table rounded to nearest 1/8th of an inch.

## BRACKET DIMENSIONS



# Polygon Series

## The Pentagon

The Polygon series offers an interesting opportunity to create a statement in your space with a hanging luminaire system. Choose from multiple standard patterns or develop your own custom pattern of L23 fixtures.

The Pentagon has specially designed brackets that allow for construction of this symmetric pentagon configuration. The popular L23 fixtures provide bright, white and energy efficient illumination with up and down lighting options. Revolutionize lighting in your space with an innovative and refreshing fixture.

### CONSTRUCTION

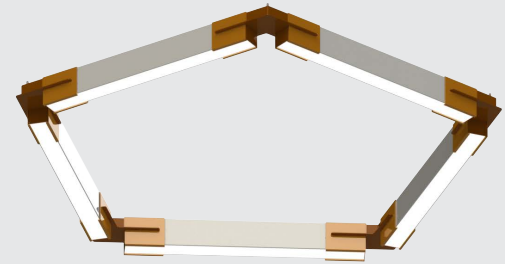
Brackets are laser cut, fabricated, and robot-welded from 14-gauge powder coated cold-rolled steel with custom colors available.

### OPTIONS

14W emergency battery backup integrated in all fixtures 4 foot long and above.

### FLAIR

Customize the color of your brackets and/or end caps to add flair to your unique hanging luminaire system. Consult factory for more information.



### SYSTEM DIMENSIONS

24" L23 fixture: 57" D x 3.23" H

48" L23 fixture: 92" D x 3.23" H

72" L23 fixture: 133" D x 3.23" H

96" L23 fixture: 174" D x 3.23" H

### SPECIFICATIONS

- 4 standard fixture lengths – 24", 48", 72", and 96"
- Customizable bracket, fixture, and end cap colors available
- Pendant mount for multiple ceiling types
- Many lumen package / wattage options via programmable drivers
- Multiple Kelvin temperature options (3000K, 3500K, 4000K, 5000K)
- Emergency battery backup options available (remote only)
- CRI >80 (90 available)
- >50,000 hrs of L70 LED life
- Rated for dry and damp locations
- 0 - 10 Volt dimmable 120-277V (120V ELV/TRIAC avail)
- Power factor >0.90
- 5 year warranty



### ORDERING GUIDE

Factory at your fingertips. Fill in the blanks to create your part number or create a custom configuration.

Sample Part Number: PLY23-P-FR-57-LT-U60-D100-DMV-WH-30K-RD-EM14-PT

SERIES	MOUNTING	DIFFUSER	DIAMETER <sup>1</sup>	GEAR	WATTAGE & LUMENS* <sup>2</sup>				
PLY23	P Pendant	FR Frosted	57 D = 57"	LT	Up & Down	U60D100 Uplight 60W & 6900 Lumens, Downlight 100W & 11500 Lumens			
						Down Only	D100 Downlight 100W & 11500 Lumens		
							Up & Down	U120D200 Uplight 120W & 13800 Lumens, Downlight 200W & 23000 Lumens	
					Down Only			D200 Downlight 200W & 23000 Lumens	
						133 D = 133"		LT	Up & Down
							Down Only		
			174 D = 174"	LT	Up & Down				
									Down Only

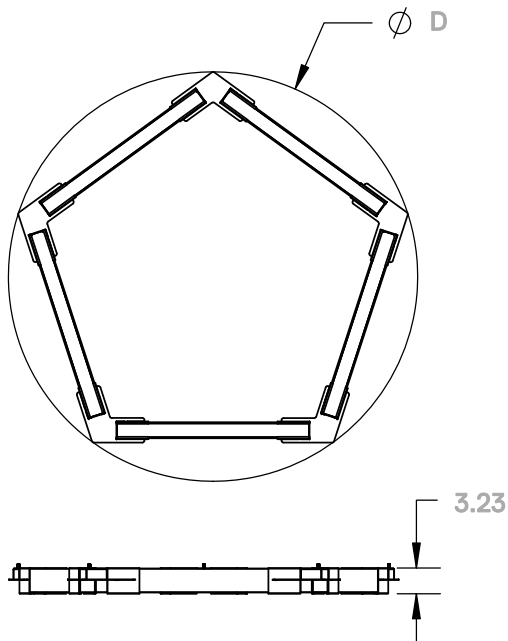
DRIVER		FINISH <sup>3</sup>		CCT <sup>4</sup>		FLAIR <sup>5</sup>		OPTIONS	
DMV	0-10V Dimming	WH	White	30K	3000K/>80 CRI	RD	Red	EM14	14W Emergency battery backup (integrated in fixtures 4 ft and up)
		BK	Black	35K	3500K/>80 CRI	BL	Blue		
	DMV11	0-10V Dimming Separate drivers for uplight and downlight	SL	Silver	40K	4000K/>80 CRI	BK		
				50K	5000K/>80 CRI				

- Note:
- Pentagon configurations are measured by an overall system diameter.
  - Values shown are totals per system, minimum individual fixture wattage is 10W. Minimum 5W per fixture foot uplight and downlight. Maximum 7W per fixture foot uplight and 14W per fixture foot downlight. For uplight only, change the 'D' to 'U' in the Down Only sections. Power feed cable is 18AWG, power drop is required every 800W or 48 feet for 0-10V dimming, whichever comes first. EM not available in fixtures 4' and shorter if there is uplight and downlight.
  - Consult product catalog for more finish color options.
  - Consult factory for 90 CRI options.
  - NEW!** Personalize your lighting even further by choosing a standard flair color for your brackets, at no additional cost, from the guide on the following page.
  - HC912 hanging kit comes standard with PLY23 fixtures. Consult factory for other options.

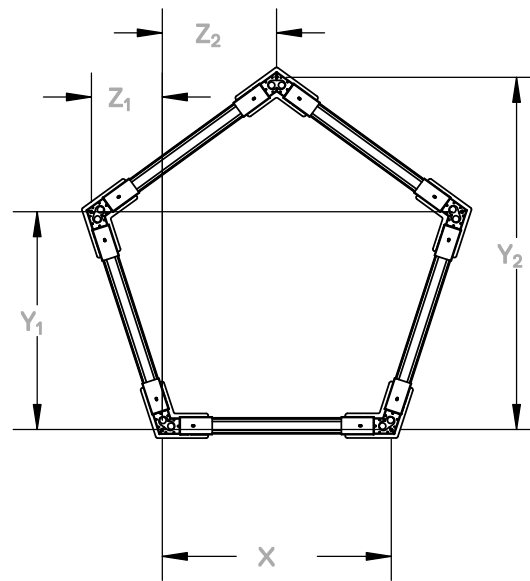
\*Programmable LED drivers allow custom configured wattages and corresponding lumens.

We reserve the right to change design, materials, LED's and finish in any way that will not alter installed appearance or reduce function and performance.

## PRODUCT DIMENSIONS



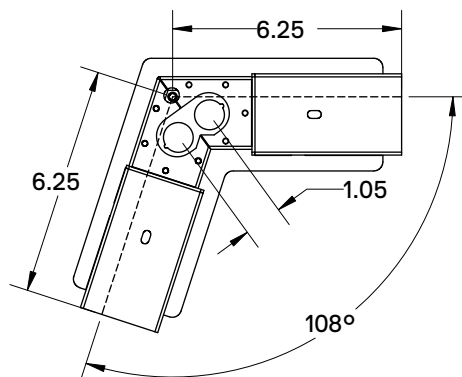
## HANGING KIT ATTACHMENT POINTS



Sample Part Number	Nominal Diameter	X	Y <sub>1</sub>	Z <sub>1</sub>	Y <sub>2</sub>	Z <sub>2</sub>
PLY23PFR57LTU60D100DMVWH30KRD-PT	Ø = 57 in.	28.625 in.	27.25 in.	8.875 in.	44 in.	14.25 in.
PLY23PFR92LTU120D200DMVWH30KRD-PT	Ø = 92 in.	52.625 in.	50 in.	16.25 in.	81 in.	26.375 in.
PLY23PFR133LTU180D300DMVWH30KRD-PT	Ø = 133 in.	76.625 in.	72.875 in.	23.75 in.	118 in.	38.25 in.
PLY23PFR174LTU240D400DMVWH30KRD-PT	Ø = 174 in.	100.625 in.	95.75 in.	31 in.	154.875 in.	50.375 in.

Values shown in table rounded to nearest 1/8th of an inch.

## BRACKET DIMENSIONS



# Polygon Series

## The Hexagon

The Polygon series offers an interesting opportunity to create a statement in your space with a hanging luminaire system. Choose from multiple standard patterns or develop your own custom pattern of L23 fixtures.

The Hexagon has specially designed brackets that allow for construction of this equilateral hexagon configuration. The popular L23 fixtures provide bright, white and energy efficient illumination with up and down lighting options. Revolutionize lighting in your space with an innovative and refreshing fixture.

### CONSTRUCTION

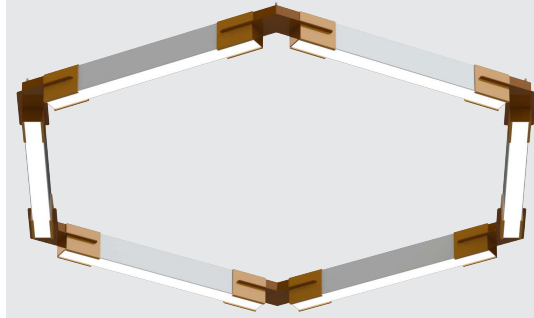
Brackets are laser cut, fabricated, and robot-welded from 14-gauge powder coated cold-rolled steel with custom colors available.

### OPTIONS

14W emergency battery backup integrated in all fixtures 4 foot long and above.

### FLAIR

Customize the color of your brackets and/or end caps to add flair to your unique hanging luminaire system. Consult factory for more information.



### SYSTEM DIMENSIONS

24" L23 fixture: 61" D x 3.23" H  
48" L23 fixture: 109" D x 3.23" H  
72" L23 fixture: 157" D x 3.23" H  
96" L23 fixture: 205" D x 3.23" H

### SPECIFICATIONS

- 4 standard fixture lengths – 24", 48", 72", and 96"
- Customizable bracket, fixture, and end cap colors available
- Pendant mount for multiple ceiling types
- Many lumen package / wattage options via programmable drivers
- Multiple Kelvin temperature options (3000K, 3500K, 4000K, 5000K)
- Emergency battery backup options available (remote only)
- CRI >80 (90 available)
- >50,000 hrs of L70 LED life
- Rated for dry and damp locations
- 0 - 10 Volt dimmable 120-277V (120V ELV/TRIAC avail)
- Power factor >0.90
- 5 year warranty



### ORDERING GUIDE

Factory at your fingertips. Fill in the blanks to create your part number or create a custom configuration.

Sample Part Number: PLY23-P-FR-69-LT-U72-D120-DMV-WH-30K-RD-EM14-HX

SERIES	MOUNTING	DIFFUSER	DIAMETER <sup>1</sup>	GEAR	WATTAGE & LUMENS* <sup>2</sup>				
PLY23	P Pendant	FR Frosted	69 D = 69"	LT	Up & Down	U72D120 Uplight 72W & 8280 Lumens, Downlight 120W & 13800 Lumens			
						Down Only	D120 Downlight 120W & 13800 Lumens		
							Up & Down	U144D240 Uplight 144W & 16560 Lumens, Downlight 240W & 27600 Lumens	
					Down Only			D240 Downlight 240W & 27600 Lumens	
						157 D = 157"		LT	Up & Down
							Down Only		
			205 D = 205"	LT	Up & Down				
									Down Only

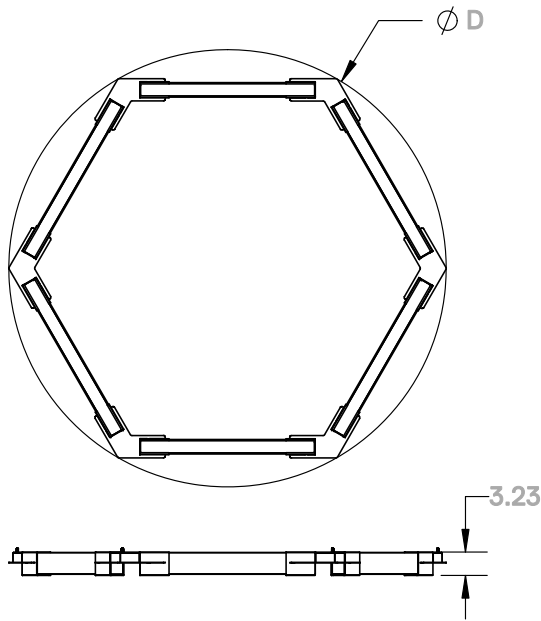
DRIVER		FINISH <sup>3</sup>		CCT <sup>4</sup>		FLAIR <sup>5</sup>		OPTIONS	
DMV	0-10V Dimming	WH	White	30K	3000K/>80 CRI	RD	Red	EM14	14W Emergency battery backup (integrated in fixtures 4 ft and up)
		BK	Black	35K	3500K/>80 CRI	BL	Blue		
	DMV11	0-10V Dimming Separate drivers for uplight and downlight	SL	Silver	40K	4000K/>80 CRI	BK		
50K					5000K/>80 CRI				

- Note:
- Hexagon configurations are measured by an overall system diameter.
  - Values shown are totals per system, minimum individual fixture wattage is 10W. Minimum 5W per fixture foot uplight and downlight. Maximum 7W per fixture foot uplight and 14W per fixture foot downlight. For uplight only, change the 'D' to 'U' in the Down Only sections. Power feed cable is 18AWG, power drop is required every 800W or 48 feet for 0-10V dimming, whichever comes first. EM not available in fixtures 4' and shorter if there is uplight and downlight.
  - Consult product catalog for more finish color options.
  - Consult factory for 90 CRI options.
  - NEW!** Personalize your lighting even further by choosing a standard flair color for your brackets, at no additional cost, from the guide on the following page.
  - HC912 hanging kit comes standard with PLY23 fixtures. Consult factory for other options.

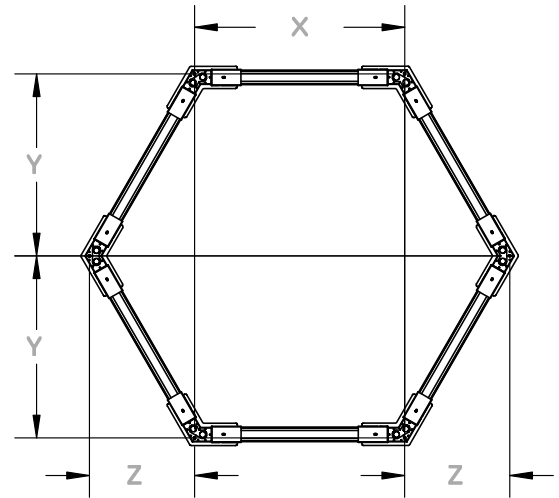
\*Programmable LED drivers allow custom configured wattages and corresponding lumens.

We reserve the right to change design, materials, LED's and finish in any way that will not alter installed appearance or reduce function and performance.

## PRODUCT DIMENSIONS



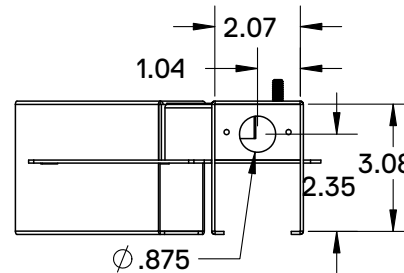
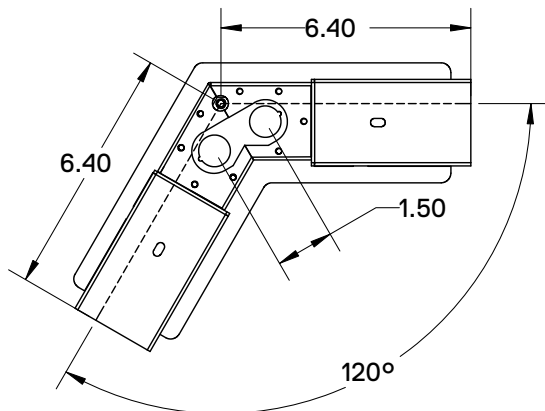
## HANGING KIT ATTACHMENT POINTS



Sample Part Number	Nominal Diameter	X	Y	Z
PLY23PFR69LTU36D72DMVWH30KRD-HX	$\phi = 69$ in.	29 in.	25 in.	14.5 in.
PLY23PFR109LTU72D144DMVWH30KRD-HX	$\phi = 109$ in.	53 in.	45.875 in.	26.5 in.
PLY23PFR157LTU108D216DMVWH30KRD-HX	$\phi = 157$ in.	77 in.	66.625 in.	38.5 in.
PLY23PFR205LTU144D288DMVWH30KRD-HX	$\phi = 205$ in.	101 in.	87.5 in.	50.5 in.

Values shown in table rounded to nearest 1/8th of an inch.

## BRACKET DIMENSIONS





# Polygon Series

## The Octagon

The Polygon series offers an interesting opportunity to create a statement in your space with a hanging luminaire system. Choose from multiple standard patterns or develop your own custom pattern of L23 fixtures.

The Octagon has specially designed brackets that allow for construction of this symmetric octagon configuration. The popular L23 fixtures provide bright, white and energy efficient illumination with up and down lighting options. Revolutionize lighting in your space with an innovative and refreshing fixture.

### CONSTRUCTION

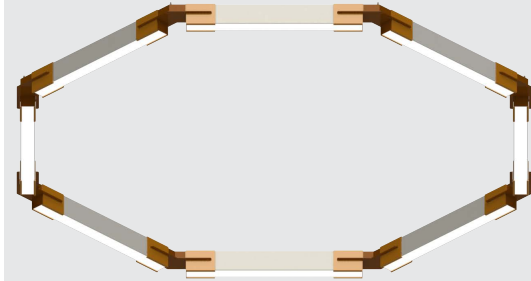
Brackets are laser cut, fabricated, and robot-welded from 14-gauge powder coated cold-rolled steel with custom colors available.

### OPTIONS

14W emergency battery backup integrated in all fixtures 4 foot long and above.

### FLAIR

Customize the color of your brackets and/or end caps to add flair to your unique hanging luminaire system. Consult factory for more information.



### SYSTEM DIMENSIONS

24" L23 fixture: 77"D x 3.23"H

48" L23 fixture: 202"D x 3.23"H

72" L23 fixture: 223"D x 3.23"H

96" L23 fixture: 265"D x 3.23"H

### SPECIFICATIONS

- 4 standard fixture sizes – 24" , 48" , 72" , and 96"
- Customizable bracket, fixture, and end cap colors available
- Pendant mount for multiple ceiling types.
- Many lumen package / wattage options via programmable drivers
- Multiple Kelvin temperature options (3000K, 3500K, 4000K, 5000K)
- Emergency battery backup options available
- CRI >80 (90 available)
- >50,000 hrs of L70 LED life
- Rated for dry and damp locations
- 0 - 10 Volt dimmable 120-277V (120V ELV/TRIAC avail)
- Power factor >0.90
- 5 year warranty



### ORDERING GUIDE

Factory at your fingertips. Fill in the blanks to create your part number or create a custom configuration.

Sample Part Number: PLY23-P-FR-77-LT-U96-D180-DMV-WH-30K-RD-EM14-OT

SERIES	MOUNTING	DIFFUSER	DIAMETER <sup>1</sup>	GEAR	WATTAGE & LUMENS* <sup>2</sup>
PLY23	P Pendant	FR Frosted	77 D = 77"	LT	Up & Down <b>U96D160</b> Uplight 96W & 11040 Lumens, Downlight 160W & 18400 Lumens
					Down Only <b>D160</b> Downlight 160W & 18400 Lumens
					Up & Down <b>U192D320</b> Uplight 192W & 22080 Lumens, Downlight 320W & 36800 Lumens
					Down Only <b>D320</b> Downlight 320W & 36800 Lumens
			203 D = 203"	LT	Up & Down <b>U288D480</b> Uplight 288W & 33120 Lumens, Downlight 480W & 55200 Lumens
					Down Only <b>D480</b> Downlight 480W & 55200 Lumens
					Up & Down <b>U384D640</b> Uplight 384W & 44160 Lumens, Downlight 640W & 73600 Lumens
					Down Only <b>D640</b> Downlight 640W & 73600 Lumens
			223 D = 223"	LT	Up & Down <b>U288D480</b> Uplight 288W & 33120 Lumens, Downlight 480W & 55200 Lumens
					Down Only <b>D480</b> Downlight 480W & 55200 Lumens
					Up & Down <b>U384D640</b> Uplight 384W & 44160 Lumens, Downlight 640W & 73600 Lumens
					Down Only <b>D640</b> Downlight 640W & 73600 Lumens
265 D = 265"	LT	Up & Down <b>U384D640</b> Uplight 384W & 44160 Lumens, Downlight 640W & 73600 Lumens			
		Down Only <b>D640</b> Downlight 640W & 73600 Lumens			
		Up & Down <b>U384D640</b> Uplight 384W & 44160 Lumens, Downlight 640W & 73600 Lumens			
		Down Only <b>D640</b> Downlight 640W & 73600 Lumens			

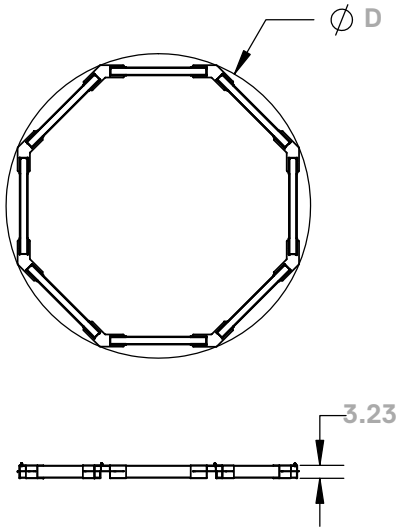
DRIVER	FINISH <sup>3</sup>	CCT <sup>4</sup>	FLAIR <sup>5</sup>	OPTIONS	
DMV 0-10V Dimming	WH White	30K 3000K/>80 CRI	RD Red	EM14 14W Emergency battery backup (integrated in fixtures 4 ft and up)	CONFIGURATION -OT Octagon
	BK Black	35K 3500K/>80 CRI	BL Blue		
DMV11 0-10V Dimming Separate drivers for uplight and downlight	SL Silver	40K 4000K/>80 CRI	BK Matte Black		
		50K 5000K/>80 CRI			

- Note:
- Octagon configurations are measured by an overall system diameter.
  - Values shown are totals per system, minimum individual fixture wattage is 10W. Minimum 5W per fixture foot uplight and downlight. Maximum 7W per fixture foot uplight and 14W per fixture foot downlight. For uplight only, change the 'D' to 'U' in the Down Only sections. Power feed cable is 18AWG, power drop is required every 800W or 48 feet for 0-10V dimming, whichever comes first. EM not available in fixtures 4' and shorter if there is uplight and downlight. Two power drops required when 96" fixtures are used.
  - Consult product catalog for more finish color options.
  - Consult factory for 90 CRI options.
  - NEW!** Personalize your lighting even further by choosing a standard flair color for your brackets, at no additional cost, from the guide on the following page.
  - HC912 hanging kit comes standard with PLY23 fixtures. Consult factory for other options.

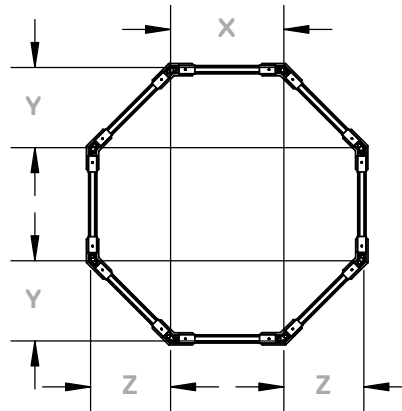
\*Programmable LED drivers allow custom configured wattages and corresponding lumens.

We reserve the right to change design, materials, LED's and finish in any way that will not alter installed appearance or reduce function and performance.

## PRODCUT DIMENSIONS



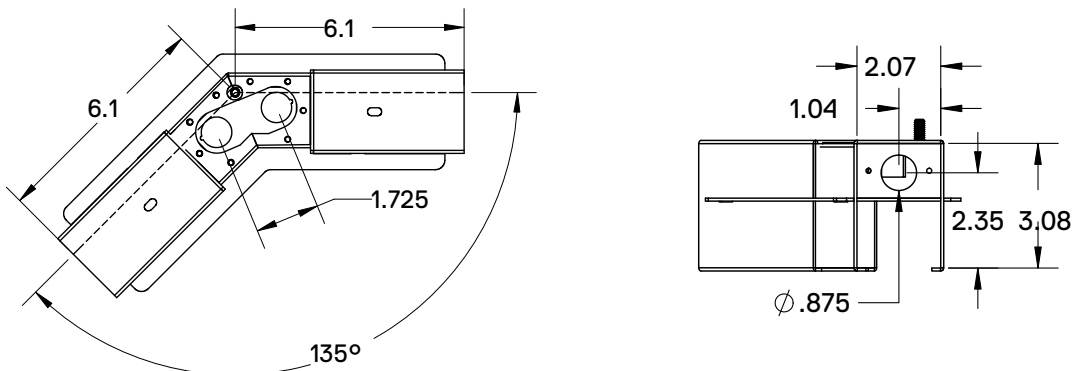
## HANGING KIT ATTACHMENT POINTS



Sample Part Number	Nominal Diameter	X	Y	Z
PLY23PFR77LTU96D160DMVWH30KRD-OT	$\varnothing = 77$ in.	28.375 in.	20 in.	20 in.
PLY23PFR202LTU192D320DMVWH30KRD-OT	$\varnothing = 202$ in.	52.375 in.	37 in.	37 in.
PLY23PFR223LTU288D480DMVWH30KRD-OT	$\varnothing = 223$ in.	76.375 in.	54 in.	54 in.
PLY23PFR265LTU384D640DMVWH30KRD-OT	$\varnothing = 265$ in.	100.375 in.	71 in.	71 in.

Values shown in table rounded to nearest 1/8th of an inch.

## BRACKET DIMENSIONS



# Polygon Series

## The Parallel

The Polygon series offers an interesting opportunity to create a statement in your space with a hanging luminaire system. Choose from multiple standard patterns or develop your own custom pattern of L23 fixtures.

The Parallel has specially designed brackets that allow for construction of linear parallel configurations. The popular L23 fixtures provide bright, white and energy efficient illumination with up and down lighting options. Revolutionize lighting in your space with an innovative and refreshing fixture.

### CONSTRUCTION

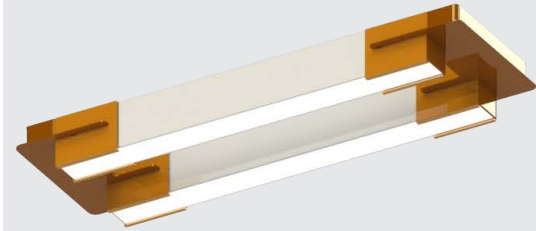
Brackets are laser cut, fabricated, and robot-welded from 14-gauge powder coated cold-rolled steel with custom colors available.

### OPTIONS

14W emergency battery backup integrated in all fixtures 4 foot long and above.

### FLAIR

Customize the color of your brackets and/or end caps to add flair to your unique hanging luminaire system. Consult factory for more information.



### SYSTEM DIMENSIONS

24" L23 fixture: 29"L x 9"W x 3"H  
48" L23 fixture: 53"L x 9"W x 3"H  
72" L23 fixture: 77"L x 9"W x 3"H  
96" L23 fixture: 101"L x 9"W x 3"H

### SPECIFICATIONS

- 4 standard fixture sizes - 24", 48", 72", and 96"
- Several bracket options
- Customizable bracket, fixture, and end cap colors available
- Pendant mount for multiple ceiling types.
- Many lumen package / wattage options via programmable drivers
- Multiple Kelvin temperature options (3000K, 3500K, 4000K, 5000K)
- Emergency battery backup options available
- CRI >80 (90 available)
- >50,000 hrs of L70 LED life
- Rated for dry and damp locations
- 0 - 10 Volt dimmable 120-277V (120V ELV/TRIAC avail)
- Power factor >0.90
- 5 year warranty



### ORDERING GUIDE

Factory at your fingertips. Fill in the blanks to create your part number or create a custom configuration.

Sample Part Number: PLY23-P-FR-9X29-LT-U24D40-DMV-WH-30K-RD-EM14-P

SERIES	MOUNTING	DIFFUSER	WIDTH X LENGTH <sup>1</sup>	GEAR	WATTAGE & LUMENS* <sup>2</sup>		
PLY23	P Pendant	FR Frosted	9X29 9"W x 29"L	LT	Up & Down	U24D40 Uplight 24W & 2760 Lumens, Downlight 40W & 4600 Lumens	
						Down Only	D40 Downlight 40W & 4600 Lumens
							Up & Down
					Down Only		
						Up & Down	U72D120 Uplight 72W & 8280 Lumens, Downlight 120W & 13800 Lumens
					Down Only		D120 Downlight 120W & 13800 Lumens
			9X101 9"W x 101"L	LT		Up & Down	U96D160 Uplight 96W & 11040 Lumens, Downlight 160W & 18400 Lumens
					Down Only		D160 Downlight 160W & 18400 Lumens

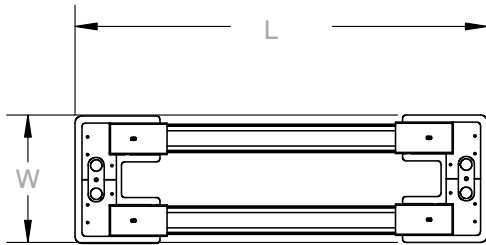
DRIVER		FINISH <sup>3</sup>		CCT <sup>4</sup>		FLAIR <sup>5</sup>		OPTIONS	
DMV	0-10V Dimming	WH	White	30K	3000K/>80 CRI	RD	Red	EM14	14W Emergency battery backup (integrated in fixtures 4 ft and up)
		BK	Black	35K	3500K/>80 CRI	BL	Blue		
DMV11	0-10V Dimming Separate drivers for uplight and downlight	SL	Silver	40K	4000K/>80 CRI	BK	Matte Black	-P	Parallel
				50K	5000K/>80 CRI				

- Note:
- Parallel configurations are measured by an overall system width and length.
  - Values shown are totals per system, minimum individual fixture wattage is 10W. Minimum 5W per fixture foot uplight and downlight. Maximum 7W per fixture foot uplight and 14W per fixture foot downlight. For uplight only, change the 'D' to 'U' in the Down Only sections. Power feed cable is 18AWG, power drop is required every 800W or 48 feet for 0-10V dimming, whichever comes first. EM not available in fixtures 4' and shorter if there is uplight and downlight.
  - Consult product catalog for more finish color options.
  - Consult factory for 90 CRI options.
  - NEW!** Personalize your lighting even further by choosing a standard flair color for your brackets, at no additional cost, from the guide on the following page.
  - HC912 hanging kit comes standard with PLY23 fixtures. Consult factory for other options.

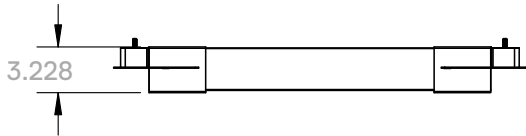
\*Programmable LED drivers allow custom configured wattages and corresponding lumens.

We reserve the right to change design, materials, LED's and finish in any way that will not alter installed appearance or reduce function and performance.

## PRODUCT DIMENSIONS



Sample Part Number	W	L
PLY23PFR9X29LTU24D40DMVWH30KRD-P	9 in.	29.132 in.
PLY23PFR9X53LTU48D80DMVWH30KRD-P	9 in.	53.132 in.
PLY23PFR9X77LTU72D120DMVWH30KRD-P	9 in.	77.132 in.
PLY23PFR9X101LTU96D160DMVWH30KRD-P	9 in.	101.132 in.



**\*NOTE:** This is an example configuration, contact a Saylite representative to create your own custom pattern using the brackets shown on the following pages. Custom patterns will require design and drawing approval.

# Polygon Series

## The Wall Wash

The Polygon series offers an interesting opportunity to create a statement in your space with a hanging luminaire system. Choose from multiple standard patterns or develop your own custom pattern of L23 fixtures.

The Wall Wash has specially designed brackets that allow for construction of a linear wall wash configuration. The popular L23 fixtures provide bright, white and energy efficient illumination with up and down lighting options. Revolutionize lighting in your space with an innovative and refreshing fixture.

### CONSTRUCTION

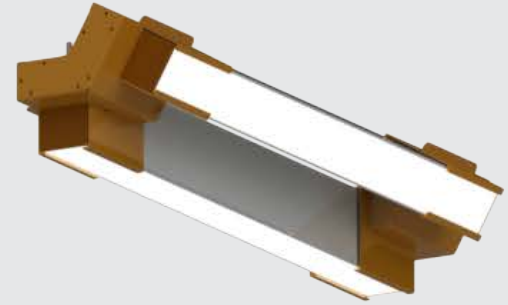
Brackets are laser cut, fabricated, and robot-welded from 14-gauge powder coated cold-rolled steel with custom colors available.

### OPTIONS

14W emergency battery backup integrated in all fixtures 4 foot long and above.

### FLAIR

Customize the color of your brackets and/or end caps to add flair to your unique hanging luminaire system. Consult factory for more information.



### INDIVIDUAL FIXTURE DIMENSIONS

24" L23: 24"L x 2"W x 3"H

48" L23: 48"L x 2"W x 3"H

72" L23: 72"L x 2"W x 3"H

96" L23: 96"L x 2"W x 3"H

### SPECIFICATIONS

- 4 standard fixture sizes – 24", 48", 72", and 96"
- 4 standard patterns with custom patterns available
- Customizable bracket, fixture, and end cap colors available
- Pendant mount for multiple ceiling types.
- Many lumen package / wattage options via programmable drivers
- Multiple Kelvin temperature options (3000K, 3500K, 4000K, 5000K)
- Emergency battery backup options available
- CRI >80 (90 available)
- >50,000 hrs of L70 LED life
- Rated for dry and damp locations
- 0 - 10 Volt dimmable 120-277V (120V ELV/TRIAC avail)
- Power factor >0.90
- 5 year warranty



### ORDERING GUIDE

Factory at your fingertips. Fill in the blanks to create your part number or create a custom configuration.

Sample Part Number: PLY23-P-FR-6X27-LT-U12-D40-DMV-WH-30K-RD-EM14-WW

SERIES	MOUNTING	DIFFUSER	DIAMETER <sup>1</sup>	GEAR	WATTAGE & LUMENS* <sup>2</sup>		
PLY23	P Pendant	FR Frosted	6X27 6.5"W x 27"L	LT	Up & Down U12D40 Uplight 12W & 1380 Lumens, Downlight 40W & 4600 Lumens		
					Down Only D40 Downlight 40W & 4600 Lumens		
					Up & Down U24D80 Uplight 24W & 2760 Lumens, Downlight 80W & 9200 Lumens		
					Down Only D80 Downlight 80W & 9200 Lumens		
			6X51 6.5"W x 51"L	LT	Up & Down U36D120 Uplight 36W & 4140 Lumens, Downlight 120W & 13800 Lumens		
					Down Only D120 Downlight 120W & 13800 Lumens		
					Up & Down U48D160 Uplight 48W & 5520 Lumens, Downlight 160W & 18400 Lumens		
					Down Only D160 Downlight 160W & 18400 Lumens		
			6X75 6.5"W x 75"L	LT	6X99 6.5"W x 99"L	LT	Up & Down U12D40 Uplight 12W & 1380 Lumens, Downlight 40W & 4600 Lumens
							Down Only D40 Downlight 40W & 4600 Lumens
							Up & Down U24D80 Uplight 24W & 2760 Lumens, Downlight 80W & 9200 Lumens
							Down Only D80 Downlight 80W & 9200 Lumens

DRIVER	FINISH <sup>3</sup>	CCT <sup>4</sup>	FLAIR <sup>5</sup>	OPTIONS	
DMV 0-10V Dimming	WH White	30K 3000K/>80 CRI	RD Red	EM14 14W Emergency battery backup (integrated in fixtures 4 ft and up)	CONFIGURATION -WW Wall Wash
	BK Black	35K 3500K/>80 CRI	BL Blue		
DMV11 0-10V Dimming Separate drivers for uplight and downlight	SL Silver	40K 4000K/>80 CRI	BK Matte Black		
		50K 5000K/>80 CRI			

Note:

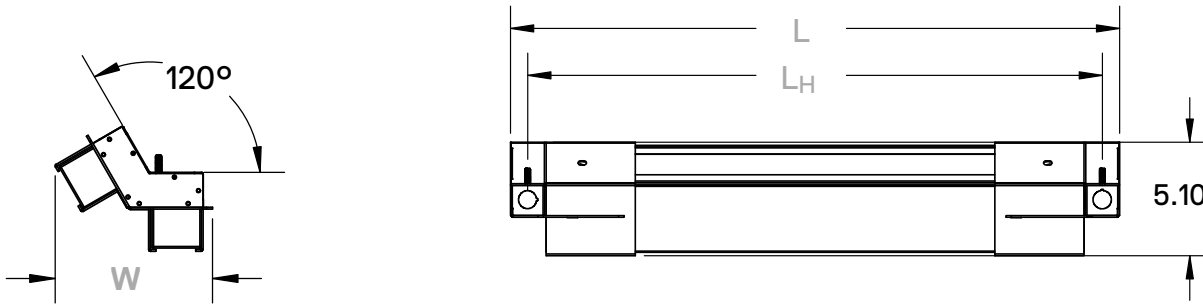
- Wall wash configurations are measured by an overall system width and length.
- Values shown are totals per system, minimum individual fixture wattage is 10W. Uplight only available on vertical fixture. Minimum 5W per fixture foot uplight and downlight. Maximum 7W per fixture foot uplight and 14W per fixture foot downlight. For uplight only, change the 'D' to 'U' in the Down Only sections. Power feed cable is 18AWG, power drop is required every 800W or 48 feet for 0-10V dimming, whichever comes first. EM not available in fixtures 4' and shorter if there is uplight and downlight.
- Consult product catalog for more finish color options.
- Consult factory for 90 CRI options.
- NEW!** Personalize your lighting even further by choosing a standard flair color for your brackets, at no additional cost, from the guide on the following page.
- HC912 hanging kit comes standard with PLY23 fixtures. Consult factory for other options.

\*Programmable LED drivers allow custom configured wattages and corresponding lumens.

We reserve the right to change design, materials, LED's and finish in any way that will not alter installed appearance or reduce function and performance.



## PRODUCT DIMENSIONS



**NOTE:** Consult factory to alter angle of wall wash bracket.

Sample Part Number	W	L	L <sub>H</sub>
PLY23PFR6X27LTU12D40DMVWH30KRD-WW	6.5 in.	27.334 in.	25.79 in
PLY23PFR6X51LTU24D80DMVWH30KRD-WW	6.5 in.	51.334 in.	49.79 in
PLY23PFR6X75LTU36D120DMVWH30KRD-WW	6.5 in.	75.334 in.	73.79 in
PLY23PFR6X99LTU48D160DMVWH30KRD-WW	6.5 in.	99.334 in.	97.79 in

# Polygon Series

## The Cross

The Polygon series offers an interesting opportunity to create a statement in your space with a hanging luminaire system. Choose from multiple standard patterns or develop your own custom pattern of L23 fixtures.

The Cross has specially designed brackets that allow for construction of 'X' shaped configurations. The popular L23 fixtures provide bright, white and energy efficient illumination with up and down lighting options. Revolutionize lighting in your space with an innovative and refreshing fixture.

### CONSTRUCTION

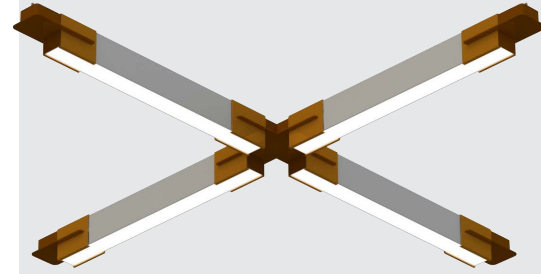
Brackets are laser cut, fabricated, and robot-welded from 14-gauge powder coated cold-rolled steel with custom colors available.

### OPTIONS

14W emergency battery backup integrated in all fixtures 4 foot long and above.

### FLAIR

Customize the color of your brackets and/or end caps to add flair to your unique hanging luminaire system. Consult factory for more information.



### SYSTEM DIMENSIONS

24" L23 fixture: 60"L x 60"W x 3"H

48" L23 fixture: 108"L x 108"W x 3"H

72" L23 fixture: 156"L x 156"W x 3"H

96" L23 fixture: 204"L x 204"W x 3"H

### SPECIFICATIONS

- 4 standard fixture sizes – 24", 48", 72", and 96"
- Several bracket options
- Customizable bracket, fixture, and end cap colors available
- Pendant mount for multiple ceiling types.
- Many lumen package / wattage options via programmable drivers
- Multiple Kelvin temperature options (3000K, 3500K, 4000K, 5000K)
- Emergency battery backup options available
- CRI >80 (90 available)
- >50,000 hrs of L70 LED life
- Rated for dry and damp locations
- 0 - 10 Volt dimmable 120-277V (120V ELV/TRIAC avail)
- Power factor >0.90
- 5 year warranty



### ORDERING GUIDE

Factory at your fingertips. Fill in the blanks to create your part number or create a custom configuration.

Sample Part Number: PLY23-P-FR-60X60-LT-U48-D80-DMV-WH-30K-RD-EM14-CR

SERIES	MOUNTING	DIFFUSER	DIAMETER <sup>1</sup>	GEAR	WATTAGE & LUMENS* <sup>2</sup>			
PLY23	P Pendant	FR Frosted	60X60 60"W x 60"L	LT	Up & Down	U48D80	Uplight 48W & 5520 Lumens, Downlight 80W & 9200 Lumens	
						Down Only	D80	Downlight 80W & 9200 Lumens
					Up & Down		U96D160	Uplight 96W & 11040 Lumens, Downlight 160W & 18400 Lumens
						Down Only	D160	Downlight 160W & 18400 Lumens
					108X108 108"W x 108"L		Up & Down	U144D240
						Down Only		D240
			Up & Down				U192D320	Uplight 192W & 22080 Lumens, Downlight 320W & 36800 Lumens
						Down Only	D320	Downlight 320W & 36800 Lumens
			156X156 156"W x 156"L		Up & Down		U144D240	Uplight 144W & 16560 Lumens, Downlight 240W & 27600 Lumens
						Down Only	D240	Downlight 240W & 27600 Lumens
			204X204 204"W x 204"L		Up & Down		U192D320	Uplight 192W & 22080 Lumens, Downlight 320W & 36800 Lumens
						Down Only	D320	Downlight 320W & 36800 Lumens

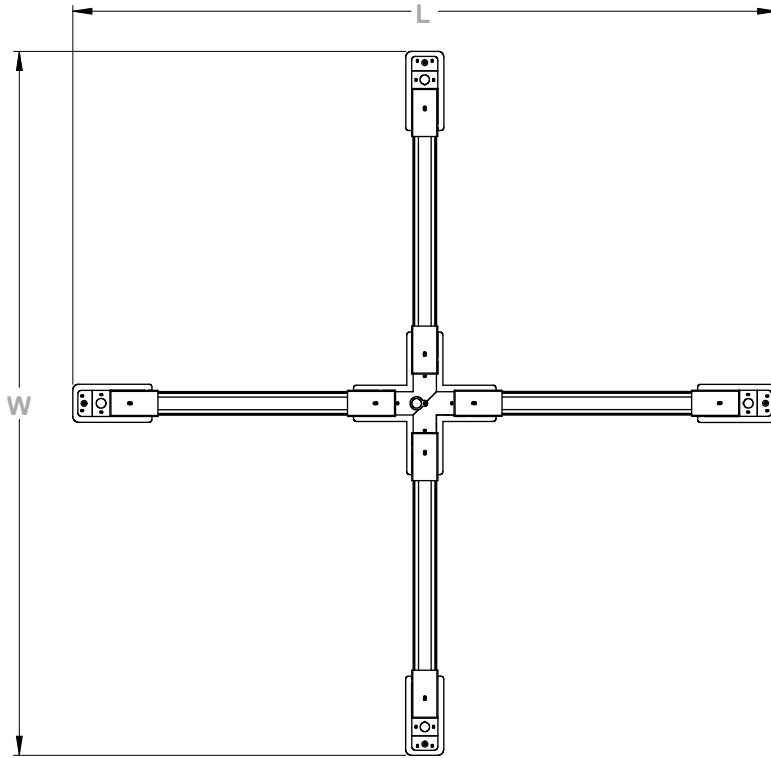
DRIVER		FINISH <sup>3</sup>		CCT <sup>4</sup>		FLAIR <sup>5</sup>		OPTIONS	
DMV	0-10V Dimming	WH	White	30K	3000K/>80 CRI	RD	Red	EM14	14W Emergency battery backup (integrated in fixtures 4 ft and up)
		BK	Black	35K	3500K/>80 CRI	BL	Blue		
DMV11	0-10V Dimming Separate drivers for uplight and downlight	SL	Silver	40K	4000K/>80 CRI	BK	Matte Black	-CR	Cross
				50K	5000K/>80 CRI				

- Note:
- Cross configurations are measured by an overall system diameter.
  - Values shown are totals per system, minimum individual fixture wattage is 10W. Minimum 5W per fixture foot uplight and downlight. Maximum 7W per fixture foot uplight and 14W per fixture foot downlight. For uplight only, change the 'D' to 'U' in the Down Only sections. Power feed cable is 18AWG, power drop is required every 800W or 48 feet for 0-10V dimming, whichever comes first. EM not available in fixtures 4' and shorter if there is uplight and downlight.
  - Consult product catalog for more finish color options.
  - Consult factory for 90 CRI options.
  - NEW!** Personalize your lighting even further by choosing a standard flair color for your brackets, at no additional cost, from the guide on the following page.
  - HC912 hanging kit comes standard with PLY23 fixtures. Consult factory for other options.

\*Programmable LED drivers allow custom configured wattages and corresponding lumens.

We reserve the right to change design, materials, LED's and finish in any way that will not alter installed appearance or reduce function and performance.

## PRODUCT DIMENSIONS



Sample Part Number	W	L
PLY23PFR60X60LTU48D80DMVWH30KRD-CR	60 in.	60 in.
PLY23PFR108X108LTU96D160DMVWH30KRD-CR	108 in.	108 in.
PLY23PFR156X156LTU144D240DMVWH30KRD-CR	156 in.	156 in.
PLY23PFR204X204LTU192D320DMVWH30KRD-CR	204 in.	204 in.

# Polygon Series

## Custom

The Polygon series offers an interesting opportunity to create a statement in your space with a hanging luminaire system. Choose from multiple standard patterns or develop your own custom pattern of L23 fixtures.

The Custom has several specially designed brackets that allow for construction of a near infinite amount of configurations. The popular L23 fixtures provide bright, white and energy efficient illumination with up and down lighting options. Revolutionize lighting in your space with an innovative and refreshing fixture.

## CONSTRUCTION

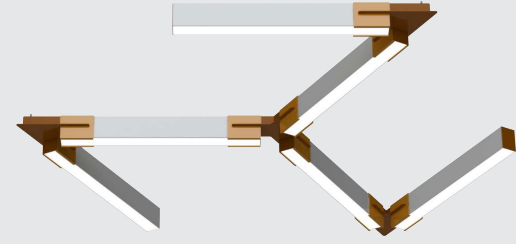
Brackets are laser cut, fabricated, and robot-welded from 14-gauge powder coated cold-rolled steel with custom colors available.

## OPTIONS

14W emergency battery backup integrated in all fixtures 4 foot long and above.

## FLAIR

Customize the color of your brackets and/or end caps to add flair to your unique hanging luminaire system. Consult factory for more information.



## INDIVIDUAL FIXTURE DIMENSIONS

24" L23: 24"L x 2"W x 3"H

48" L23: 48"L x 2"W x 3"H

72" L23: 72"L x 2"W x 3"H

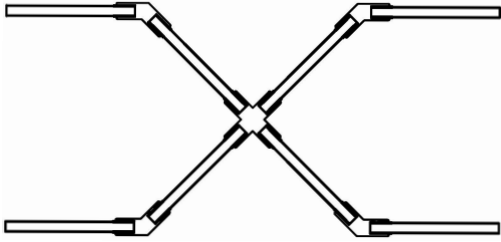
96" L23: 96"L x 2"W x 3"H

## SPECIFICATIONS

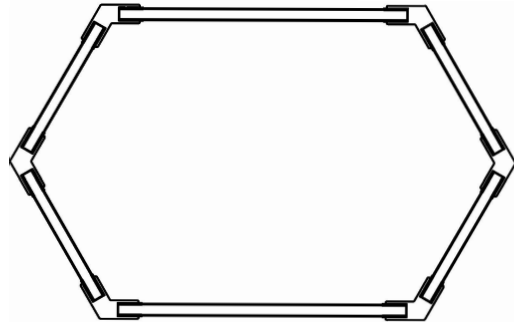
- 4 standard fixture sizes – 24", 48", 72", and 96"
- 4 standard patterns with custom patterns available
- Several bracket options, including adjustable brackets
- Customizable bracket, fixture, and end cap colors available
- Pendant mount for multiple ceiling types.
- Many lumen package / wattage options via programmable drivers
- Multiple Kelvin temperature options (3000K, 3500K, 4000K, 5000K)
- Emergency battery backup options available
- CRI >80 (90 available)
- >50,000 hrs of L70 LED life
- Rated for dry and damp locations
- 0 - 10 Volt dimmable 120-277V (120V ELV/TRIAC avail)
- Power factor >0.90
- 5 year warranty



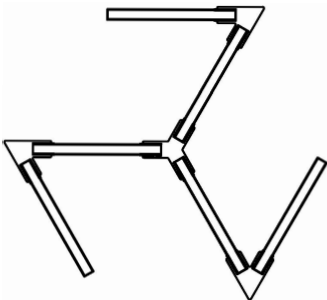
### CUSTOM PATTERNS\*



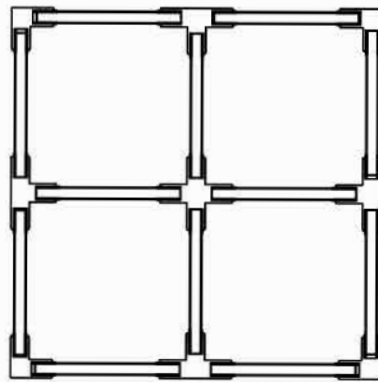
01 - Extend



02 - Expanded Hex



03 - Isle

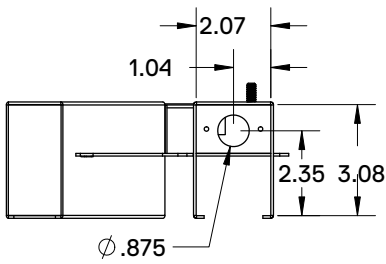
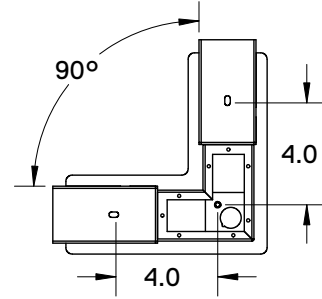
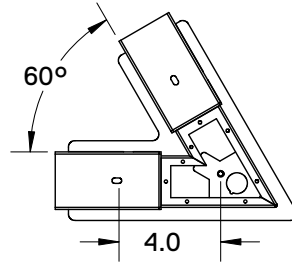
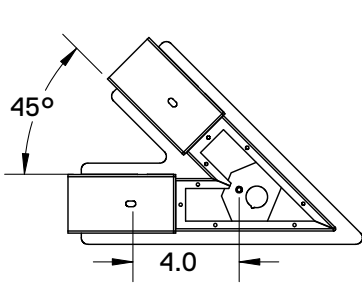


04 - Pane

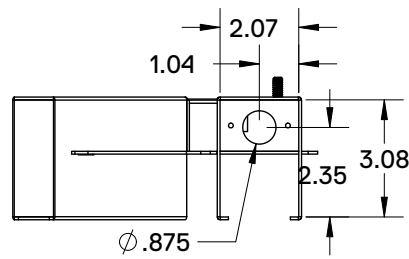
\*NOTE: These patterns represent only a handful of patterns that can be made using the PLY23 system. Contact a Saylite representative for more information about creating your unique pattern.

## BRACKET TYPES AND DIMENSIONS

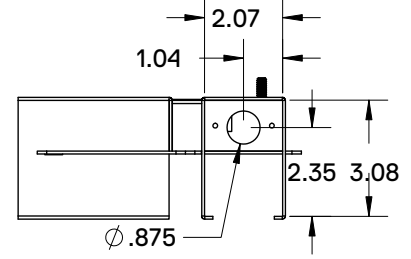
### Polygon Configurations



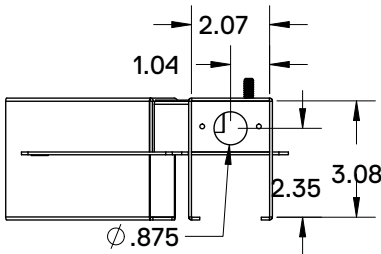
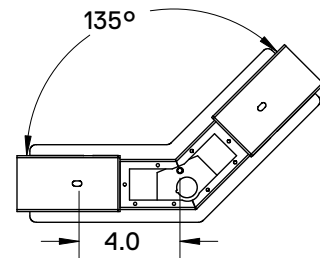
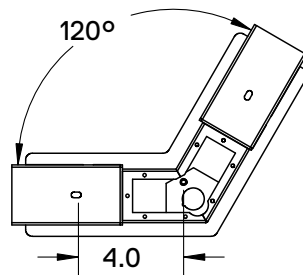
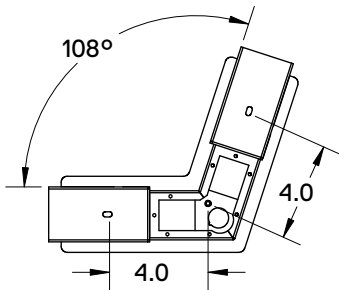
45° Bracket



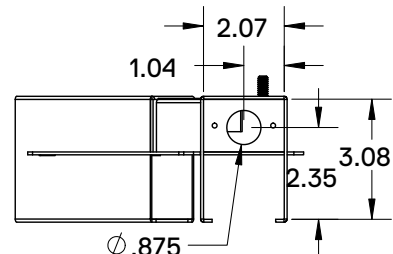
60°(TR) Bracket



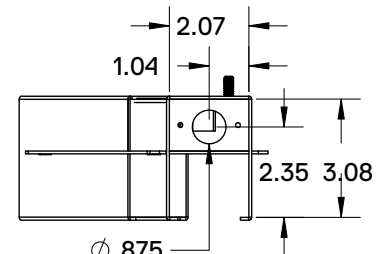
90° (SQ) Bracket



108° (PT) Bracket



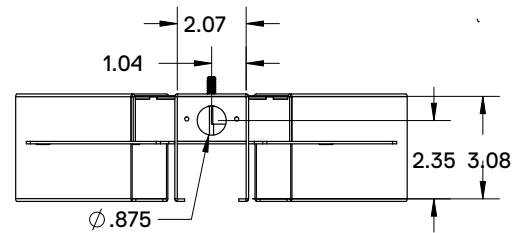
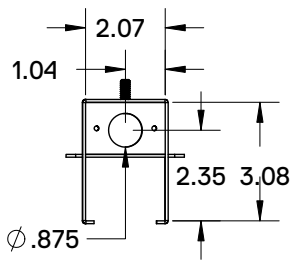
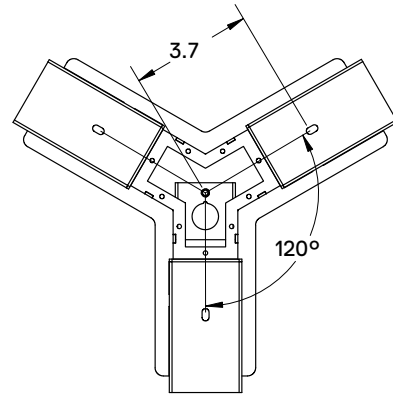
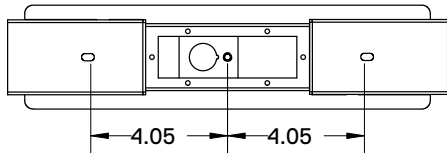
120° (HX) Bracket



135° (OT) Bracket

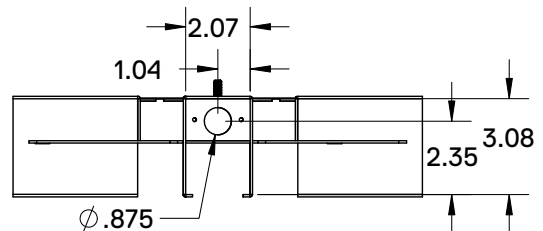
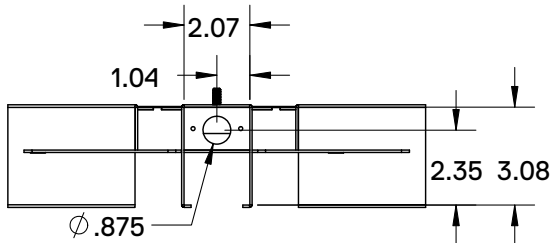
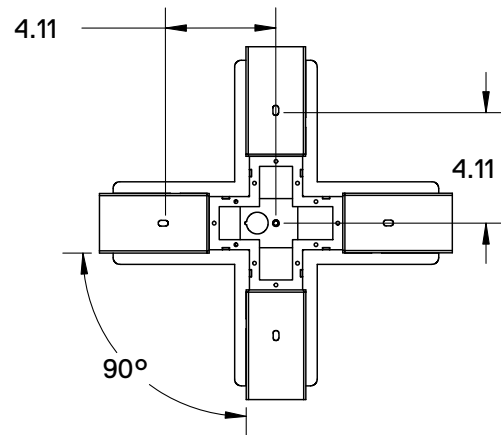
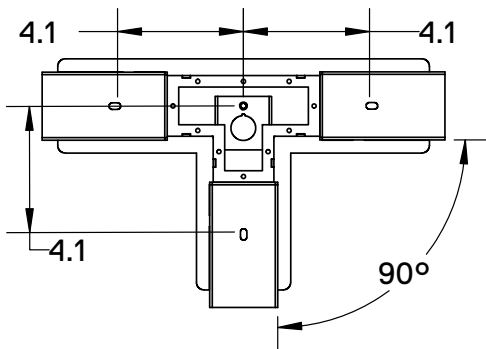
## BRACKET TYPES AND DIMENSIONS

### Custom Configurations



180° Bracket

120° Y Bracket



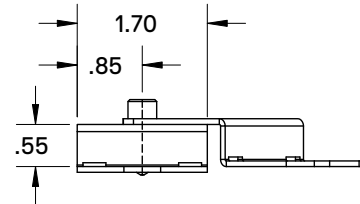
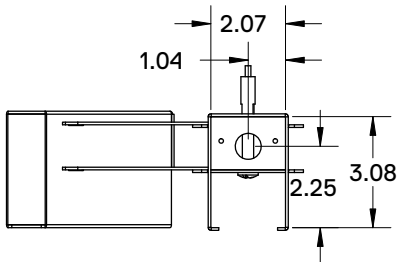
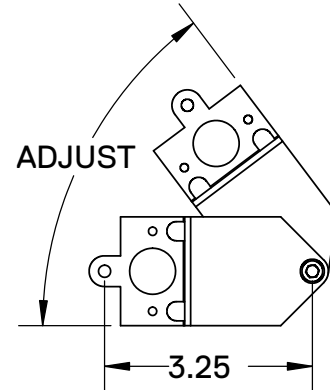
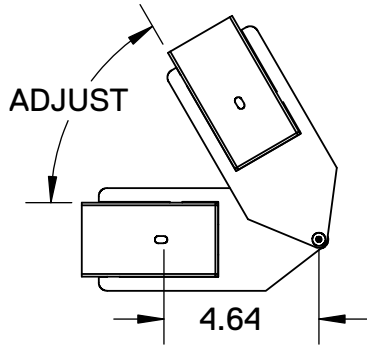
90° T Bracket

90° X Bracket



## BRACKET TYPES AND DIMENSIONS

Custom Configurations



Adjustable Bracket

Adjustable Simple  
Bracket