

### APPLICATIONS

Premium grade fluorescent narrow channel fixture. For use in indoor applications such as factories, warehouses, workshops, utility areas, coves and public buildings where industrial grade is required.

### FEATURES & BENEFITS

- ◆ Snap-on components for easy assembly and maintenance
- ◆ Versatile end plate doubles as coupler for continuous row mounting
- ◆ Asymmetric and symmetric reflectors sold separately
- ◆ Available in lengths from 24 to 96 inches - (2', 3', 4', 8' lengths)
- ◆ Narrow body width 2 3/4" nominal
- ◆ Surface, stem or chain mountable
- ◆ Uses T5, T5HO or T8 lamps
- ◆ UL listed for damp location



### SPECIFICATIONS

Housing is die-formed from cold rolled steel. Finish is high reflectance baked white enamel. Single wireway cover on non-tandem units. Knockouts are provided for stem mounting. Mounting holes are provided. Listed by and bears UL label.

### ORDERING DATA

**EXAMPLE: 42 132MVB1**

42							
Series	# of Lamps	Lamp Type		Ballast Type		Options*	
<b>42</b>	<b>1</b>	<b>15</b>	18" T8	<b>MV</b>	Multivolt 120-277	<b>B1</b>	Battery backup 1 lamp
Premium	<b>2</b>	<b>17</b>	24" T8	<b>120</b>	120 Volt	<b>B2</b>	Battery backup 2 lamp
Channel		<b>24</b>	24" T5	<b>277</b>	277 Volt	<b>+</b>	2 Ballasts
		<b>25</b>	36" T8	<b>R120</b>	Residential 120	<b>RIF</b>	Radio Interference Filter
		<b>28</b>	46" T5	<b>PMV</b>	Program Multivolt		
		<b>28TAN</b>	46" TAN T5	<b>DMV</b>	Dimming MV		* Call for additional options
		<b>32</b>	48" T8	<b>LED</b>	1 End Hot self driven LED tubes**		**See chart below for whip & cord ordering options
		<b>32TAN</b>	2-48" TAN T8	<b>LED2E</b>	2 End Hot self driven LED tubes**		
		<b>54</b>	48" T5HO				
		<b>54TAN</b>	2-48" TAN T5HO				

\*\*Assembled with no ballast, made for UL Listed, self ballasted retrofit LED lamps

#### \*\*Cord & Whip Ordering Chart (Add to End of Fixture Part Number)

Part No.	# of Wires	Length	End Fitting	Finish	Voltage	Amps (TL Only)
<b>WP</b> - Whip	(Blank) 3 Wire	(Blank) 6 feet	(Blank) No Plug	<b>BK</b> - Black	(Blank) 120-277V	<b>15</b> - 15 Amps
<b>CS</b> - Cordset	<b>4</b> - 4 Wire	<b>8</b> - 8 feet	<b>P*</b> - Standard Plug	<b>WH</b> - White	<b>120</b> - 120V	<b>20</b> - 20 Amps
	<b>5</b> - 5 Wire	<b>10</b> - 10 feet	<b>TL*</b> - Twist Lock		<b>277</b> - 277V	
	<b>6</b> - 6 Wire	<b>12</b> - 12 feet			<b>347</b> - 347V	
		<b>15</b> - 15 feet			<b>480</b> - 480V	

Dimensions and specifications subject to change without notice.



### BALLAST OPTIONS

#### Brands

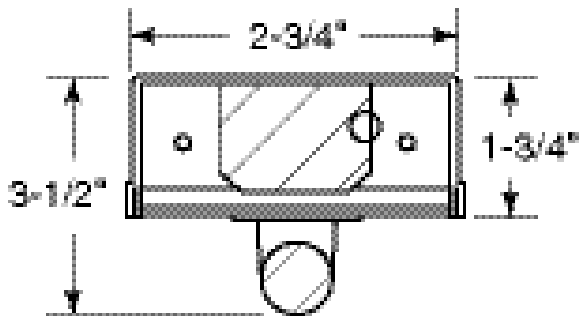
Code No.	Description
A	Advance
G	GE Ballast
L	Lutron
S	Sylvania Ballast
U	Universal

#### Performance Levels

Ballast			
Manufacturer	Standard	High Efficiency Instant Start	High Efficiency Program Start
Advance (A)	Centium ICN (A)	Optanium (AL, AN, AH)	Optanium PS (APL, APN)
GE (G)	Proline GE (G)	UltraMax (GL, GN, GH)	UltraStart (GPL, GPH, GPH)
Osram/Sylvania (S)	Quicktronic Pro (S)	Quicktronic QHE (SL, SN, SH)	ProStart (SPL, SPN, SPH)
Universal (U)	ULT STD Electronic (U)	HP Electronic (UL, UN, UH)	AccuStart (UPI, UPN, UPH)

### DIMENSIONS

#### END VIEW



1 and 2 Lamp

Dimensions and specifications subject to change without notice.

