

ECL Series

Eclipse Surface Mount



FEATURES & SPECIFICATIONS

INTENDED USE

Almost 30 years ago the Puff (Cloud) re-energized the surface fluorescent business. Today Eclipse LP will do the same utilizing new lamp, ballast and plastic technology developed since the Puff was introduced.

SIZE W x L x H in inches (mm)

- 2 Lamp: 9.5W x 25.75L x 4.5Dp (2ft.)
- 2 Lamp: 9.5W x 51.25L x 4.5Dp (4ft.)
- 4 Lamp: 16.5W x 25.75L x 5.0Dp (2ft.)
- 4 Lamp: 16.5W x 51.25L x 5.0Dp (4ft.)

LAMP

2 or 4 lamp positions

CONSTRUCTION

Designed especially for the T8 lamp, electronic ballast and today's interiors, this low profile softly rounded silhouette will eclipse the competition.

FEATURES

The Eclipse is 2" shallower than the Puff. All colors are available for immediate shipment. Packed in one carton.

TYPICAL OPTIONS & ACCESSORIES

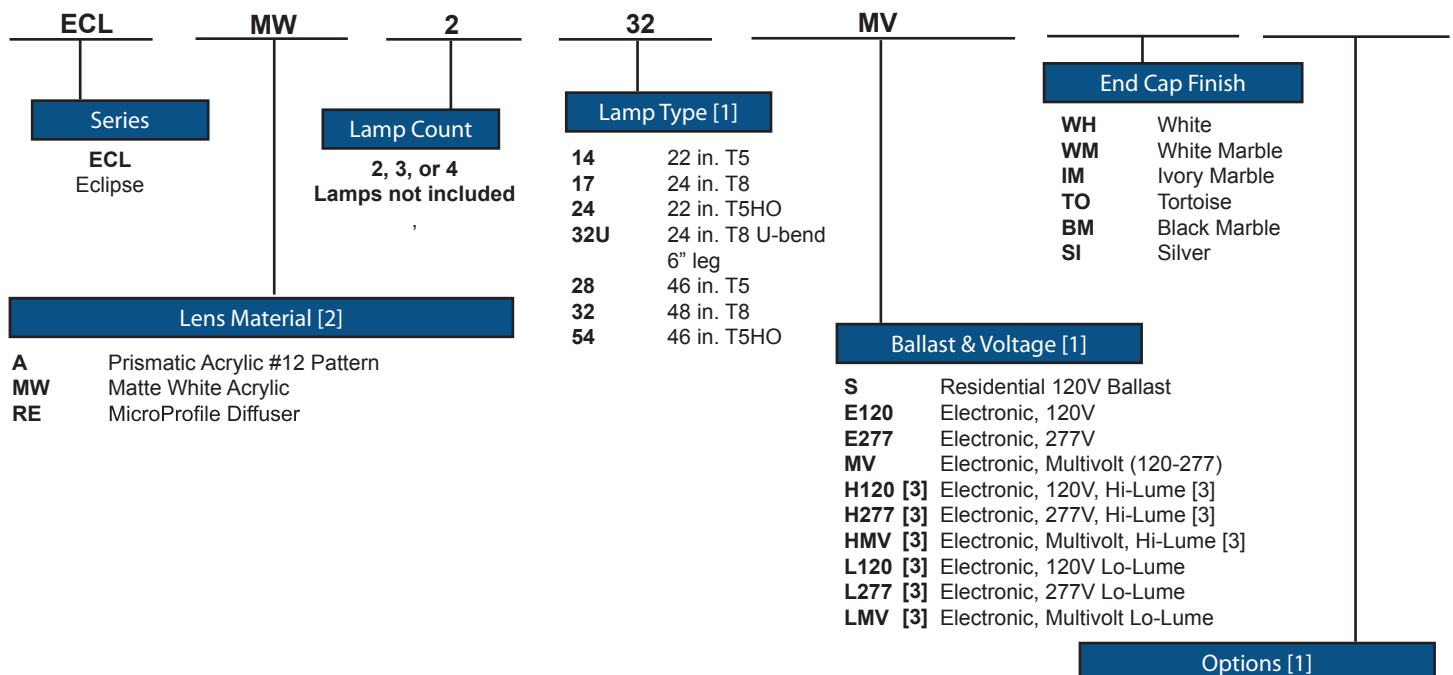
Featuring a choice of decorative end caps, both luminous and opaque, to coordinate to the most popular interior finishes and countertops.

LISTING

Fixture & Ballast: UL Listed Ballast: Thermally protected, class P, HPF, Non PCB

ORDERING INFORMATION

Example: ECLMW217SWH



Notes

- [1] See end of T02SURF for many additional lamps, ballasts, finishes, and options.
- [2] Custom louvers available in any cell configuration. Consult factory for additional information.
- [3] HiLume and LoLume ballasts available for T8 lamps only.
- [4] Consult factory for custom finishes.

Catalog Number:
Notes:



DIMENSIONS

All dimensions are inches. Specifications subject to change without notice.
END CAP FINISHES



BM - Black Marble



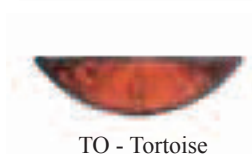
IM - Ivory Marble



SI - Silver



WM - White Marble



TO - Tortoise



WH - White