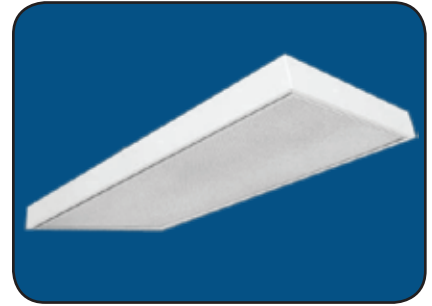


153 Series

Surface Mounted Troffer



FEATURES & SPECIFICATIONS

INTENDED USE

Specification grade, low profile surface mount provides for an almost limitless range of applications in areas where surface modulares (no grid) are required.

SIZE W x L x H in inches (mm)

1x4 - 11.75W x 48.0L x 3.75Dp
2x2 - 23.75W x 24.0L x 3.75Dp
2x4 - 23.75W x 48.0L x 3.75Dp

LAMP

2, 3, or 4 lamp positions

MATERIALS & FEATURES

Housing is die-formed and embossed code 22 gage steel. Finish is high reflectance baked white enamel. Wiring knockouts are provided on back of housing. Ballast cover or reflector snaps into place; no tools required for ballast access. Lens is held with a hinged steel door frame; frame hinges downward on either side and is held closed by two positive cam latches. Premium, full specular reflectors are available as an option to increase efficiency or modify lighting distribution.

- POST PAINTED POWDER COAT FINISH
- Shallow, low profile design. No external fasteners.
- Clear 0.10thk A12 acrylic lens is standard; many options available.

MOUNTING

Direct surface mount.

TYPICAL OPTIONS AND ACCESSORIES

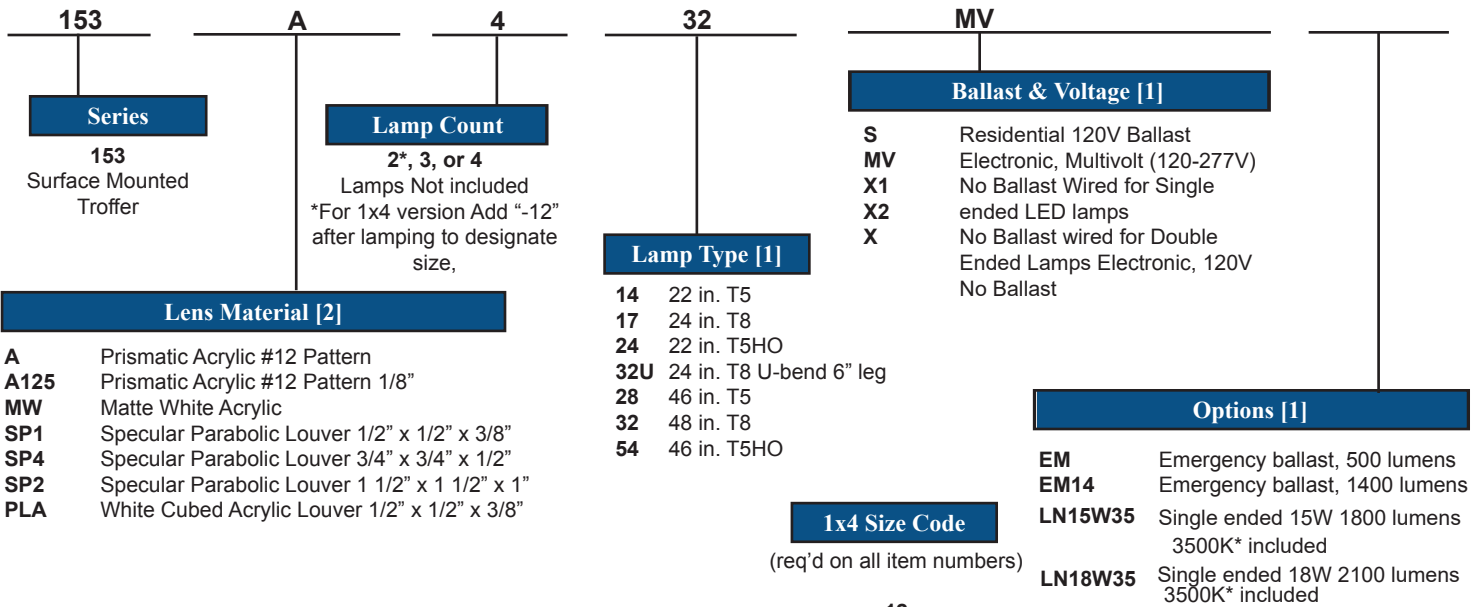
Emergency ballasts, Cord sets, whips, occupancy sensors Hanging kits, Wire guards. Contact factory for additional options.

LISTING

Fixture & Ballast: UL Listed Ballast: Thermally protected, class P, HPF, Non PCB

ORDERING INFORMATION

Example: 153A432MV



Notes

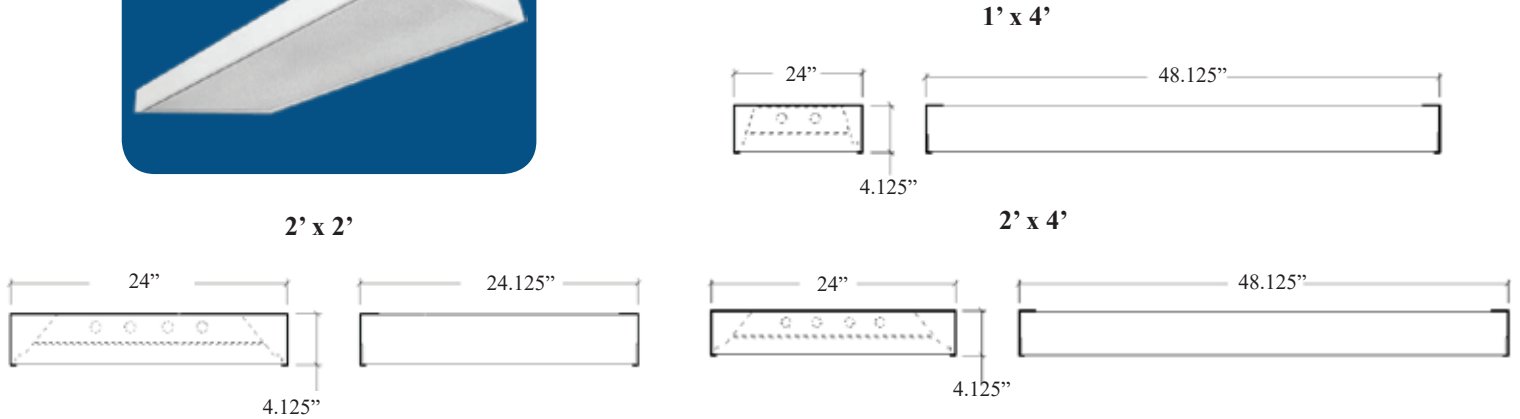
- [1] See end of T02SURF for many additional lamps, ballasts, finishes, and options.
[2] Custom louvers available in any cell configuration. Consult factory for additional information.
[3] HiLume and LoLume ballasts available for T8 lamps only.

Catalog Number:
Notes:



DIMENSIONS

All dimensions are inches. Specifications subject to change without notice.



PHOTOMETRICS

Calculated using the zonal cavity method in accordance with IESNA LM41 procedure. Lamp configurations shown are

Floor	20%	20%	20%	20%	20%	20%	20%	20%	20%
Ceiling	80%	80%	80%	70%	70%	70%	50%	50%	50%
Wall	70%	50%	30%	70%	50%	30%	50%	30%	10%
RCR	Zonal cavity coefficients			153A232			Spacing ratio. Along 1.2 Across 1.3		
0	1.00	1.00	1.00	0.98	0.97	0.97	0.92	0.93	0.92
1	0.92	0.88	0.84	0.90	0.86	0.83	0.88	0.80	0.78
2	0.85	0.78	0.72	0.83	0.76	0.71	0.73	0.69	0.65
3	0.78	0.69	0.62	0.76	0.68	0.61	0.65	0.60	0.56
4	0.72	0.62	0.54	0.70	0.61	0.54	0.59	0.53	0.48
5	0.66	0.55	0.48	0.64	0.54	0.47	0.53	0.47	0.42
6	0.61	0.50	0.42	0.60	0.49	0.42	0.48	0.41	0.37
7	0.57	0.45	0.38	0.56	0.45	0.38	0.44	0.37	0.33
8	0.53	0.42	0.35	0.52	0.41	0.34	0.40	0.34	0.30
9	0.50	0.38	0.31	0.49	0.38	0.31	0.37	0.31	0.27
10	0.47	0.35	0.29	0.45	0.35	0.29	0.34	0.28	0.24

Floor	20%	20%	20%	20%	20%	20%	20%	20%	20%
Ceiling	80%	80%	80%	70%	70%	70%	50%	50%	50%
Wall	70%	50%	30%	70%	50%	30%	50%	30%	10%
RCR	Zonal cavity coefficients			153A332			Spacing ratio. Along 1.2 Across 1.3		
0	0.94	0.94	0.93	0.92	0.91	0.91	0.87	0.87	0.87
1	0.87	0.83	0.79	0.84	0.81	0.78	0.78	0.75	0.73
2	0.8	0.73	0.68	0.78	0.72	0.67	0.69	0.65	0.61
3	0.73	0.65	0.58	0.71	0.64	0.58	0.61	0.56	0.52
4	0.68	0.58	0.51	0.66	0.57	0.51	0.55	0.5	0.45
5	0.62	0.52	0.45	0.61	0.51	0.45	0.5	0.44	0.4
6	0.58	0.47	0.4	0.56	0.46	0.4	0.45	0.39	0.35
7	0.54	0.43	0.36	0.52	0.42	0.36	0.41	0.35	0.31
8	0.5	0.39	0.33	0.49	0.39	0.32	0.38	0.32	0.28
9	0.47	0.36	0.3	0.46	0.36	0.3	0.35	0.29	0.25
10	0.44	0.33	0.27	0.43	0.33	0.27	0.32	0.27	0.23

Floor	20%	20%	20%	20%	20%	20%	20%	20%	20%
Ceiling	80%	80%	80%	70%	70%	70%	50%	50%	50%
Wall	70%	50%	30%	70%	50%	30%	50%	30%	10%
RCR	Zonal cavity coefficients			153A432			Spacing ratio. Along 1.2 Across 1.3		
0	0.95	0.94	0.94	0.93	0.92	0.92	0.88	0.88	0.87
1	0.87	0.83	0.8	0.85	0.82	0.78	0.78	0.76	0.73
2	0.8	0.74	0.68	0.78	0.72	0.67	0.69	0.65	0.62
3	0.74	0.65	0.59	0.72	0.64	0.58	0.62	0.57	0.53
4	0.68	0.59	0.52	0.66	0.57	0.51	0.56	0.5	0.46
5	0.63	0.52	0.45	0.61	0.52	0.45	0.5	0.44	0.4
6	0.58	0.47	0.4	0.56	0.47	0.4	0.45	0.39	0.35
7	0.54	0.43	0.36	0.53	0.42	0.36	0.41	0.35	0.31
8	0.51	0.4	0.33	0.49	0.39	0.33	0.38	0.32	0.28
9	0.47	0.36	0.3	0.46	0.36	0.3	0.35	0.29	0.25
10	0.44	0.33	0.27	0.43	0.33	0.27	0.32	0.27	0.23

Floor	20%	20%	20%	20%	20%	20%	20%	20%	20%
Ceiling	80%	80%	80%	70%	70%	70%	50%	50%	50%
Wall	70%	50%	30%	70%	50%	30%	50%	30%	10%
RCR	Zonal cavity coefficients			153A232M20			Spacing ratio. Along 1.2 Across 1.2		
0	1.04	1.03	1.02	1.01	1.01	1.00	0.96	0.96	0.95
1	0.96	0.92	0.88	0.93	0.90	0.86	0.86	0.83	0.81
2	0.88	0.81	0.76	0.86	0.80	0.74	0.77	0.72	0.69
3	0.81	0.72	0.66	0.79	0.71	0.65	0.69	0.63	0.59
4	0.75	0.65	0.58	0.73	0.64	0.57	0.62	0.56	0.52
5	0.70	0.59	0.51	0.68	0.58	0.51	0.56	0.50	0.45
6	0.65	0.53	0.46	0.63	0.52	0.45	0.51	0.45	0.40
7	0.60	0.49	0.41	0.59	0.48	0.41	0.47	0.40	0.36
8	0.56	0.45	0.38	0.55	0.44	0.37	0.43	0.37	0.33
9	0.53	0.41	0.34	0.52	0.41	0.34	0.40	0.34	0.29
10	0.49	0.38	0.31	0.48	0.38	0.31	0.37	0.31	0.27