

# Troffer Retrofit Kit

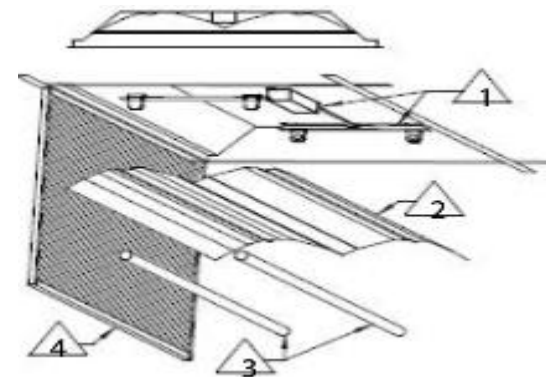
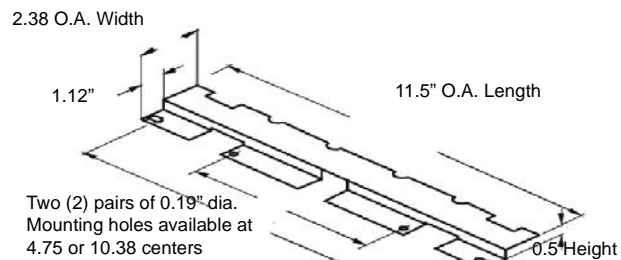
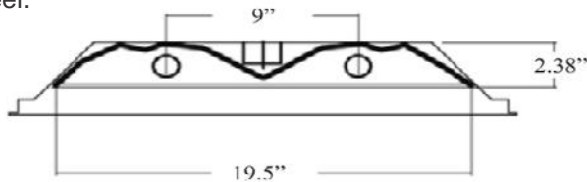
Reflector Kit - Retrofit 2 or 3 Lamp  
for Troffer Body

## FEATURES & SPECIFICATIONS

These kits provide everything required to enhance the performance and energy savings of your recessed fixture while minimizing labor, clean up and expense. Choice of highly polished mirrored reflector or enhanced white reflector, both designed to maximize output and efficiency.

## MATERIALS

Reflectors are a premium and standard full specular mirrored aluminum, and enhanced white. Socket Bars are white. Code guage steel.



## Popular Kits

Item Number	Dimensions (L x W x H)	Lamping
22CM20BL10	2 X 2 Troffer Retrofit Kit	2-F17T8
22CW10BL10	2 X 2 Troffer Retrofit Kit	2-F17T8
24CM20BL10	2 X 4 Troffer Retrofit Kit	2-F32T8
22C2W10BL10	2 X 4 Troffer Retrofit Kit	2-F32T8

L10 is for Short, shunted, snap fit lamp holders (For IS ballasts). Change to L11 for short, unshunted, snap fit (for RS and ProStart ballasts). M20 is mirrored reflector and W10 is enhanced white aluminum reflector.

## ORDERING INFORMATION

Example: 22C2M20BL10

Series	Reflector	Ballast Manufacturer	Ballast Factor	Voltage
14C 1 x 4 22C 2 x 2 24C 2 x 4	M20 Mirrored Reflector W10 Enhanced White Reflector	Blank No Preference F Universal V Advance Y Sylvania Z GE	Blank Normal .88 H High 1.18 L Low .77 NN 1.00 LL Ultra Low .66	Blank Less Ballast MV 120v-277v E480 480v
Number of Lamps*	Socket Bar - Socket Type	Ballast Model	Configuration	
1 1 Lamp 2 2 Lamps 3 3 Lamps 4 4 Lamps	BL10 Socket Bar & Instant Start (Standard for T8) BL11 Socket Bar & Program Start (Standard for T5)	Blank Standard Version W Premium Version P Program Start	Blank Components Bulk Packed & Unassembled WR Wire Ballasts and Sockets Together	

\* Add T5 if using T5 Lamps.  
(Up to two lamps only in 14C kit.)

Catalog Number:
Notes: