



Texas Fluorescents
Reinvented

CATALOG# : _____
PROJECT : _____
TYPE : _____

Series SS213

Stairwell 4ft. with Ultrasonic Sensor

This versatile Series SS213 linear LED fixture is available with integral ultrasonic occupancy sensor to sense motion within a space and automatically turn lights ON even when the sensor has no direct line of sight to occupants. When the area is vacated and the time delay has elapsed, the sensors automatically dim the lights. Ultrasonic detection operates by transmitting sound waves throughout an area and measuring the speed at which they return. Movement increases the return frequency, which triggers occupancy. Ultrasonic Smart Sensors provide functions for testing, time delay overriding the fixture ON.

Typical applications for this SmartSense Series include open office cubicles, offices, conference rooms, restrooms and hallways. This technology also provides superior detection in hard surfaced areas, such as stairwells and hallways. Bi-level lighting control is available (consult factory for options) resulting in up to 50% energy savings for fixtures that are on 24/7, while still providing enough light for safety and egress.

CONSTRUCTION

Housing is die-formed and embossed code 22 gauge steel. Standard finish is high reflectance baked white enamel; custom finishes are available as an option. Wiring knockouts are provided on back of housing. Clear acrylic prismatic lens with linear ribbed sides is fully captured by the end plate.

MOUNTING

Direct wall mount.

TYPICAL OPTIONS & ACCESSORIES

Custom finishes, internal divider, front baffle, pull chains, convenience outlets and emergency battery. Contact factory for more details.

2055 Luna Road Suite 142 | Carrollton, TX 75006
T 214.884.1150 | F 972.247.0200 | sales@saylite.com



DIMENSIONS

24L: 24 1/4" L x 4.4" W x 4.5" H
48L: 48 1/4" L x 4.4" W x 4.5" H

FEATURES & BENEFITS

- Optional front baffle restricts light to up and down only (no front light)
- Add dual dividers for separate control of up and down light
- Contact factory for custom night light options
- Suitable for dry or damp locations
- Multiple lumen packages/ wattages available through use of programmable drivers
- Multiple Kelvin temperatures available (3000K, 3500K, 4000K and 5000K)
- CRI >80 standard, 90 optional
- L70: >50,000 Hours
- Dimming: 0-10V 120-277V
- Emergency battery backup available
- Power factor >0.90
- 5 year warranty



ORDER INFORMATION

Factory at your fingertips. Fill in the blanks to create your part number or create a custom configuration.

SERIES	LENS MATERIAL	SIZE	WATTAGE* & LUMENS*	BAFFLE	DRIVER	COLOR/CRI**	
SS213	A Acrylic	24L 24"	E15W2050L	15 Watts 2050 Lumens	Blank No Baffle	DMV 0-10V Dimming	30K 3000K 80 CRI
			E24W3000L	24 Watts 3000 Lumens	DF Front Baffle	D1MV 0-10V Dimming (dim to 1%)	35K 3500K 80 CRI
			E28W3450L	28 Watts 3450 Lumens			40K 4000K 80 CRI
		48L 48"	E30W4100L	30 Watts 4100 Lumens			50K 5000K 80 CRI
			Y40W4000L	40 Watts 4000 Lumens			930K 3000K 90 CRI
			E48W6000L	48 Watts 6000 Lumens			935K 3500K 90 CRI
			E57W6900L	57 Watts 6900 Lumens			940K 4000K 90 CRI
							950K 5000K 90 CRI

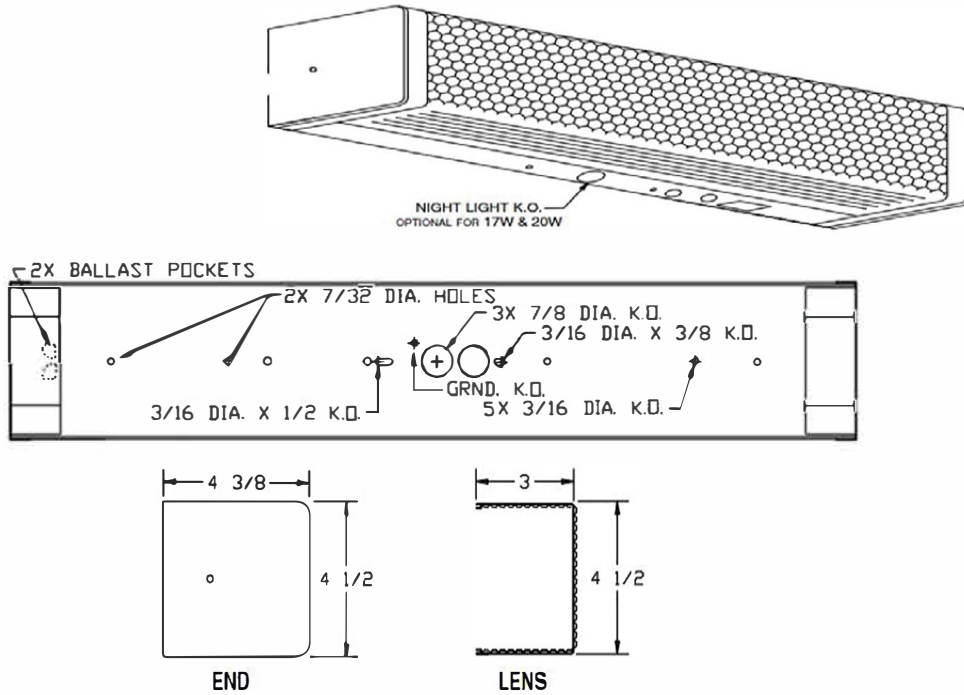
OPTIONS

- SW2 Pull chain, 2 way switching (use with single ballasts)
- GCO Grounded convenience outlet (North American 3 prong)
- EM 10W Emergency battery backup (internal, excludes less than 4ft)
- EM12 12W Emergency battery backup (remote only)
- EM20 20W Emergency battery backup (remote only)

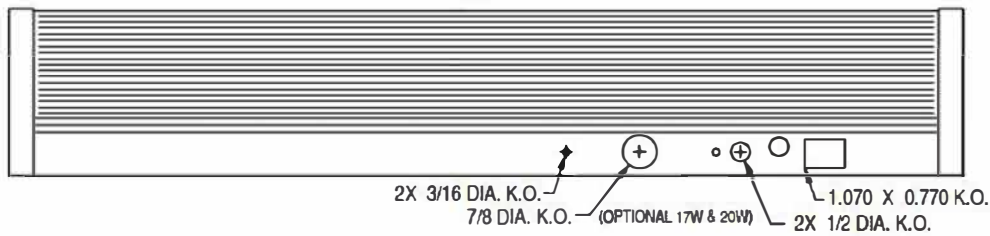
Note:
*Programmable LED drivers allow custom configured wattages and corresponding lumens.
** Consult factory for 90 CRI 5000K availability.
We reserve the right to change design, materials, LEDs and finish in any way that will not alter installed appearance or reduce function and performance.

DRAWINGS & IMAGES

Side

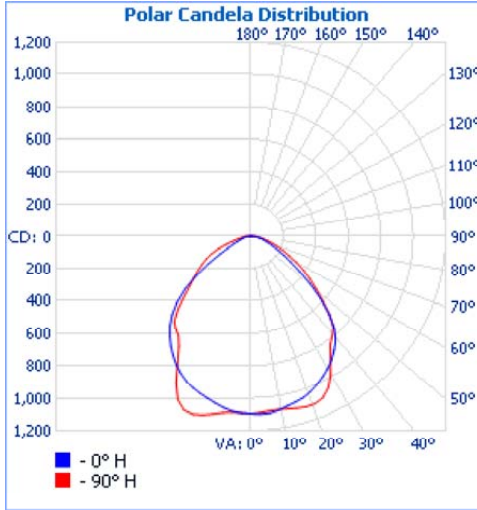
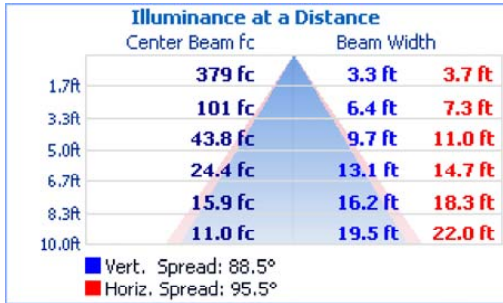


Top



PHOTOMETRICS

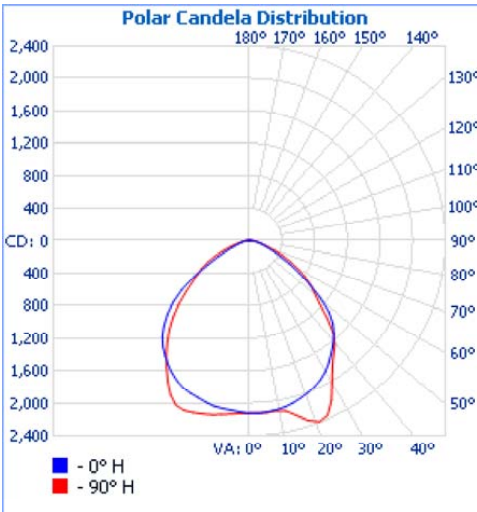
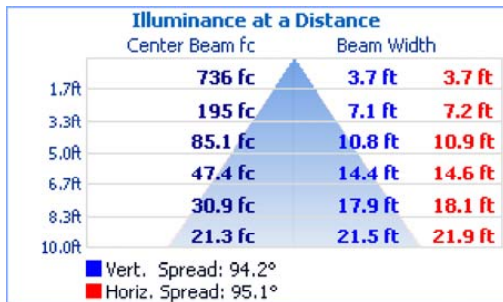
24L - SS213A24LE24W2700LSTMV(XX)40K



Zonal Lumen Summary

Zone	Lumens	% Luminaire
0-30	888.3	32.9%
0-40	1,424.3	52.7%
0-60	2,302.7	85.3%
60-90	387.3	14.3%
70-100	166.1	6.2%
90-120	10.1	0.4%
0-90	2,690.1	99.6%
90-180	10.1	0.4%
0-180	2,700.2	100%

48L - SS213A48LE57W5700LDMV(XX)40K



Zonal Lumen Summary

Zone	Lumens	% Luminaire
0-30	1,791.8	31.8%
0-40	2,945.8	52.3%
0-60	4,846.9	86.1%
60-90	769.0	13.7%
70-100	301.2	5.3%
90-120	14.7	0.3%
0-90	5,615.9	99.7%
90-180	14.7	0.3%
0-180	5,630.6	100%



Texas Fluorescents
Reinvented

CATALOG#: _____

PROJECT: _____

TYPE: _____

Series SS213

Stairwell 4ft. with Ultrasonic
Sensor

DLC Listed Items

ITEM NUMBER

- SS213A48LE30W4100LDMV30K-xx
- SS213A48LE30W4100LDMV35K-xx
- SS213A48LE30W4100LDMV40K-xx
- SS213A48LE30W4100LDMV50K-xx
- SS213A48LE48W6000LDMV30K-xx
- SS213A48LE48W6000LDMV35K-xx
- SS213A48LE48W6000LDMV40K-xx
- SS213A48LE48W6000LDMV50K-xx
- SS213A48LE57W6900LDMV30K-xx
- SS213A48LE57W6900LDMV35K-xx
- SS213A48LE57W6900LDMV40K-xx
- SS213A48LE57W6900LDMV50K-xx

