



Texas Fluorescents
Reinvented

CATALOG#: _____
PROJECT: _____
TYPE: _____

Series SLP

LED Low Profile Pendant

Saylite introduces LED low profile Direct/Indirect rectilinear Lighting that can be pendant, surface and wall mounted individually. Ideal for general lighting applications in both commercial and residential applications for circulation spaces, high impact areas and kitchen islands and home offices. The versatility and clean styling makes this an ideal choice in many applications.

CONSTRUCTION

Powder coated white aluminum extrusion with white interior and cast aluminum end plates. The diffuser / lens is a smooth frosted acrylic. Available in 4 and 8 foot nominal lengths.

MOUNTING

Pendant mount, surface mount or wall



DIMENSIONS

48L - 48" L x 7.60" W x 1.90" H
96L - 96" L x 7.60" W x 1.90" H

FEATURES & BENEFITS

- Available in pendant, surface and wall mount
- Low profile 1.90" H
- Exceptionally well into low ceiling environments
- CRI >80 standard, 90 optional
- L70: >50,000 Hours
- Dimming: 0-10V 120-277V standard, 120V ELV/TRIAC optional
- Power factor >0.99
- 5 year warranty



ORDER INFORMATION

Factory at your fingertips. Fill in the blanks to create your part number or create a custom configuration.

SERIES	LENS	LENGTH	WATTAGE* & LUMENS*		DRIVER	COLOR/CRI**			
SLP Pendant/surface mount	FR Frosted Lens	48L 48"	Down Light Only	S24W2700L	24 Watts 2700 Lumens	DMV	0-10V Dimming	30K	3000K 80 CRI
				S48W5400L	48 Watts 54 Lumens			D1MV	0-10V Dimming (dim to 1%)
SLW Wall Mount	MW Matte White	48L 48"	Down Light Only	US12WD24W	Uplight 12 Watts Downlight 24 Watts 3600 Lumens	D1MV	0-10V Dimming (dim to 1%)	40K	4000K 80 CRI
				US18WD36W	Uplight 18 Watts Downlight 36 Watts 5400 Lumens			50K	5000K 80 CRI
SLF Surface mount (requires surface mount bracket) See installation instructions for details	MW Matte White	96L 96"	Down Light Only	S48W5400L	48 Watts 5400 Lumens	D1MV	0-10V Dimming (dim to 1%)	930K	3000K 90 CRI
				S96W10800L	96 Watts 10800 Lumens			935K	3500K 90 CRI
			Up and Down	US24WD48W	Uplight 24 Watts Downlight 48 Watts 7200 Lumens			940K	4000K 90 CRI
				US36WD72W	Uplight 36 Watts Downlight 72 Watts 10800 Lumens			950K	5000K 90 CRI

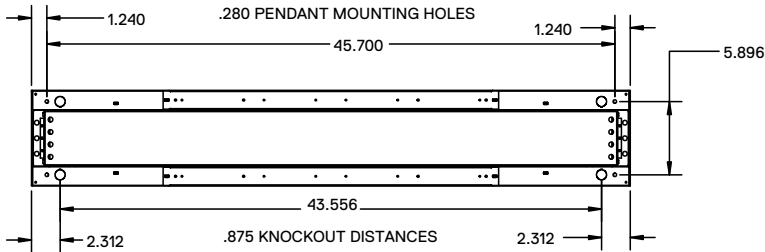
FINISH		OPTIONS	
WH	White	HC4015WWH	Cable kit with 4' cable & 5 wires power feed/cable incl., white cord and white canopy (included power feed and non-power feed)
SL	Silver	HC401WHNPF	Cable kit with 4' cable & white canopy, non-power feed (non-power feed only)
RD	Red	HC4025WWH	Cable kit with 12' cable & 5 wires power feed/cable incl., white cord and white canopy (included power feed and non-power feed)
IN	Iron	HC402WHNPF	Cable kit with 12' cable & white canopy, non-power feed (non-power feed only)
BK	Black		

Note:
 *Programmable LED drivers allow custom configured wattages and corresponding lumens.
 ** Consult factory for 90 CRI 5000K availability.
 We reserve the right to change design, materials, LEDs and finish in any way that will not alter installed appearance or reduce function and performance.

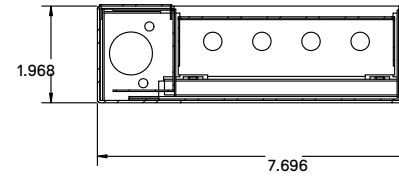
DRAWINGS & IMAGES

4 ft. - Pendant Mount

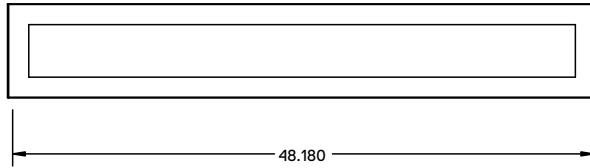
Back



End

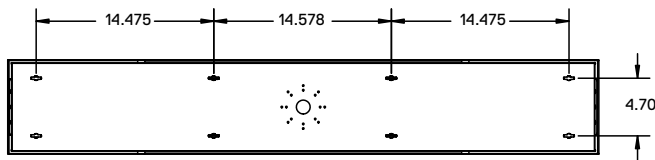


Top

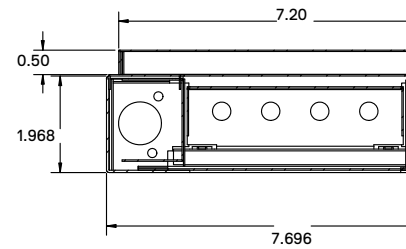


4 ft. - Surface Mount

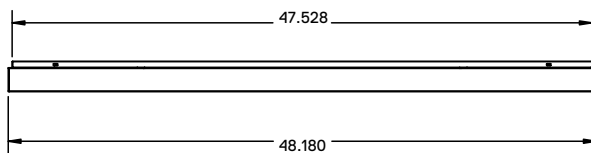
Back



End



Side





Texas Fluorescents
Reinvented

CATALOG# : _____

PROJECT : _____

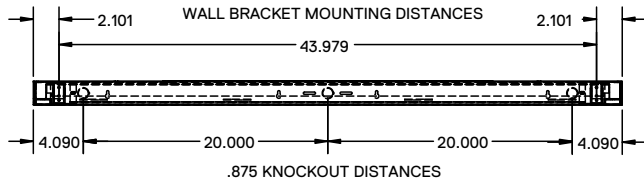
TYPE : _____

Series SLP

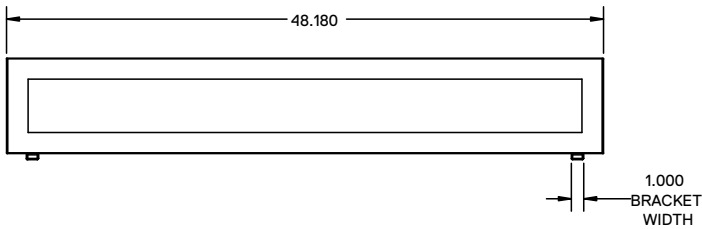
LED Low Profile Pendant

Wall Mount

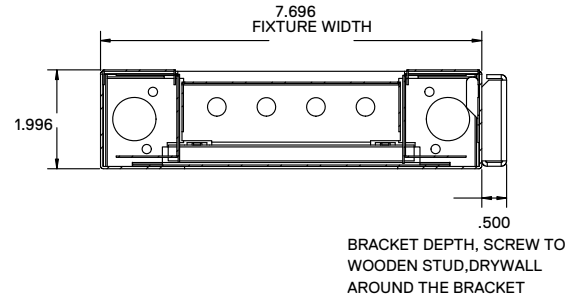
Side



Top



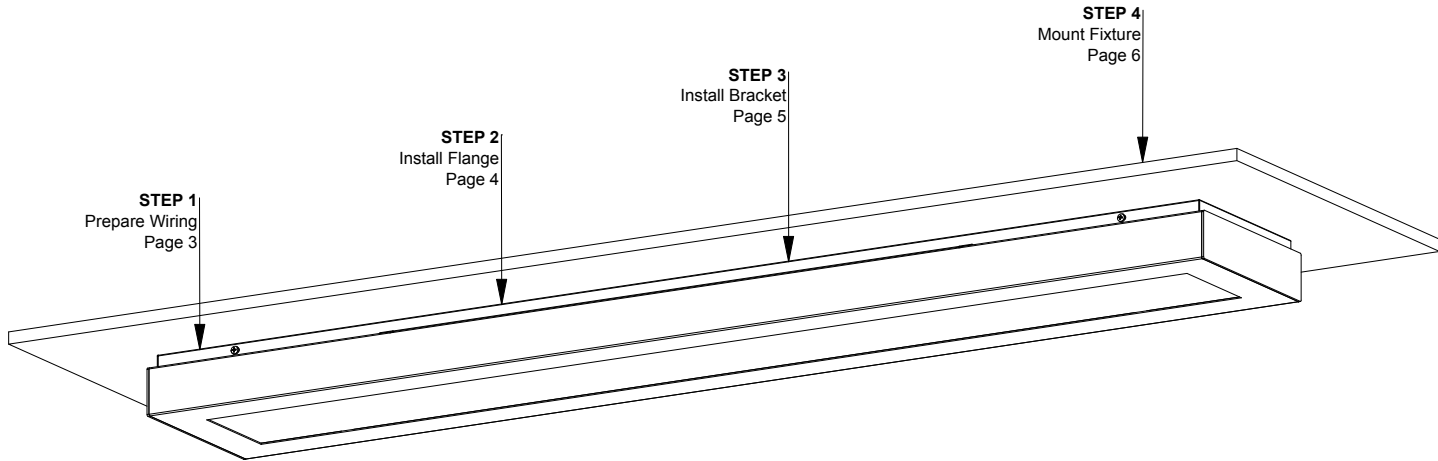
End



SLP-Surface Installation Instructions

Overview

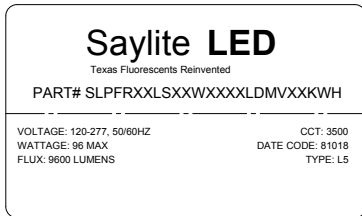
- WARNINGS**
- This product must be installed in accordance with all applicable codes by a person familiar with the product.
 - Each fixture must be **properly supported** during install.
 - **DO NOT** join fixtures on the floor prior to lifting, or damage will occur.
 - **Before beginning installation**, review our complete list of warnings by visiting www.saylite.com/warnings.



SLP-Surface Installation Instructions

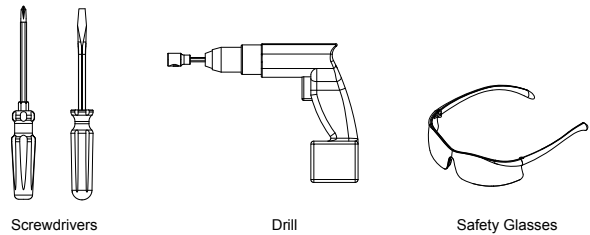
Preparation - Tools/Parts Identification

A. Identify Fixtures



- Use labels found on the box and inside fixture bodies to identify bodies.
- **NOTE:** Locations of labels can vary.
- Remove all fixtures from their boxes.
- Organize fixtures based on their labels at the install location.

B. Tools Needed



- Always use proper safety equipment when installing fixtures.
- Tools shown are recommended for standard install. Tools needed may vary based on actual install location conditions.

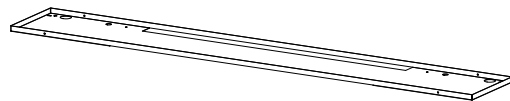
C. Identify Parts



Machine Screw
(By Others)



TEK Screw
(By Others)



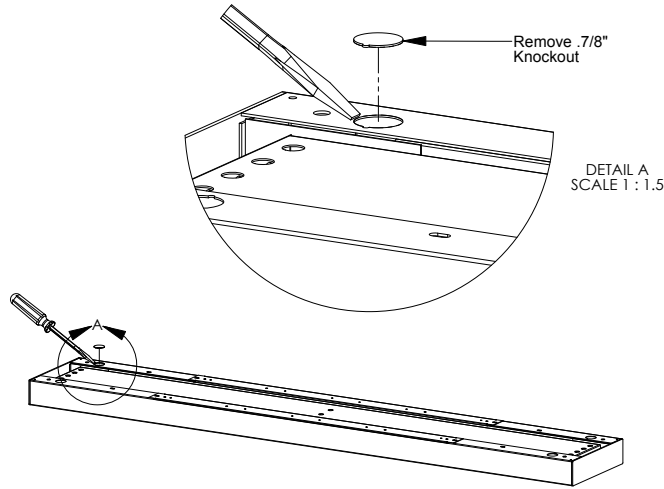
SLP Surface Mount Bracket
PN: SLPSMBRKT48IN
SLPSMBRKT96IN

- Read entire install instructions before beginning installation.
- Unpack all components and arrange in order of install steps.
- For help with installation, please contact us at www.saylite.com or call us at (972) 247-3171.

SLP-Surface Installation Instructions

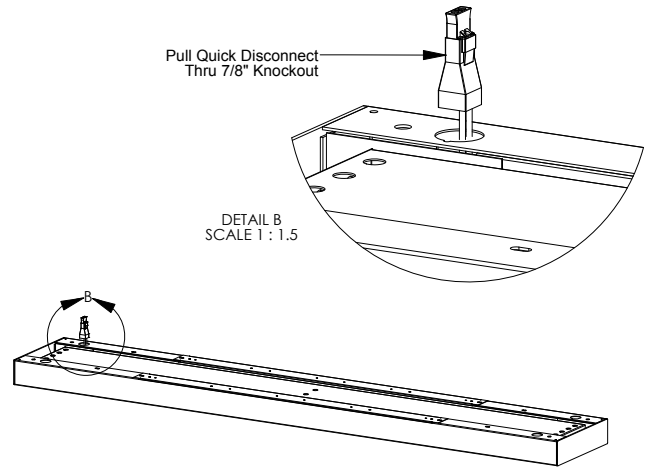
Step 1 - Prepare Wiring

A. Remove Knockout



- Using a flat tip screwdriver, pry the knockout from the fixture.

B. Pull Wiring

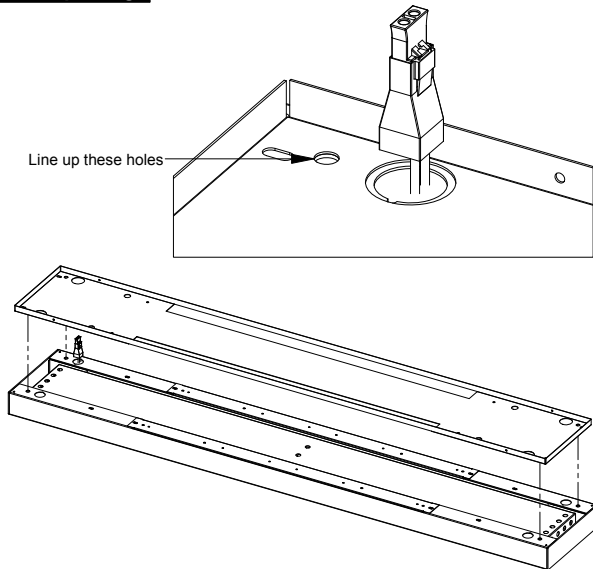


- Locate the wiring quick disconnect inside the wiring channel.
- Pull the wiring thru the knockout, and leave exposed.

SLP-Surface Installation Instructions

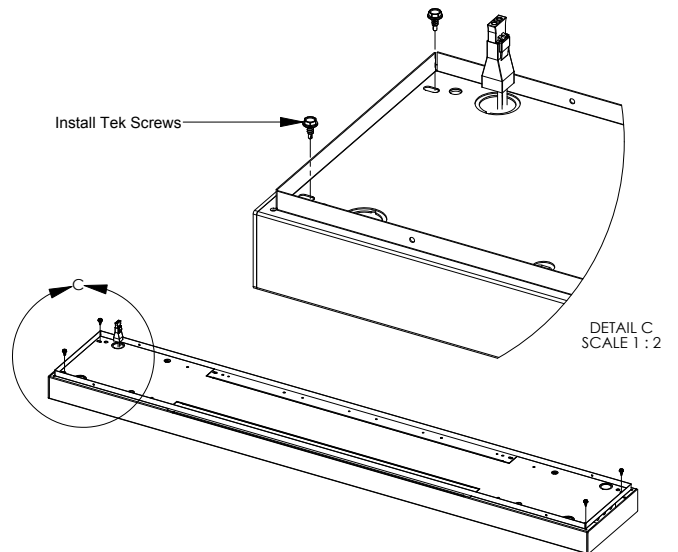
Step 2 - Install Flange

A. Line Up Flange



- Line up the mounting flange to the back of the fixture.
- Pull the wiring thru the hole in the mounting flange as shown.
- Use the guide holes shown to ensure proper alignment of the flange. The holes should match up.

B. Secure Flange

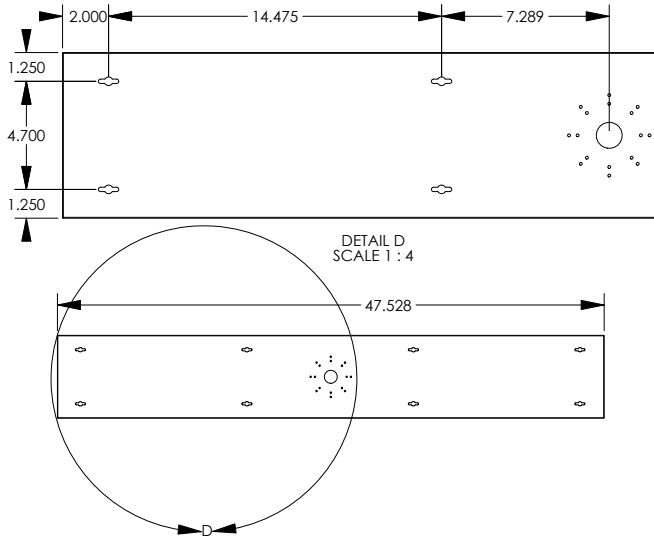


- Secure the mounting flange to the fixture by installing (4) TEK screws to the oblongs shown above.

SLP-Surface Installation Instructions

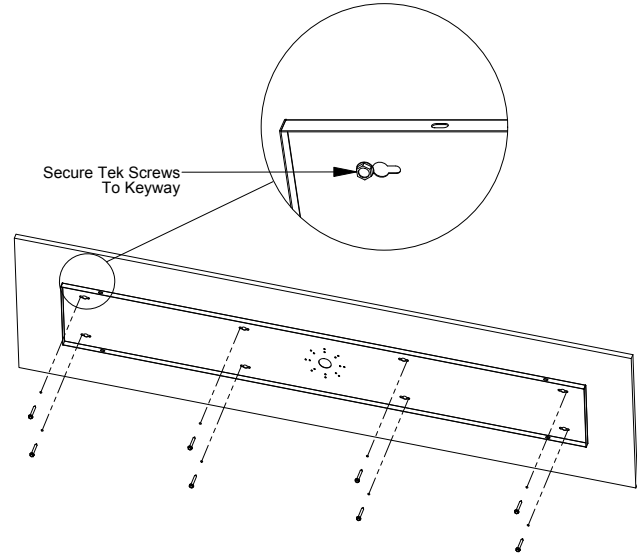
Step 3 - Install Bracket

A. Transfer Dimensions



- Transfer the dimensions of the mounting keyways above to the mounting surface.
- **Note:** The dimensions are mirrored on both sides of the mounting bracket.

B. Secure Bracket

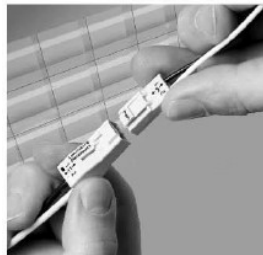


- **Note:** The mounting bracket must be installed to a structurally secure surface.
- **Note:** Additional bracing may be needed before mounting bracket.
- Secure the mounting bracket to the mounting surface as shown.

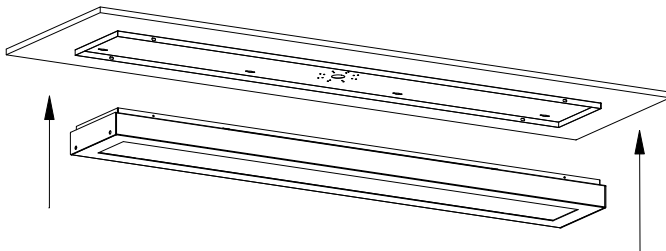
SLP-Surface Installation Instructions

Step 4 - Mount Fixture

A. Line Up With Bracket

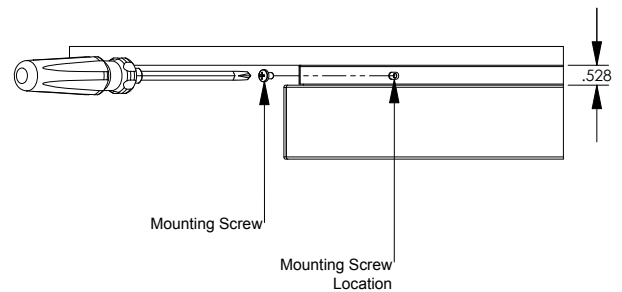


Make Secure Connection



- Using the quick clip, wire the fixture to the incoming following all local, state and national codes.
- Line the fixture up with the installed mounting bracket as shown.

B. Secure Fixture



- Using a long screwdriver, install (4) mounting screws around the perimeter of the fixture.
- Test that the fixture is mounted securely.
- Install is now complete.