

Series SER

LED Linear Contoured Strip



SD Daylight Sensor

The Series SER LED Contoured Strip is a full-body micro silhouette fixture that makes a bold statement with minimal design. The frosted diffuser is scaled to and surrounds the LEDs for soft lighting. SER fixtures can be surface mounted on the wall or ceiling or pendant mounted with a specially-engineered cable mounting kit. Available in post-painted, matte white finish (consult factory for other finishes).

CONSTRUCTION

Fully-assembled housing is formed and welded, 22 gauge steel that is chemically treated to resist corrosion and enhance paint adhesion. Series SER fixtures can be mounted individually or in continuous rows. Available with a smooth frosted lens. Knock-outs on back accept standard electrical fittings (by others); consult factory for other locations.

MOUNTING

Surface mountable horizontally or vertically to walls or ceilings. Pendant or cable mountable with hardware.

TYPICAL OPTIONS & ACCESSORIES

Accessories include cord sets, whips and fuses. Multiple finish options available. Emergency battery backup optional. Optional sensors also available to increase efficiency (via daylight harvesting, etc.). Contact factory for more details.

DIMENSIONS

24L - 24" L x 3.79" W x 3.93" H

48L - 48" L x 3.79" W x 3.93" H


96L - 96" L x 3.79" W x 3.93" H

FEATURES & BENEFITS

- Surface or pendant mounted
- Attractive source of direct lighting for any indoor applications
- Individual use, continuous fixture runs or configurable in custom shapes with joiners and end caps
- Integral driver, snap-fit lens
- Easy installation
- Multiple lumen packages (3000K, 3500K, 4000K, 5000K); consult factory for RGBW option
- Variety of lumen packages and wattages through use of programmable drivers
- Standard white, silver or black finishes; contact factory for custom finishes
- CRI: >80 standard, 90 optional
- L70: >50,000 Hours
- Dimming: 0-10V 120-277V standard, 120 ELV/TRIAC optional
- Emergency backup options available
- Power Factor: >0.90
- IC rated for damp and dry locations
- 5-Year Warranty

ORDER INFORMATION

Factory at your fingertips. Fill in the blanks to create your part number or create a custom configuration.

SENSOR	SERIES	LENS MATERIAL	LENGTH	WATTAGE* & LUMENS*	DRIVER
SS Sensor - On/Off SV Bi-level (xx) SD Daylight Harvesting 	SER Linear contoured strip	FR Frosted	24L 24"	T14W1400L 14 Watts 1400 Lumens T20W2000L 20 Watts 2000 Lumens	DMV 0-10V Dimming G120 ELV/TRIAC Dimming at 120V only (only available with SS sensor) D1MV 0-10V Dimming (dim to 1%)
			48L 48"	T28W2800L 28 Watts 2800 Lumens T40W4000L 40 Watts 4000 Lumens	DMV(xx) 0-10V Dimming (xx) for percentage of light output when not occupied. (required for SV sensor)
			96L 96"	T56W5600L 56 Watts 5600 Lumens T80W8000L 80 Watts 8000 Lumens	

COLOR/CRI**	FINISH	CONFIGURATION	OPTIONS
30K 3000K 80 CRI	WH White	Blank Individual	HC301WH Cable kit with 4' cable & 3 wires power feed/cable inc. and white canopy
35K 3500K 80 CRI	BK Black	-B Beginner Run	HC302WH Cable kit with 12' cable & 3 wires power feed/cable inc. and white canopy
40K 4000K 80 CRI	SI Silver	-E Ender Run	HC3015WWH Cable kit with 4' cable & 5 wires power feed/cable inc. and white canopy
50K 5000K 80 CRI		-J Joiner	HC3025WWH Cable kit with 12' cable & 5 wires power feed/cable inc. and white canopy
930K 3000K 90 CRI			2SCS24WH Two stem kits with 24" stem, canopy and mounting hardware for 4' fixture
935K 3500K 90 CRI			EM12 12W Emergency battery backup (internal, excludes less than 4ft.)
940K 4000K 90 CRI			EM14 14W Emergency battery backup (internal, excludes less than 4ft.)
950K 5000K 90 CRI			EM20 20W Emergency battery backup (remote only)

Note:

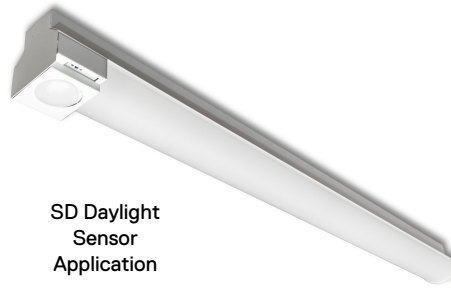
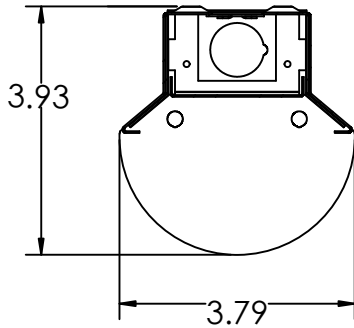
*Programmable LED drivers allow custom configured wattages and corresponding lumens.

**90 CRI is not available in 5000K.

We reserve the right to change design, materials, LEDs and finish in any way that will not alter installed appearance or reduce function and performance.

DRAWINGS & IMAGES

End View



OCCUPANCY SENSOR

- Self-Contained Relay
- No Power Pack Needed
- No Minimum Load
- Requirements Interchangeable
- Hot & Load Wires, Impossible to Wire Backwards
- Push-Button Programmable
- Adjustable Time Delays
- No Field Calibration or Sensitivity Adjustments Required
- Convenient Test Mode
- 100 hr Lamp Burn-in Timer
- Green LED Indicator

PHYSICAL SPECS

- SIZE: 2.25" H x 1.38" W x 0.82" D
(5.715 cm x 3.51 cm x 2.08 cm)
- WEIGHT: 4 oz
- MOUNTING: Snaps into 2 3/16" H x 1 5/16" W x 1" D cavity in fixture
- COLOR: White