

CATALOG# : _____

PROJECT : _____

TYPE : _____

SAP Series

Spoke Acoustic Pendant

The SAP Series fixtures utilize modern designs and simplistic LED luminaires to produce decadent beauty and efficient illumination. There are three design styles for the acoustic material available: triangular, circular, and rectangular. The acoustic materials used have a Class A or B flammability rating. The central luminaire is pendant mounted with aircraft cables and provides a soft, even glow. The SAP Series provides an excellent opportunity to elevate the lighting and style of your space. Spoke Acoustic Pendant fixtures are great for conference rooms, lobbies, and other high traffic areas.

CONSTRUCTION

Acoustic material is 100% PET containing at least 55% recycled content. Class B fire rating and moisture resistant.



FIXTURE DIMENSIONS

Circular: 34" Dia. x 26"H

Triangular: 43"Dia. x 25"H

Rectangular: 34"Dia. x 26"H

SPECIFICATIONS

- Pendant mount accommodates most ceiling types
- 10' max length hanging kit included
- CRI >90
- >50,000 hrs of L70 LED life
- Rated for dry and damp locations
- 0-10 Volt dimmable 120-277V
- Power factor >0.90
- 5 year warranty



CATALOG# : _____
 PROJECT : _____
 TYPE : _____

SAP Series

Architectural LED Spoked
Acoustic Pendant

ORDERING GUIDE

Factory at your fingertips. Fill in the blanks to create your part number or create a custom configuration.
 Sample Part Number: SAP-25-D27-DMV-BN-930K-A03-T

SERIES	DIAMETER		WATTAGE		DRIVER		FINISH		CCT		FLAIR ¹					
SAP	34 (-C)	34" Dia.	D27	27 Watts 2,400 Lumens	DMV	0-10V Dimming	BN	Brushed Nickel	30K	3000K 90 CRI	A03	Light Gray				
	34 (-R)	34" Dia.									G120	Triac/ELV Dimming at 120V only	BK	Black	A17	Dark Gray
	44 (-T)	44" Dia.													A06	City Brown
											A02	Taupe				
												A34	Pure Gray			

CONFIGURATION		MATERIAL CLASS	
-T	Triangular	Blank	Class B
-R	Rectangular	A	Class A
-C	Circular		

Note:

1. Consult factory for more acoustic material color options.

We reserve the right to change design, materials, LED's and finish in any way that will not alter installed appearance or reduce function and performance.

CATALOG#: _____
PROJECT: _____
TYPE: _____

ACOUSTIC MATERIAL COLOR OPTIONS



03-12-Light
Gray



17-12-Dark
Gray



06-12-City
Brown

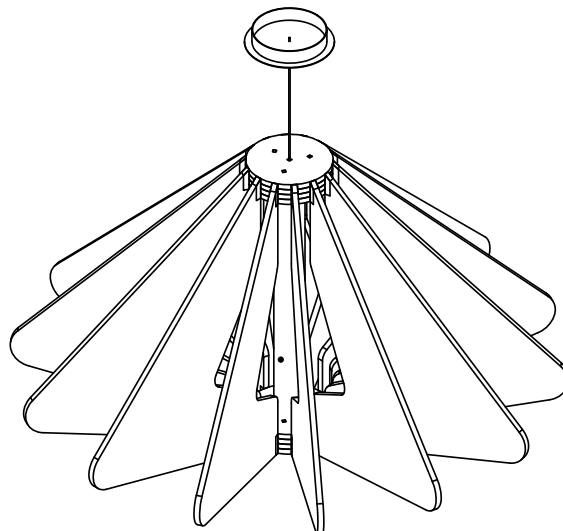
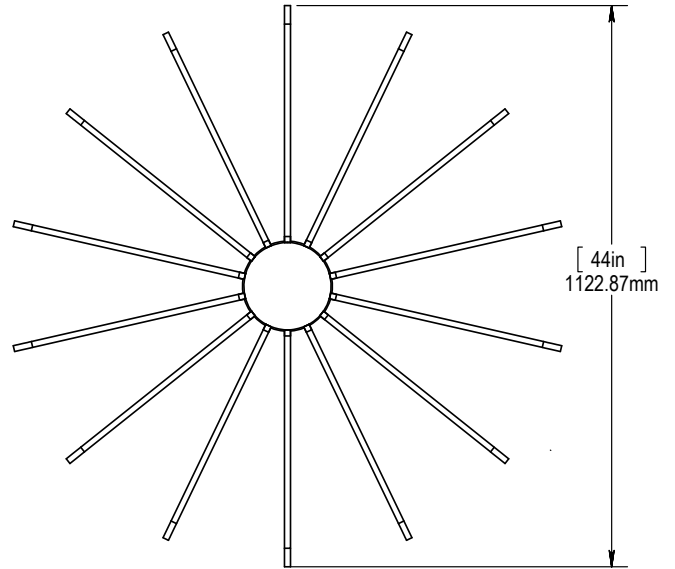
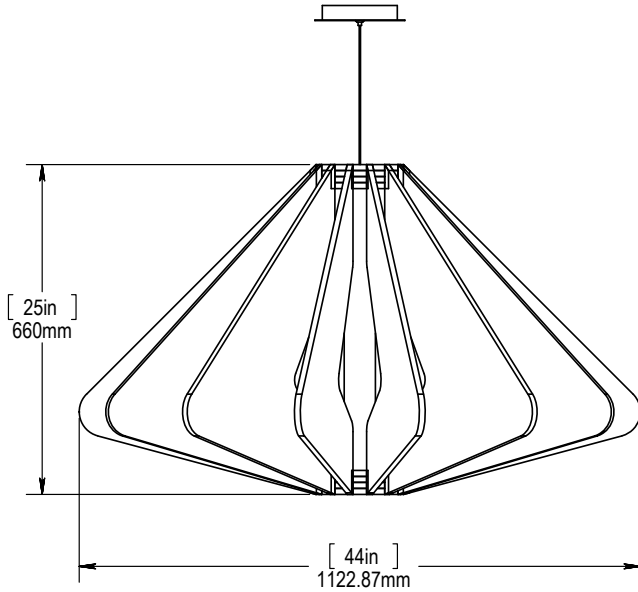


02-12-Taupe

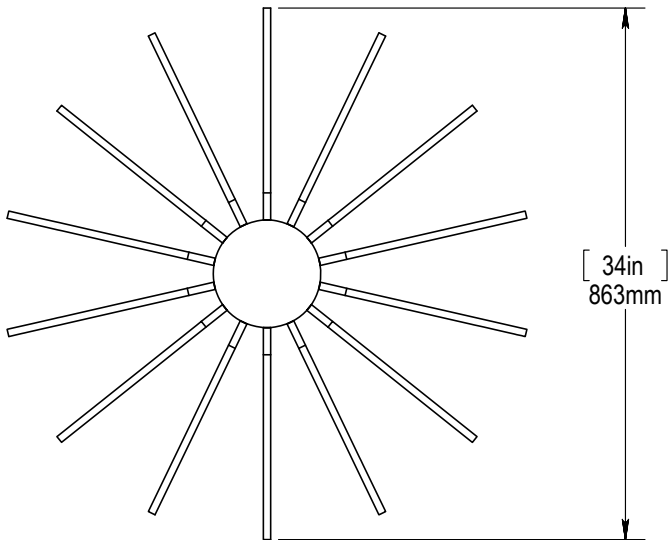
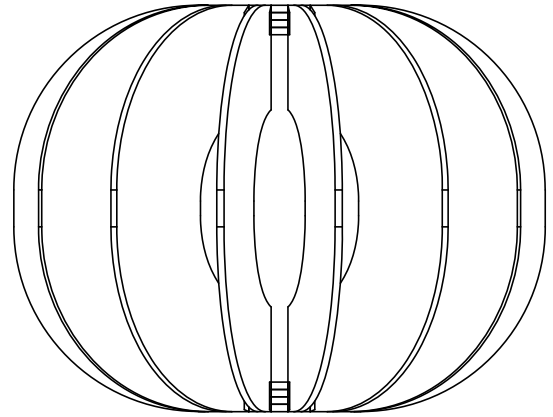
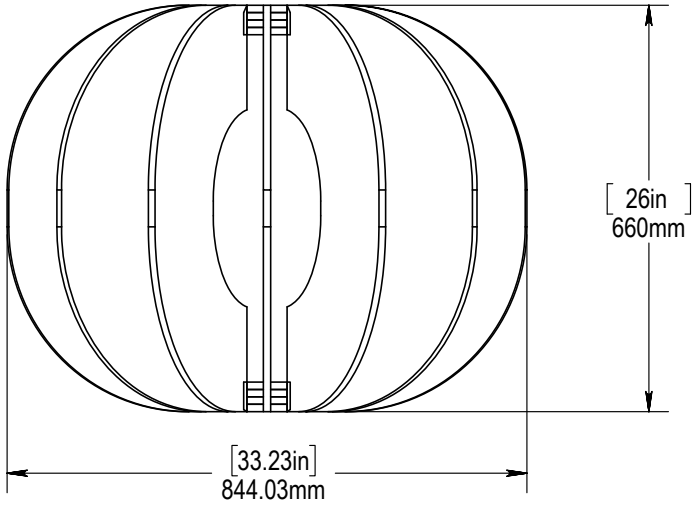


34-12- Pure
Gray

PRODUCT DIMENSIONS - TRIANGULAR



PRODUCT DIMENSIONS - CIRCULAR





Texas Fluorescents
Reinvented

CATALOG#: _____

PROJECT: _____

TYPE: _____

SAP Series

Architectural LED Spoked
Acoustic Pendant

PRODUCT DIMENSIONS - RECTANGULAR

