

Series RHB

LED Round HighBay

A sleek round high bay makes designing in challenging environments like warehouses, gymnasiums, retail centers and manufacturing facilities easy and provides a fresh appearance. This LED High Bay Pendant saves 60 percent energy vs. HID and fluorescent fixtures, and delivers 100,000 hours of lumen maintenance for a wide range of commercial and industrial lighting applications. Engineered to withstand significant voltage surges common in these large venues, ambient temperatures up to 55 degree Centigrade. A superior optical design and efficient illumination gives an ideal lighting distribution and glare control. The lens provides the right amount of illumination and glare control. A knockout in the center of the body allows adding a sensor easily and economically for enhanced energy savings and performance.

CONSTRUCTION

Durable, die cast aluminum housing with integral heat sink. Powder coated in a rich white finish. Consult for bronze finish. Matte white lens allows maximum light output with minimum glare control. Include a hook for simple and popular mounting.

TYPICAL OPTIONS & ACCESSORIES

Hook mount or pendant mount. Sensor options. Contact factory for more details.



DIMENSIONS

SIZE L x W x H in inches

13L: 13.03"Dia x 7.08"H

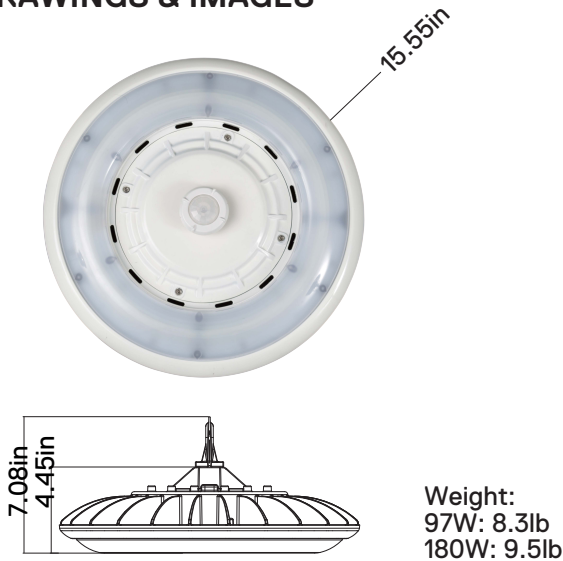
15L: 15.56"Dia x 7.08"H

FEATURES & BENEFITS

- Can be hook or pendant mounted
- Easy installation
- Energy efficient replacement for traditional metal halide
- Suitable for commercial or residential areas
- Wet location rated
- 6KV surge protection
- 120-277V&347-480V
- Operating temperature is -40°C to 55°C(-40°F to 131°F)
- 50,000 hrs of L70 LED life
- CRI >70
- 5 year warranty



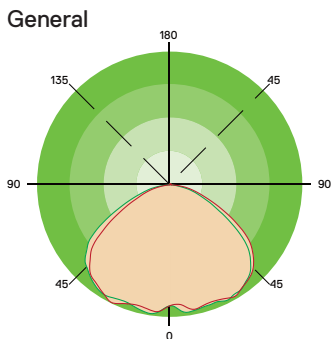
15L DRAWINGS & IMAGES



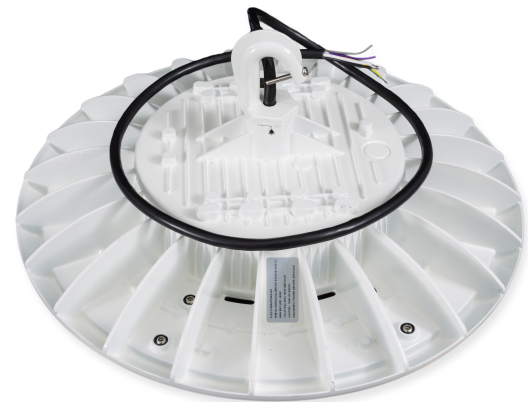
Line Voltage High/Low/Off PIR Integrated Outdoor Photo/Motion Sensor

- provides multi-level control based on motion and/or daylight contribution. It controls 0-10 VDC LED drivers or dimming ballasts, as well as non-dimming ballasts and, with an FSP-Lx Lens, is rated for wet and cold locations. All control parameters are adjustable via a wireless configuration tool capable of storing and transmitting sensor profiles.
- sensor ramps lighting On to the selected High mode level when motion is detected and the ambient light level is below the hold off setpoint. After the sensor stops detecting movement and the time delay elapses, lights fade to the Low mode level. If there is no motion during the subsequent cut off time delay, the lights will turn Off. For dusk to dawn control, the integral photocell can switch the lights On and Off based on the ambient light level so that lighting remains on overnight even without motion detection.

15L PHOTOMETRICS



BACK VIEW



ORDER INFORMATION

ITEM NO.	DESCRIPTION
RHB13L67W9300LDMV50K	LED Round Highbay 13.03" Dia x 7.08"H, Clear polycarbonate lens, 67W / 9300 Lumen, 120V-277V, 5000K, Hook Mount, White finish
RHB13L97W13500LDMV50K	LED Round Highbay 13.03" Dia x 7.08"H, Clear polycarbonate lens, 97W / 13500 Lumen, 120V-277V, 5000K, Hook Mount, White finish
RHB15L140W19100LDMV50K	LED Round Highbay 15.56" Dia x 7.08"H, Clear polycarbonate lens, 140W / 19100 Lumen, 120V-277V, 5000K, Hook Mount, White finish
RHB15L180W25000LDMV50K	LED Round Highbay 15.56" Dia x 7.08"H, Clear polycarbonate lens, 180W / 25000 Lumen, 120V-277V, 5000K, Hook Mount, White finish
SVRHB13L97W13500LDMV50K**	LED Round Highbay 13.03" Dia x 7.08"H, Clear polycarbonate lens, 97W / 13500 Lumen, 120V-277V, 5000K, Hook Mount, White finish, Integrated photo/motion sensor
SVRHB15L180W25000LDMV50K**	LED Round Highbay 15.56" Dia x 7.08"H, Clear polycarbonate lens, 180W / 25000 Lumen, 120V-277V, 5000K, Hook Mount, White finish, Integrated photo/motion sensor

* Consult factory for Bronze finish.

** Sensor installed is Wattstopper FSP211 which can be programmed with a remote. Remote is FSIR-100 and one per job is recommended.