

Series DKS

LED Linear Round Strip (2" Narrow or 3" Wide Body)

Full body micro silhouette makes a bold statement with a minimal design. The matte white diffuser surrounds the LEDs for soft lighting.

CONSTRUCTION

Smooth frosted lens. Designer matching ends are ideal for a variety of applications. Fully assembled housing is formed and welded, 22-gauge steel that is chemically treated to resist corrosion and enhance paint adhesion. Available in white, chrome and other standard finishes (see page 2); consult factory for custom finish options.

MOUNTING

Available for surface mounting horizontally or vertically, or for pendant mounting with engineering cable mounting kit.

TYPICAL OPTIONS & ACCESSORIES

Custom finishes, whips, fuses, and cord sets. Emergency battery backup available. Contact factory for custom options.

DIMENSIONS

Narrow Body 2" width

24L - 24"L x 2"W x 2.6"H

48L - 48"L x 2"W x 2.6"H

96L - 96"L x 2"W x 2.6"H

Wide Body 3" width

24L - 24"L x 3"W x 3"H

48L - 48"L x 3"W x 3"H

96L - 96"L x 3"W x 3"H

FEATURES & BENEFITS

- Surface or pendant mount options
- Suitable for Horizontal or Vertical installations
- White, simulated texture and chrome finishes; contact factory for custom finishes
- Multiple lumen packages /wattages available through use of programmable drivers
- Clean body - No knock-outs on sides or ends
- Easy installation
- Knock-outs on back accept standard electrical fittings (by others)
- Operating temperature -20°C to 55°C
- >50,000 hrs of L70 LED life
- CRI >80 (90CRI avail.)
- 0-10 Volt dimmable 120-277 (120V ELV/TRIAC avail.)
- Power Factor 0.90
- Suitable for dry and damp locations
- Emergency battery backup available
- 5 year warranty



ORDER INFORMATION

Factory at your fingertips. Fill in the blanks to create your part number or create a custom configuration.

2" Narrow Body

SERIES	LENS MATERIAL	SIZE	WATTAGE* & LUMENS*	DRIVER	COLOR & CRI**
DKS Linear Round Strip	MW Matte white lens	24L 24"	Z18W1900L 18 Watts 1900 Lumens	DMV 0-10V Dimming	30K 3000K 80 CRI
		48L 48"	Z35W3800L 35 Watts 3800 Lumens	G120 ELV/TRIAC Dimming at 120V only	35K 3500K 80 CRI
		96L 96"	Z70W7000L 70 Watts 7000 Lumens	D1MV 0-10V Dimming (dim to 1%)	40K 4000K 80 CRI 50K 5000K 80 CRI 930K 3000K 90 CRI 935K 3500K 90 CRI 940K 4000K 90 CRI 950K 5000K 90 CRI

3" Wide Body

SERIES	LENS MATERIAL	SIZE	WATTAGE* & LUMENS*	DRIVER	COLOR & CRI**
DKSWB Linear Round Strip Wide Body	MW Matte white lens	24L 24"	Z20W2000L 20 Watts 2000 Lumens	DMV 0-10V Dimming	30K 3000K 80 CRI
		48L 48"	Z40W4000L 40 Watts 4000 Lumens	G120 ELV/TRIAC Dimming at 120V only	35K 3500K 80 CRI
SDDKSWB Daylight Harvesting Sensor Low Profile Strip	MW Matte white lens	96L 96"	Z80W8000L 80 Watts 8000 Lumens	D1MV 0-10V Dimming (dim to 1%)	40K 4000K 80 CRI
			Z114W10800L 114 Watts 10800 Lumens		

Additional Options

FINISH	OPTIONS
WH White	EM14 14W Emergency battery backup, 3" or wider only - internal to the fixture
OAK Simulated oak painted finish	WP 6ft. 3 wire 18 gauge whip ...
WAL Simulated walnut painted finish	CS 8ft. 3/18 3 prong (5-15P) cord & plug
CH Chrome finish	HC-301 Hanging Kit
CHEND Chrome finish on end caps only	

Note:

*Programmable LED drivers allow custom configured wattages and corresponding lumens.

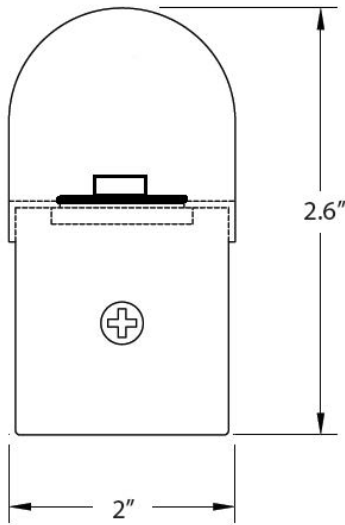
**Consult factory for 90CRI 5000K availability.

We reserve the right to change design, materials, LEDs and finish in any way that will not alter installed appearance or reduce function and performance.

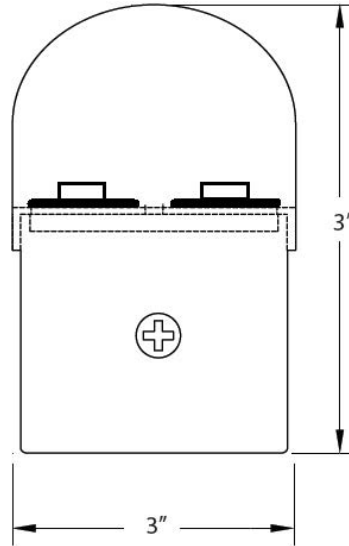
DRAWINGS & IMAGES

End View

2" Narrow Body



3" Wide Body

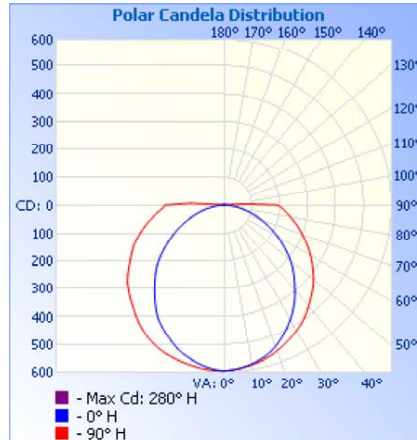
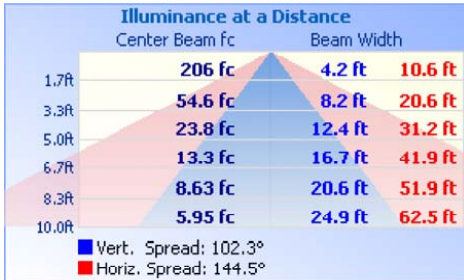


Custom Finishes Available



PHOTOMETRIC

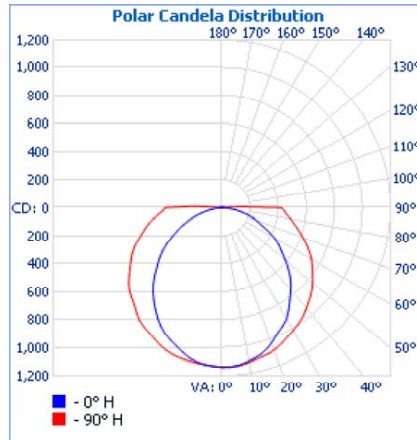
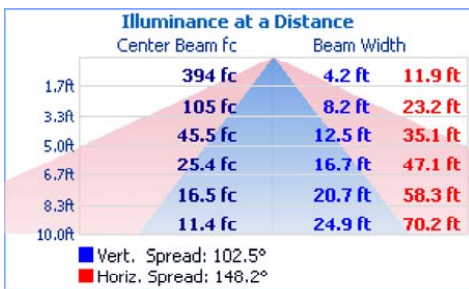
2FT - DKSMW24LZ18W1900LDMV40KWH



Zonal Lumen Summary

Zone	Lumens	%Luminaire
0-30	459.5	22.6%
0-40	754.6	37.2%
0-60	1,366.9	67.3%
60-90	621.4	30.6%
70-100	402.7	19.8%
90-120	41.6	2.1%
0-90	1,988.2	97.9%
90-180	41.6	2.1%
0-180	2,029.9	100%

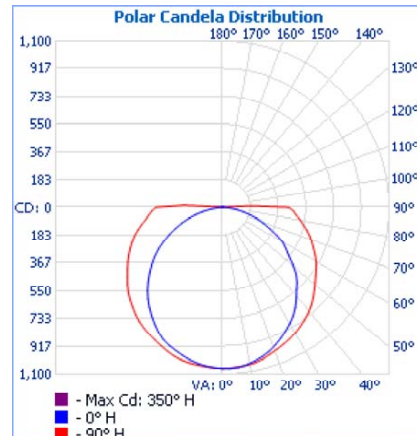
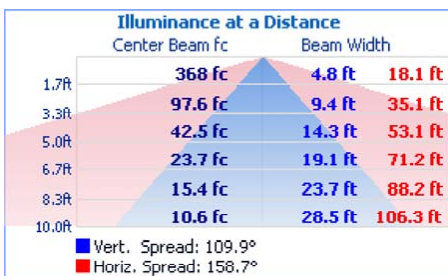
4FT - DKSMW48LH35W3400LDMV40KWH



Zonal Lumen Summary

Zone	Lumens	%Luminaire
0-30	885.4	22.4%
0-40	1,457.1	36.8%
0-60	2,652.9	67%
60-90	1,231.9	31.1%
70-100	794.4	20.1%
90-120	75.9	1.9%
0-90	3,884.8	98.1%
90-180	475.9	1.9%
0-180	3,960.7	100%

4FT - DKSWBMW48LE40W4000LDMV40KWH



Zonal Lumen Summary

Zone	Lumens	%Luminaire
0-30	836.0	21.2%
0-40	1,386.1	35.2%
0-60	2,567.5	65.2%
60-90	1,281.1	32.5%
70-100	848.9	21.5%
90-120	91.5	2.3%
0-90	3,848.7	97.7%
90-180	91.5	2.3%
0-180	3,940.2	100%