



Texas Fluorescents
Reinvented

CATALOG#: _____
PROJECT: _____
TYPE: _____

Series CLLLBF

LED Linear Direct/Indirect Lighting Channel

The CLLLBF Series is a linear direct/indirect channel that is only 2.2" wide and 3.15" high. It features 60% downlight and 40% uplight. Four foot and eight foot lengths can be used individually or joined together for longer runs. Recommended up to 16 ft with one power feed. Two strips of LEDs on the top of the channel provide the uplight. A frosted lens snaps into place to provide comfortable, glare free lighting. An Aluminum Channel houses a snap-in LED gear tray with the LED arrays and driver. The gear tray has a plug-in module for a wiring harness to allow easy electrical joining of two channels, as well as a plug in for the pendant mounting kit. Mechanical joiners allow easy joining of two channels with allen screws (joiner tool sold separately). The aluminum housing is available in white or satin aluminum and can be painted in your choice of custom finishes (consult the factory). End caps can be painted to match or left in the satin aluminum or white finish. Available with 5 or 12 Foot pendant mounting kit with five wire power feed on one end and cable only on the other. White canopy kit comes standard with each pendant kit. Canopies can also be painted (consult factory). Integral Multi-Volt driver dims easily with 0-10V controls that require 5 wires.

CONSTRUCTION

Anodized Aluminum Channel is lightweight, streamlines and dissipates heat well, designed especially for LED arrays. Highly tooled aluminum end caps screw onto the aluminum channel and protect the channel and LED arrays from dust – to keep the LEDs clean and in optimum condition. A raceway in the back of the channel provides both a heat sink for the LEDs and a holder for screws to pendant mount the channels. The channels can be suspended. Snap-in flush frosted lens is specially formulated for smooth illumination of the LED. Aluminum extrusion channel and LED gear tray features integral constant current driver which is multi-volt and allows 0-10V dimming, female wiring harnesses for easy connection of mounting power feed or to join two channels for a longer run. Mechanical joiners with allen screws allow easy continuous run appearance.



DIMENSIONS

48L - 48.43"L x 2.17"W x 3.15"H
96L - 96.42"L x 2.17"W x 3.15"H

FEATURES & BENEFITS

- Easy installation
- Suitable for individual or continuous run installations
- Max run 16ft. with main power supply
- Innovative anti-light leak clips in the space between diffuser and end-cap
- Aluminum channel
- Integral driver, snap-fit lens
- Integral wire harness
- Magnetic light leak block
- Life >50,000 Hours
- Operating temperature -20°C to 55°C
- 0-10 Volt dimmable 120-277V
- CRI >80
- Suitable for dry and damp locations



ORDER INFORMATION

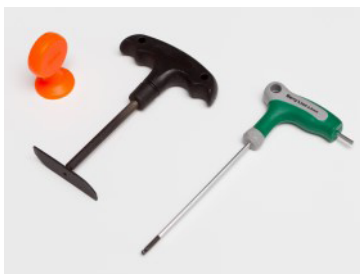
Complete Fixture

ITEM NUMBER	DESCRIPTION
CLLLBF48LU18WD27WDMV30KSAHC705WH	2.2 IN WIDE X 2.8 IN HT X 4 FT LONG DIMMING LED DIRECT/INDIRECT PEND 27W DOWN, 18W UP, 4500 TOTAL LUMENS 3000K WITH 5FT CABLE KIT SATIN ALUM FINISH
CLLLBF96LU36WD54WDMV30KSAHC705WH	2.2 IN WIDE X 2.8 IN HT X 8 FT LONG DIMMING LED DIRECT/INDIRECT PEND 54W DOWN, 36W UP, 9000 TOTAL LUMENS 3000K WITH 5FT CABLE KIT SATIN ALUM FINISH
CLLLBF144LU54WD81WDMV30KSAHC705WH	2.2 IN WIDE X 2.8 IN HT X 12 FT LONG DIMMING LED DIRECT/INDIRECT PEND 81W DOWN, 54W UP, 13500 TOTAL LUMENS 3000K WITH 5FT CABLE KIT SATIN ALUM FINISH
CLLLBF192LU72WD108WDMV30KSAHC705WH	2.2 IN WIDE X 2.8 IN HT X 16 FT LONG DIMMING LED DIRECT/INDIRECT PEND 108W DOWN, 72W UP, 18000 TOTAL LUMENS 3000K WITH 5FT CABLE KIT SATIN ALUM FINISH

*For 4000K, change 35K to 40K; For White finish, change SA to WH.
Consult for longer runs and different finishes.

Mounting Hardware and Tools (Mounting hardware included in above items. Only specify where additional kits required.)
Tool options purchased separately.

ITEM NUMBER	DESCRIPTION
LLLBFHCPF705WWH	LLLBF Pendant Mounting Power Feed White Canopy 5 Wire Clear Cord and 6ft. Cable
LLLBFHCPF7125WWH	LLLBF Pendant Mounting Power Feed White Canopy 5 Wire Clear Cord and 12ft. Cable
LLLBFHCNPF705WWH	LLLBF Pendant Mounting Non-Power White Canopy Kit, 6ft. Cable
LLLBFHCNPF712WWH	LLLBF Pendant Mounting Non-Power White Canopy Kit, 12ft. Cable
LLLSFLENSTOOL	Tool to remove Lens and Harness
LLLSGJOINERTOOL	Tool to use Mechanical Joiner



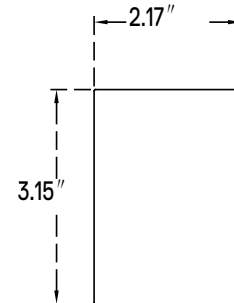
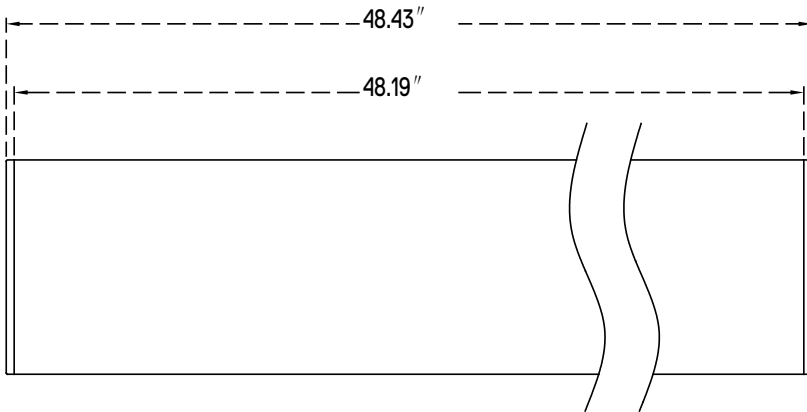
USE TOOLS TO SIMPLIFY INSTALLATION
LLLSFLENSTOOL - Lens Tool
LLLSGJOINERTOOL - Joiner Tool

We reserve the right to change design, materials, LEDs and finish in any way that will not alter installed appearance or reduce function and performance.

DRAWINGS & IMAGES



48L



96L

