



Texas Fluorescents
Reinvented

CATALOG#: _____
PROJECT: _____
TYPE: _____

Series C

LED Open and Lensed Strip (4.25" wide)

The Series C medium-body open strip is ideal for warehouses, retail, and utility areas requiring general illumination with a commercial wide strip configuration, low maintenance, and maximum flexibility to quickly change wattage, lumens or color temperature, simply by changing the lamp. Frosted lens accessory available. Consult to add reflectors.

CONSTRUCTION

Housing is die-formed and embossed code 22 gauge steel. Finish is high reflectance baked white enamel. Wiring knockouts are provided on back and end of housing.

MOUNTING

Surface mount, chain hung, double stem.

TYPICAL OPTIONS & ACCESSORIES

Whips, wire guards, Emergency battery backup. Contact factory for more details.



Frosted Lens

No Lens

DIMENSIONS

- 24L - 24" L x 4.25" W x 2.00" H
- 48L - 48" L x 4.25" W x 2.00" H
- 96L - 96" L x 4.25" W x 2.00" H

FEATURES & BENEFITS

- End plate doubles as coupler for continuous row mounts
- See IND Series for similar fixtures with reflectors
- Suitable for dry and damp locations
- Variety of lumen packages / wattages through use of programmable drivers
- Multiple color temperatures available (3000K, 3500K, 4000K and 5000K); consult factory for RGBW option
- CRI >80 standard, 90 optional
- L70: >50,000 Hours
- Dimming: 0-10V 120-277V standard, 120 ELV/TRIAC optional
- Emergency battery backup available
- Power factor >0.90
- 5 year warranty





Texas Fluorescents
Reinvented

CATALOG#: _____
PROJECT: _____
TYPE: _____

Series C

LED Open and Lensed Strip
(4.25" wide)

PRODUCT NUMBERS

Factory at your fingertips. Fill in the blanks to create your part number or create a custom configuration.

W L

SERIES	LENGTH	LENS MATERIAL	WATTAGE* & LUMENS*	DRIVER	COLOR/CRI**
C	24L 24"	Blank No Lens	F24W3000L 24 Watts 3000 Lumens	DMV 0-10V Dimming	30K 3000K
		FR ¹ Frosted	F30W3400L 30 Watts 3400 Lumens	G120 ELV/TRIAC Dimming at 120V only	35K 3500K
	48L 48"		F35W4500L 35 Watts 4500 Lumens	D1MV 0-10V Dimming (dim to 1%)	40K 4000K
			F48W6000L 48 Watts 6000 Lumens		50K 5000K
			F57W7100L 57 Watts 7100 Lumens		930K 3000K 90 CRI
	96L 96"		F70W9100L 70 Watts 9100 Lumens		935K 3500K 90 CRI
			F97W11900L 97 Watts 11900 Lumens		940K 4000K 90 CRI
			F118W14200L 118 Watts 14200 Lumens		950K 5000K 90 CRI

OPTIONS

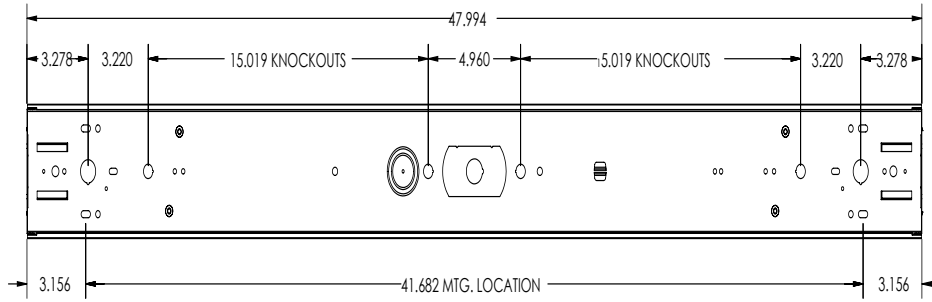
- EM** 10W Emergency battery backup (internal, excludes less than 4ft)
- EM12** 12W Emergency battery backup (remote only)
- EM20** 20W Emergency battery backup (remote only)
- WP** 6 ft. 3 wire 18 gauge whip
- WP4** 6 ft. 4 wire 18 gauge whip (non-dimming EM)
- WP5W** 6 ft. 5 wire 18 gauge whip
- WP6W** 6 ft. 6 wire 18 gauge whip (dimming EM)

Note:
FR¹ Frosted lens reduces about 10% light output.
*Programmable LED drivers allow custom configured wattages and corresponding lumens.
**Consult factory for 5000K 90CRI availability.
We reserve the right to change design, materials LEDs and finish in any way that will not alter installed appearance or reduce function and performance.

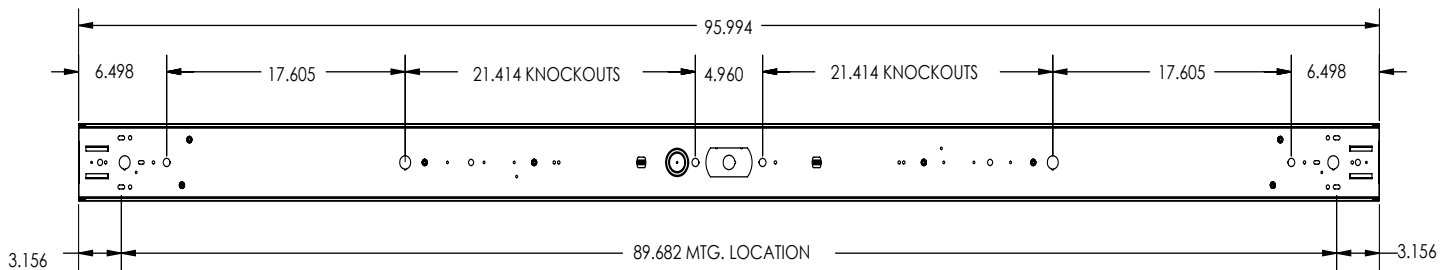
DRAWINGS & IMAGES

Back

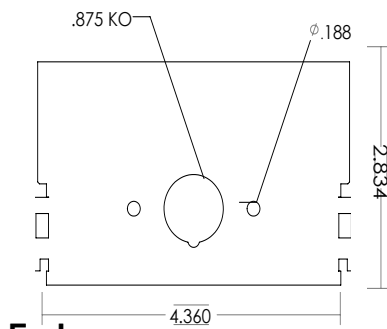
2ft.



4ft.



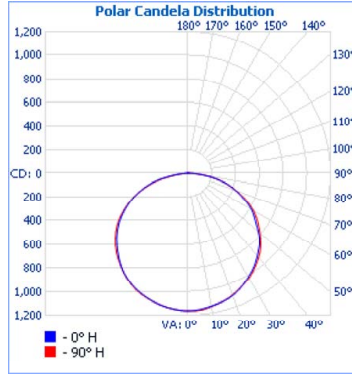
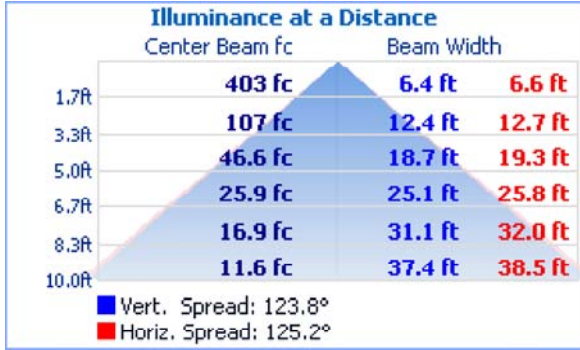
8ft.



End

PHOTOMETRICS

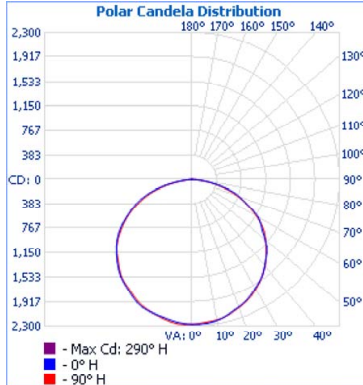
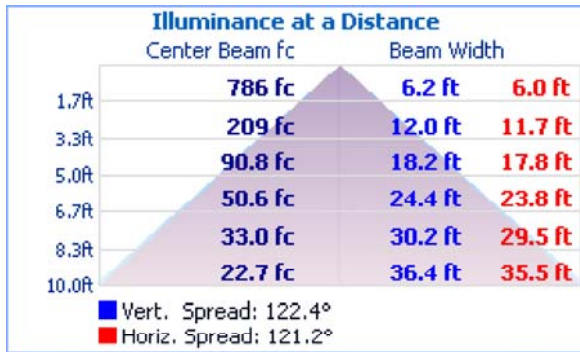
2FT - C24LF24W3350LDMV40K



Zonal Lumen Summary

Zone	Lumens	% Lamp	% Luminaire
0-30	918.9	24.8%	24.5%
0-40	1,528.2	41.2%	40.7%
0-60	2,819.2	76.1%	75.1%
60-90	932.0	25.1%	24.8%
70-100	414.3	11.2%	11%
90-120	1.5	0%	0%
0-90	3,751.2	101.2%	100%
90-180	1.5	0%	0%
0-180	3,752.7	101.2%	100%

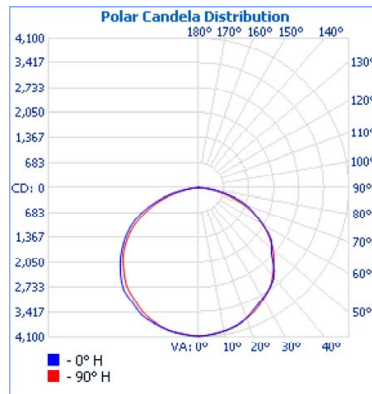
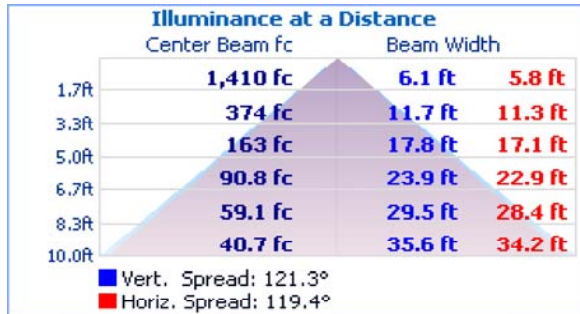
4FT - C48LF48W6500LDMV40K



Zonal Lumen Summary

Zone	Lumens	% Luminaire
0-30	1,789.7	25.2%
0-40	2,969.3	41.9%
0-60	5,434.5	76.7%
60-90	1,652.3	23.3%
70-100	693.5	9.8%
90-120	1.7	0%
0-90	7,086.9	100%
90-180	1.7	0%
0-180	7,088.6	100%

8FT - C96LF97W13000LDMV40K



Zonal Lumen Summary

Zone	Lumens	% Luminaire
0-30	3,197.8	25.9%
0-40	5,293.6	42.9%
0-60	9,613.3	77.9%
60-90	2,729.3	22.1%
70-100	1,102.6	8.9%
90-120	2.8	0%
0-90	12,342.7	100%
90-180	2.8	0%
0-180	12,345.5	100%



Texas Fluorescents
Reinvented

CATALOG#: _____
PROJECT: _____
TYPE: _____

Series C
LED Open and Lensed Strip
(4.25" wide)

ORDER INFORMATION

DLC Listed Items



24" ITEM NUMBER	48" ITEM NUMBER	96" ITEM NUMBER
C24LF18W2500LDMV30K	C48LF48W5650LDMV30K	C96LF24W3500LDMV50K
C24LF18W2500LDMV35K	C48LF48W5650LDMV35K	C96LF48W6500LDMV30K
C24LF18W2500LDMV40K	C48LF48W5650LDMV40K	C96LF48W6500LDMV35K
C24LF18W2500LDMV50K	C48LF48W5650LDMV50K	C96LF48W6500LDMV40K
C24LF24W3350LDMV30K	C48LF48W6500LDMV30K	C96LF48W6500LDMV50K
C24LF24W3350LDMV35K	C48LF48W6500LDMV35K	C96LF57W7800LDMV30K
C24LF24W3350LDMV40K	C48LF48W6500LDMV40K	C96LF57W7800LDMV35K
C24LF24W3350LDMV50K	C48LF48W6500LDMV50K	C96LF57W7800LDMV40K
C24LF28W3700LDMV30K	C48LF57W6400LDMV30K	C96LF57W7800LDMV50K
C24LF28W3700LDMV35K	C48LF57W6400LDMV35K	C96LF70W9800LDMV30K
C24LF28W3700LDMV40K	C48LF57W6400LDMV40K	C96LF70W9800LDMV35K
C24LF28W3700LDMV50K	C48LF57W6400LDMV50K	C96LF70W9800LDMV40K
C24LF30W3900LDMV30K	C48LF57W7800LDMV30K	C96LF70W9800LDMV50K
C24LF30W3900LDMV35K	C48LF57W7800LDMV35K	C96LF97W13000LDMV30K
C24LF30W3900LDMV40K	C48LF57W7800LDMV40K	C96LF97W13000LDMV35K
C24LF30W3900LDMV50K	C48LF57W7800LDMV50K	C96LF97W13000LDMV40K
C24LFRF18W2300LDMV30K	C48LF61W7000LDMV30K	C96LF97W13000LDMV50K
C24LFRF18W2300LDMV35K	C48LFRF24W3200LDMV30K	C96LFRF118W14200LDMV30K
C24LFRF18W2300LDMV40K	C48LFRF24W3200LDMV35K	C96LFRF118W14200LDMV35K
C24LFRF18W2300LDMV50K	C48LFRF24W3200LDMV40K	C96LFRF118W14200LDMV40K
C24LFRF24W3000LDMV30K	C48LFRF24W3200LDMV50K	C96LFRF118W14200LDMV50K
C24LFRF24W3000LDMV35K	C48LFRF30W4000LDMV30K	C96LFRF24W3200LDMV30K
C24LFRF24W3000LDMV40K	C48LFRF30W4000LDMV35K	C96LFRF24W3200LDMV35K
C24LFRF24W3000LDMV50K	C48LFRF30W4000LDMV40K	C96LFRF24W3200LDMV40K
C24LFRF28W3300LDMV30K	C48LFRF30W4000LDMV50K	C96LFRF24W3200LDMV50K
C24LFRF28W3300LDMV35K	C48LFRF30W4000LDMV50K	C96LFRF48W6000LDMV30K
C24LFRF28W3300LDMV40K	C48LFRF35W4500LDMV30K	C96LFRF48W6000LDMV35K
C24LFRF28W3300LDMV50K	C48LFRF35W4500LDMV35K	C96LFRF48W6000LDMV40K
C24LFRF30W3400LDMV30K	C48LFRF35W4500LDMV40K	C96LFRF48W6000LDMV50K
C24LFRF30W3400LDMV35K	C48LFRF35W4500LDMV50K	C96LFRF57W7100LDMV30K
C24LFRF30W3400LDMV40K	C48LFRF48W6000LDMV30K	C96LFRF57W7100LDMV35K
C24LFRF30W3400LDMV50K	C48LFRF48W6000LDMV35K	C96LFRF57W7100LDMV40K
C24LFRV22 W2800LDMV30K	C48LFRF48W6000LDMV40K	C96LFRF57W7100LDMV50K
C24LFRV22 W2800LDMV35K	C48LFRF48W6000LDMV50K	C96LFRF70W9100LDMV30K
C24LFRV22 W2800LDMV40K	C48LFRF57W7100LDMV30K	C96LFRF70W9100LDMV35K
C24LFRV22 W2800LDMV50K	C48LFRF57W7100LDMV35K	C96LFRF70W9100LDMV40K
C24LV22W2800LDMV30K	C48LFRF57W7100LDMV40K	C96LFRF70W9100LDMV50K
C24LV22W2800LDMV35K	C48LFRF57W7100LDMV50K	C96LFRF97W11900LDMV30K
C24LV22W2800LDMV40K	C48LFRV37W5000LDMV30K	C96LFRF97W11900LDMV35K
C24LV22W2800LDMV50K	C48LFRV37W5000LDMV35K	C96LFRF97W11900LDMV40K
C48LF24W3500LDMV30K	C48LFRV37W5000LDMV40K	C96LFRF97W11900LDMV50K
C48LF24W3500LDMV35K	C48LFRV37W5000LDMV50K	C96LFRV74W10050LDMV30K
C48LF24W3500LDMV40K	C48LV37W5000LDMV30K	C96LFRV74W10050LDMV30K
C48LF24W3500LDMV50K	C48LV37W5000LDMV35K	C96LFRV74W10050LDMV35K
C48LF28W3200LDMV30K	C48LV37W5000LDMV40K	C96LFRV74W10050LDMV40K
C48LF30W4300LDMV30K	C48LV37W5000LDMV50K	C96LFRV74W10050LDMV50K
C48LF30W4300LDMV35K	C48LV37W5000LDMV50K	C96LFRV74W10050LDMV50K
C48LF30W4300LDMV40K	C96LF118W15500LDMV30K	C96LV74W10050LDMV30K
C48LF30W4300LDMV50K	C96LF118W15500LDMV35K	C96LV74W10050LDMV35K
C48LF32W4050LDMV30K	C96LF118W15500LDMV40K	C96LV74W10050LDMV35K
C48LF32W4050LDMV35K	C96LF118W15500LDMV50K	C96LV74W10050LDMV40K
C48LF32W4050LDMV40K	C96LF24W3500LDMV30K	C96LV74W10050LDMV40K
C48LF32W4050LDMV50K	C96LF24W3500LDMV35K	C96LV74W10050LDMV50K
C48LF35W4900LDMV30K	C96LF24W3500LDMV40K	C96LV74W10050LDMV50K
C48LF35W4900LDMV35K	C96LF24W3500LDMV50K	
C48LF35W4900LDMV40K		
C48LF35W4900LDMV50K		