



JOB NAME:

CAT#:

TYPE:

APPLICATIONS

This round high bay fixture easily replaces most HID, induction, and fluorescent high bay fixtures. The HBRMSR is available in 135, 175, or 200 watts, 0-10V dimmable, and suitable for wet locations. It also has the option of adding a motion sensor and emergency battery pack for energy savings and brightness in emergency situations. General applications include: warehouses, manufacturing plants, sports facilities, and retail spaces.

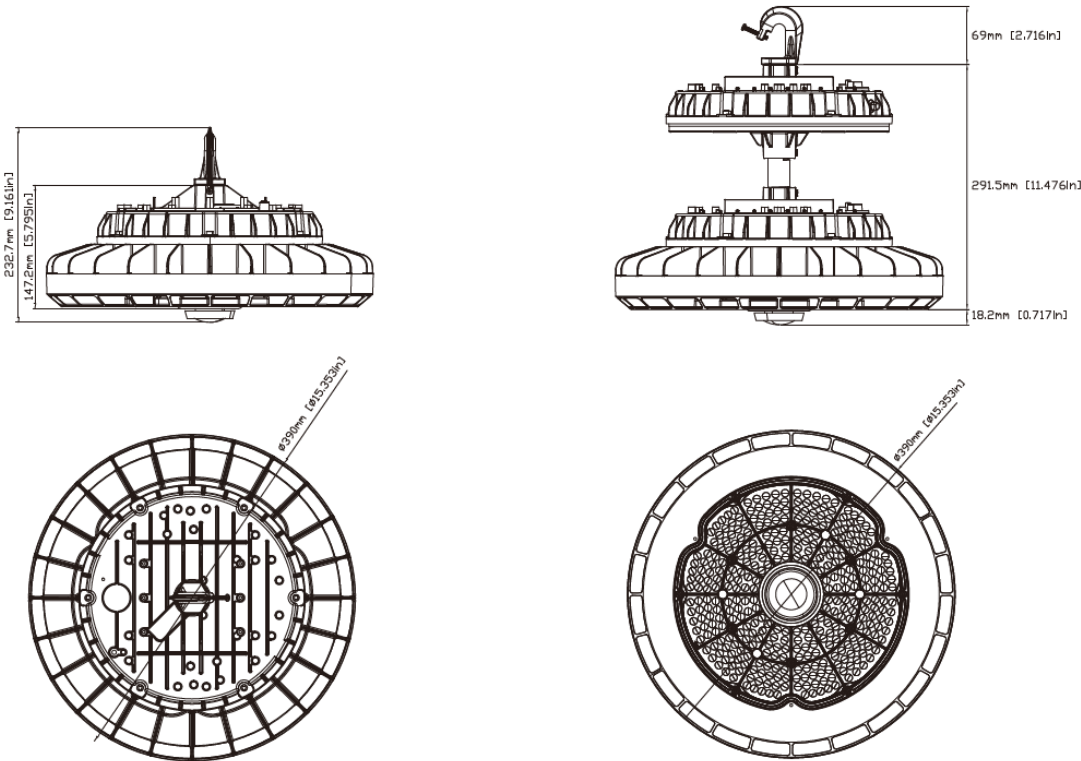


IP65
Rated

FEATURES & BENEFITS

- Operating temperature -40°C to 55°C (-40°F to 131°F)
- Min CRI 70
- Hook or conduit pendant mount for different applications
- Hook mount comes standard
- Suitable for wet locations
- 120° lens guarantees light intensity and uniformity
- ^cUL_{US} Listed for Wet Locations
- IP65 Rated
- 5 year warranty

DIMENSIONS



Dimensions and specifications subject to change without notice.





JOB NAME:

CAT#:

TYPE:

Mounting
Suitable for Hook or 3/4" Conduit pendant.

Emergency Battery
16W 2000lm 90min

Motion Sensor
Optional motion sensor allows for security and energy saving.



ORDERING

EXAMPLE: HBRMSR LED 135 DMV WH 40 OS EM

HBRMSR LED

1. SERIES	2. GEAR	3. WATTAGE/LUMENS ¹	4. DRIVER	5. FINISH	6. COLOR TEMP	7. REFLECTOR
HBRMSR	LED	135 135 Watts 19400 Lumens	DMV 120-277VAC 0-10V Dimmable	WH White ³ BZ Bronze BK Black ³	40 4000K 50 5000K	Blank No reflector AL Aluminum
		175 175 Watts 25600 Lumens				
		200 200 Watts 29800 Lumens				
8. SENSOR		9. EM(O)⁴				
OS Occupancy Sensor		EM Emergency Battery Backup				

Notes:

- ¹Lumens with 120-277V and 5000K
- ²Consult for availability
- ³Special Order
- ⁴O is Optional

Dimensions and specifications subject to change without notice.





JOB NAME:

CAT#:

TYPE:

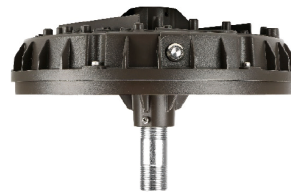
ACCESSORIES

- REF-HBRMSR-CL-KIT** Clear acrylic reflector & 4 stainless steel screws
- REF-HBRMSR-FR-KIT** Frosted acrylic reflector & 4 stainless steel screws
- A-S16-CB** 16" stainless steel clamp band (required when using lens)
- L-CDL16-FR*** 16" frosted acrylic conical drop lens
- L-CDL16-CL*** 16" clear acrylic conical drop lens
- L-SFL16-FR*** 16" frosted acrylic smooth flat lens
- L-SFL16-CL*** 16" clear acrylic smooth flat lens

Must purchase A-S16-CB with lens

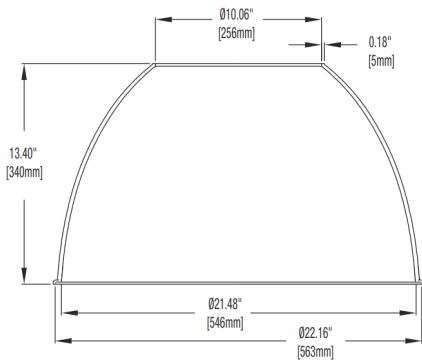


Motion Sensor
Integrated motion sensor available for on/off and dimming control for maximum energy savings.



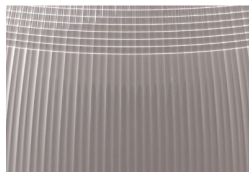
Emergency Box
Emergency battery pack would provide the necessary brightness in emergency situations.
Applicable ambient temperature is 10°C(50°F) to 40°C(104°F).

ACRYLIC REFLECTOR ACCESSORY



Clear Acrylic

Frosted Acrylic



Dimensions and specifications subject to change without notice.



JOB NAME:

CAT#:

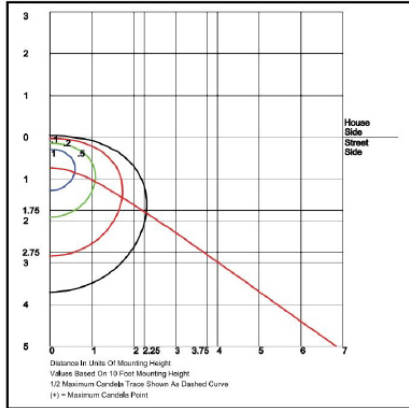
TYPE:

PHOTOMETRICS

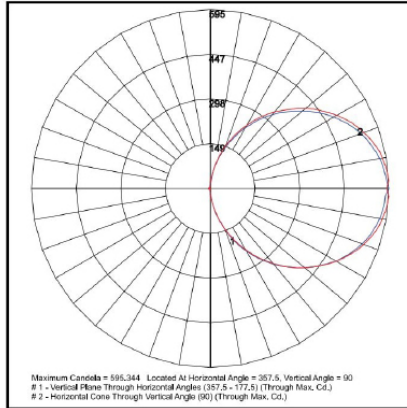
ESBO

ESBE

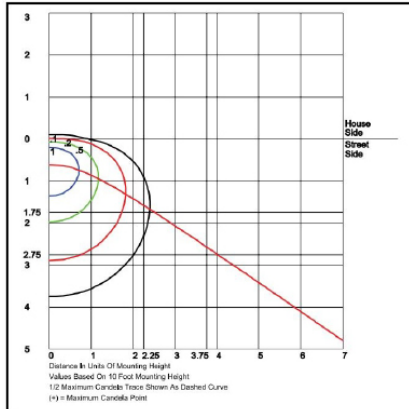
ESBG



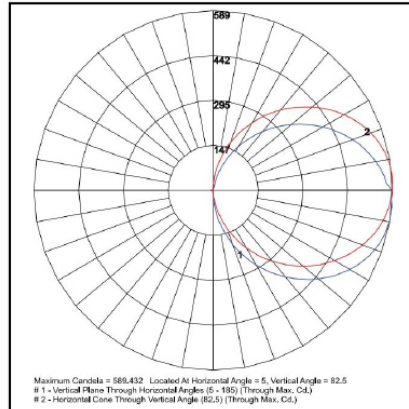
Grid in MH
MH=10 Feet



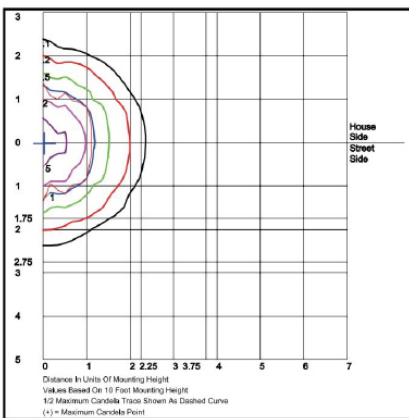
Grid in MH
MH=10 Feet



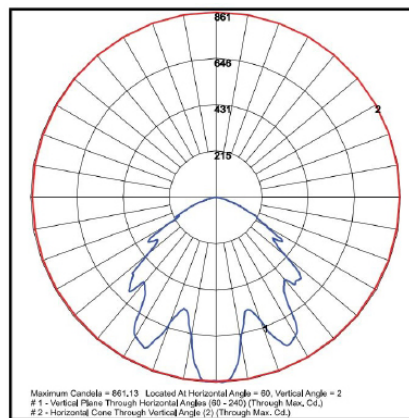
Grid in MH
MH=10 Feet



Grid in MH
MH=10 Feet



Grid in MH
MH=10 Feet



Grid in MH
MH=10 Feet

Dimensions and specifications subject to change without notice.

