

### APPLICATIONS

Low profile center basket RDIS is ideal for shallow plenum spaces. Specification grade, direct/indirect center diffuser luminaire provides smooth and uniform ambient lighting for all commercial and industrial buildings with recessed configurations. Reflected light from matte surfaces providing a softened perforated appearance to the modern office environment.

### FEATURES & BENEFITS

- ◆ Direct/indirect mimics perforated appearance providing low glare
- ◆ Matte white reflective surfaces for soft, uniform light distribution
- ◆ Recessed perforated center diffuser with acrylic overlay
- ◆ T5 or T8 lamp options
- ◆ 1, 2 or 3 lamp positions
- ◆ 1x4 is 1LT8 or 2LT5 only
- ◆ Over 80% efficiency when used with optional acrylic diffuser
- ◆ Recessed inverted T-bar ceilings. Grid mount
- ◆ Earthquake clips standard
- ◆ Every fixture individually tested
- ◆ Surface unit available. Consult factory.
- ◆ Consult website for most current information
- ◆ **UL** listed for damp location



### SPECIFICATIONS

Housing is die-formed and embossed code 22 gauge steel. Luminaire body finish is high reflectance baked white enamel, with matte white reflectors. Wiring knockouts are provided on the back of housing. Center diffuser snaps into place; no tools are required for removal. Diffuser is perforated to maintain even brightness and provided with an internal, acrylic overlay to obscure lamps. Listed by and bears **UL** label.

### ORDERING DATA

EXAMPLE: RDIS24-232PFMVB1

RDIS		RDIS		RDIS		RDIS		RDIS		RDIS		RDIS	
Series	Size	Nbr. of Lamps (per cross section)	Lamp Type	Diffuser	Ballast Type	Options							
RDIS	14 1x4 22 2x2 24 2x4	1 2 3	14 22" T5 17 24" T8 24 22" T5HO 28 46" T5 32 48" T8 40BX Biaxal TT5 54 46" T5HO	PF Perforated Basket FR Frosted	MV 120 - 277V 120 120V 277 277V R120 Residential Electronic 120V Program Start PMV Sylvania Powersense Dimming DMV Wired 1 end hot for T8 LED tubes LED2E* Wired 2 end hot for T8 LED tubes	See Below							

### OPTIONS

- A Advance Ballast
- G GE Ballast
- L Lutron
- S Sylvania Ballast
- U Universal
- B1 T8/T5 1L 500 Lumens Battery Backup (B11)
- B2 T8/T5 1L/2L 700 Lumens Battery Backup (B48)
- B3 T8/T5 1L/2L 1400 Lumens Battery Backup (B223)
- B51 T5HO 1L 500 Lumens Battery Backup (B625)
- B52 T5HO 1L 800 Lumens Battery Backup (B585)
- B53 T5HO 1L 1300 Lumens Battery Backup (B626)
- 11 Dual Ballasts 1 Lamp + 1 Lamp
- 21 Dual Ballasts 2 Lamp + 1 Lamp
- 22 Dual Ballasts 2 Lamp + 2 Lamp
- 31 Dual Ballasts 3 Lamp + 1 Lamp
- L41 741K Lamps Installed
- L35 735K Lamps Installed
- L841 841K Lamps Installed
- L835 835K Lamps Installed
- RIF Radio Interference Filter
- WP Whip 6Ft. 3 Wire
- WP4 Whip 6Ft. 4 Wire

### Fixture Notes

- 1) 1x4 is 1LT8 or 2LT5
- 2) Battery Backup (#) if ordering separately
- 3) Call factory for additional options

\*Assembled with no ballast made for UL Listed, self ballasted retrofit LED lamps

Dimensions and specifications subject to change without notice.



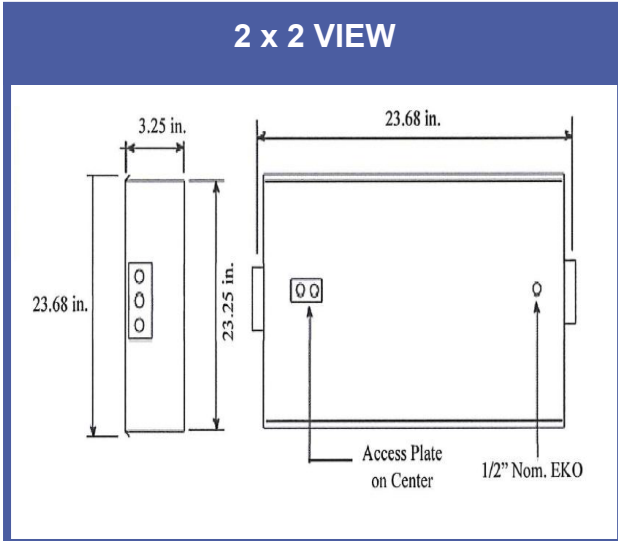
### BALLAST SPECIFICATIONS

#### Performance Levels

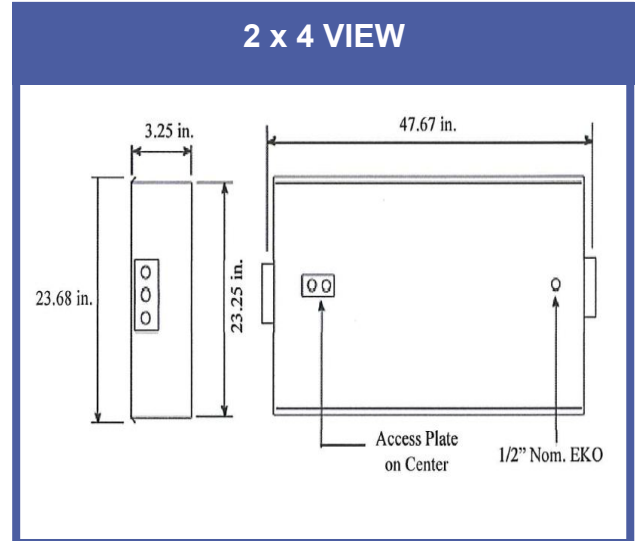
Ballast			
Manufacturer	Standard - Leave blank if no preference	High Efficiency Instant Start	High Efficiency Program Start
Advance (A)	Centium ICN (A)	Optanium (AL, AN, AH)	Optanium PS (APL, APN, APH)
GE (G)	Proline GE (G)	UltraMax (GL, GN, GH)	UltraStart (GPL, GPH, GPH)
Osram/Sylvania (S)	Quicktronic Pro (S)	Quicktronic QHE (SL, SN, SH)	ProStart (SPL, SPN, SPH)
Universal (U)	ULT STD Electronic (U)	HP Electronic (UL, UN, UH)	AccuStart (UPI, UPN, UPH)

### DIMENSIONS

#### 2 x 2 VIEW



#### 2 x 4 VIEW



Dimensions and specifications subject to change without notice.



◆ 800-444-WATT ◆ www.mobern.com ◆

8200 Stayton Dr., Ste. 100, Jessup, MD 20794

CAT#

JOB NAME

TYPE