



JOB NAME:

CAT#:

TYPE:

APPLICATIONS

Premium recessed deep cell parabolic T-bar troffer designed for maximum efficiency and visual comfort. Ideal for commercial and industrial buildings requiring general illumination with recessed configurations and low glare.

Housing is die-formed and embossed code 22 gauge steel. Luminaire body finish is high reflectance baked white enamel, with matte white reflectors. Wiring knockouts are provided on the back of housing. Center diffuser snaps into place; no tools are required for removal. Listed by and bears ETL label.

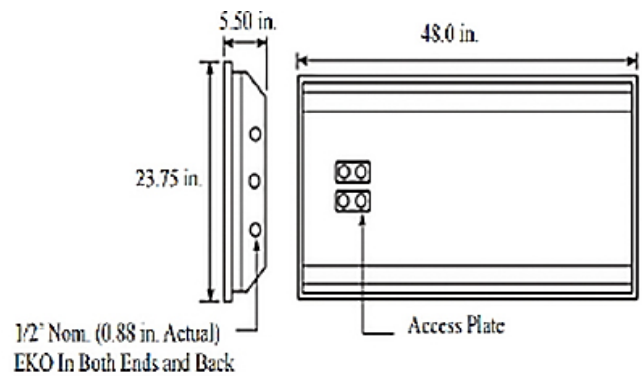
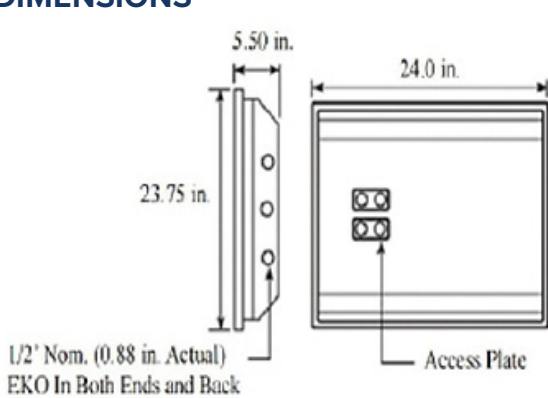


FEATURES & BENEFITS

- Technology - Post Powder Paint
- > 90% reflectivity
- IC Rated
- Corrosion and scratch resistant
- Smooth edges for easy handling
- Louver manufactured from low iridescnet semi-specular anodized aluminum
- Protective plastic dust cover keeps louver clean during shipping and installation
- Black reveal provides gap free floating louver appearance
- Hinges from either side
- Die-formed steel T-hinges
- Positive locking cam action latches
- Air functions - choice of static, air supply or heat removal
- Various cell configurations available
- Access plate for quick wiring
- Recessed inverted T-bar ceilings. Grid mount
- Equipped with Integral Earthquake Clips
- Every fixture is individually tested
- cETLus listed for damp location

Model Configuration	A	B	C
1' x 4'	11 3/4"	47 3/4"	48"
2' x 2'	23 3/4"	23 3/4"	24"
2' x 4'	23 3/4"	47 3/4"	48"

DIMENSIONS



Lumens are subject to a tolerance of ±10% and not relevant to RGB
Input wattage can vary depending on options
Dimensions and specifications subject to change without notice.





JOB NAME:

CAT#:

TYPE:

ORDERING

EXAMPLE: RP 14 LED 24 DMV 8 30

RP		LED																												
1. SERIES	2. SIZE	3. GEAR	4. WATTAGE/LUMENS		5. DRIVER		6. LOUVER		7. COLOR TEMP																					
RP	14	1x4			DMV	120-277V Multivolt 0-10V Dimmable		1X4	30	3000K																				
	22	2x2				SDMV	Step dimming Multivolt		2X2	35	3500K																			
	24	2x4					D347			347VAC 0-10V Dimming		9	40	4000K																
										D120	Triac Dimming 120VAC		12	50	5000K															
											D277			Triac Dimming 277VAC		16														
														D277			12													
															D277					16										
																		D277			18									
																			D277					24						
																						D277			32					
																							D277					32		
																										D277			32	
				D277				32																						

8. EMERGENCY (O) ²		9. OVERLAY (O) ²		10. WHIP (O) ²	
EM	Emergency Battery Pack 10W ~ 1700 Lumens	OL	Frosted Overlay behind louver	WP	6' 3 Wire Flexible Conduit
EM5	Emergency Battery Pack 5W ~ 850 Lumens				

Notes:
¹Consult for other wattages
²(O) is optional

Lumens are subject to a tolerance of ±10% and not relevant to RGB
 Input wattage can vary depending on options
 Dimensions and specifications subject to change without notice.

