

APPLICATIONS

Premium grade surface mounted ceiling luminaire with a limitless range of applications. For use in indoor applications where aesthetics and quality are important. Designed for schools, offices, commercial and public buildings.

FEATURES & BENEFITS

- ◆ **P** Technology - Post Powder Paint
- ◆ >90% reflectivity
- ◆ Corrosion and scratch resistant
- ◆ Smooth edges for easy handling
- ◆ Clean appearance with no exposed fasteners
- ◆ Clear prismatic acrylic diffuser
- ◆ All seams are welded to prevent light leaks
- ◆ Door hinges on either side for easy re-lamping
- ◆ Positive locking cam action latches with matching finish
- ◆ Available in multiple lamp configurations
- ◆ Uses T5 or T8 lamps
- ◆ Pre-lamp available
- ◆ UL Listed for damp locations



SPECIFICATIONS

Housing is die-formed and spot welded cold rolled steel. Finish is high reflectance **P3 - Post Powder Paint**. Ballast cover snaps into place eliminating the need for tools when accessing the ballast. Standard diffuser is a clear prismatic acrylic lens designed for high efficiency and low glare illumination. The door frame hinges downward on either side and is held in the closed position by two positive cam latches. Knockouts are provided for stem mounting. Mounting holes are provided. Listed by and bears **UL** label.

ORDERING DATA

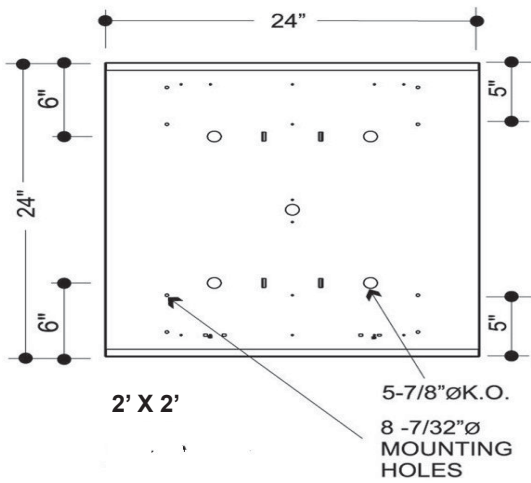
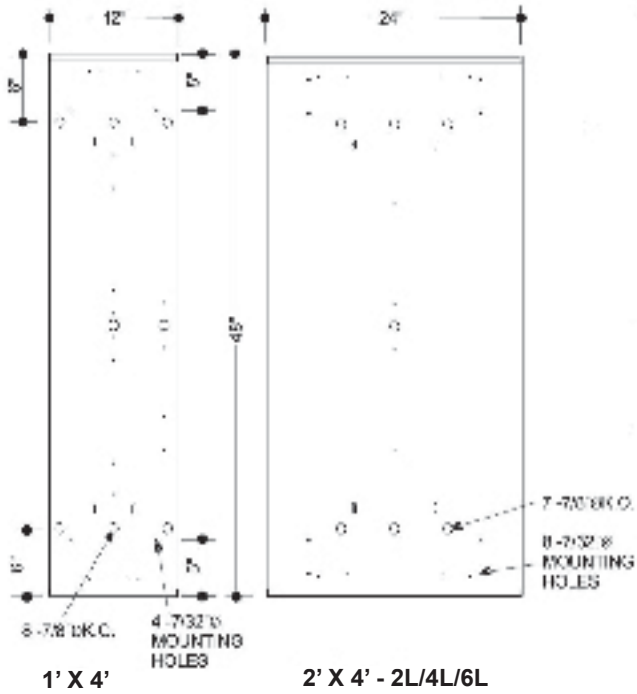
EXAMPLE: S24-332MVB1

S						
Series	Size	# of Lamps	Lamp Size	Voltage	Options	Louvers
S	14 1 x 4	1 1 Lamp	17 T8	MV 120-277V	B1 Battery backup 500 Lumens	Blank .5 x .5 White eggcrate
	22 2 x 2	2 2 Lamp	32 T8	R120 Residential 120Volt	B2 Battery backup 700 Lumens	S.5 .5x.5 silver parabolic
	24 2 x 4	3 3 Lamp	40 F5/BIAx	DMV Dimming 120-277V	G Gasketing	S.75 .75x.75 silver parabolic
		4 4 Lamp	54 T5HO 46"		RF Radio interference filter	S1.5 1.5x1.5 silver parabolic
		5 5 Lamp*	U32X 6" U-bent T8 (2x2 only)		XS Silver MIRO4 reflector	A78 Aluminum silver 78 cell parabolic
		6 6 Lamp*	U32Y 1 5/8" U-bent T8 (2x2 only)		125 .125 Thick prismatic lens	*Call for additional options
		* 2x2 and 2x4 only			156 .156 Thick prismatic lens	
					CL .100" thick clear lens	
					CL125 .125" thick clear lens	
					CL156 .156" thick clear lens	

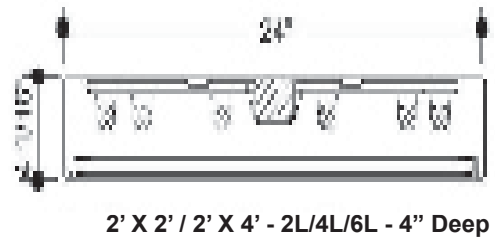
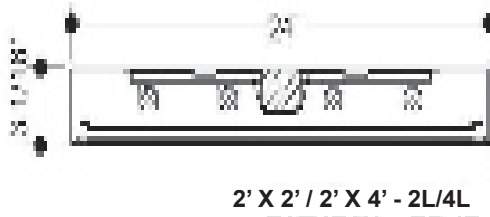
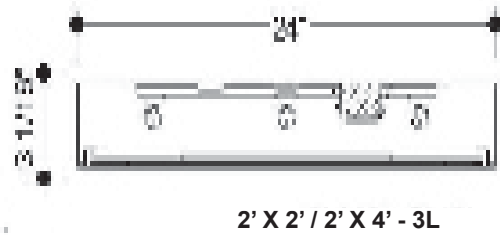
Dimensions and specifications subject to change without notice.

DIMENSIONS

TOP VIEWS



END VIEWS



Dimensions and specifications subject to change without notice.