

APPLICATIONS

Premium grade surface mount troffer dish with a center basket or side basket provides direct/indirect light with modern styling and high visual comfort. For use in commercial and industrial buildings where low glare, high quality, design and ease of installation are required.

FEATURES & BENEFITS

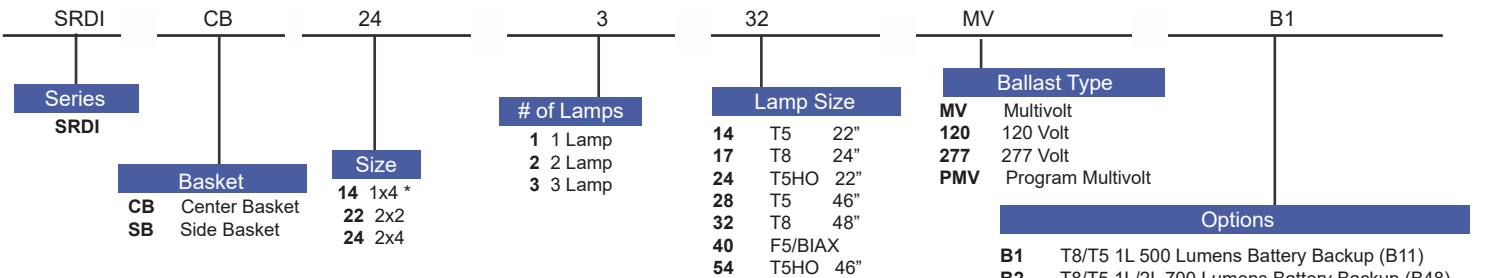
- ◆ **P³ Technology - Post Powder Paint**
- ◆ > 90% reflectivity
- ◆ Corrosion and scratch resistant
- ◆ Smooth edges for easy handling
- ◆ Contemporary shallow design
- ◆ Single basket shaped perforated metal shield
- ◆ Translucent opal white acrylic diffuser overlay
- ◆ Clean appearance with no exposed fasteners
- ◆ Uses T5, T8 or BIAx lamps
- ◆ Earthquake clips standard with fixture
- ◆ Every fixture individually tested
- ◆ **UL** listed for damp location

SPECIFICATIONS

Housing is a die-formed and spot welded from 20 gauge cold rolled steel. **P3 - Post Powder Paint** finish in a matte white. Indirect reflectors are precision formed and contoured to provide soft indirect illumination while maintaining high efficiency and wide uniform lighting distribution. Die-formed steel basket is perforated for direct illumination with a translucent opal white acrylic overlay diffuser for visual comfort. Perforated basket flexes over mounting studs on housing for easy installation and re-lamping. Wiring access plate or knockouts are provided on back of housing for flexible conduit attachment. Hole provided for chain mounting support to building structure. Side basket fixture and surface mount options are available. Listed by and bears **UL** label.

ORDERING DATA

EXAMPLE: SRDI CB24 332MVB1



Brands	
Code No.	Description
A	Advance
G	GE Ballast
L	Lutron
S	Sylvania Ballast
U	Universal

Performance Levels			
Ballast			
Manufacturer	Standard - Leave blank if no preference	High Efficiency Instant Start	High Efficiency Program Start
Advance (A)	Centium ICN (A)	Optanium (AL, AN, AH)	Optanium PS (APL, APN ???)
GE (G)	Proline GE (G)	UltraMax (GL, GN, GH)	UltraStart (GPL, GPH, GPH)
Osram/Sylvania (S)	Quicktronic Pro (S)	Quicktronic QHE (SL, SN, SH)	ProStart (SPL, SPN, SPH)
Universal (U)	ULT STD Electronic (U)	HP Electronic (UL, UN, UH)	AccuStart (UPI, UPN, UPH)

- B1** T8/T5 1L 500 Lumens Battery Backup (B11)
- B2** T8/T5 1L/2L 700 Lumens Battery Backup (B48)
- B3** T8/T5 1L/2L 1400 Lumens Battery Backup (B223)
- B51** T5HO 1L 500 Lumen Battery Backup (B625)
- B52** T5HO 1L 800 Lumens Battery Backup (B585)
- B53** T5HO 1L 1300 Lumens Battery Backup (B626)
- 11** Dual Ballasts 1 Lamp + 1 Lamp
- 21** Dual Ballasts 2 Lamp + 1 Lamp
- 22** Dual Ballasts 2 Lamp + 2 Lamp
- 31** Dual Ballasts 3 Lamp + 1 Lamp
- L41** Lamps Installed 741K
- L35** Lamps Installed 735K
- L841** Lamps Installed 841K
- L835** Lamps Installed 835K
- RIF** Radio Interference Filter

Battery Backup (#) if ordering separately.
 *Call factory for additional options
 *Lamps purchased separately



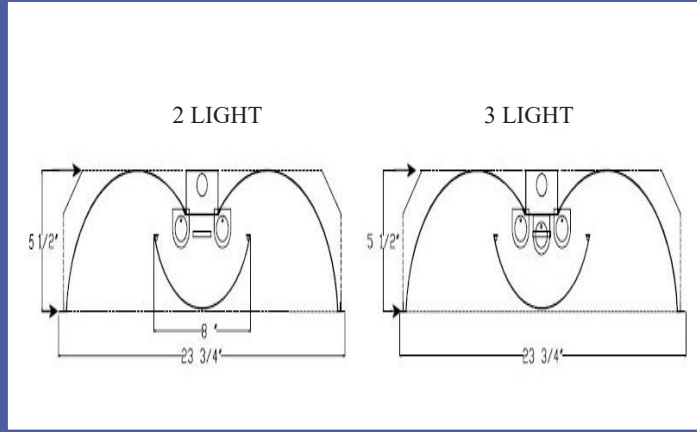
Dimensions and specifications subject to change without notice.

◆ 800-444-WATT ◆ www.mobern.com ◆
 8200 Stayton Drive, Ste. 500. Jessup, MD 20794

CAT#	
JOB NAME	
TYPE	

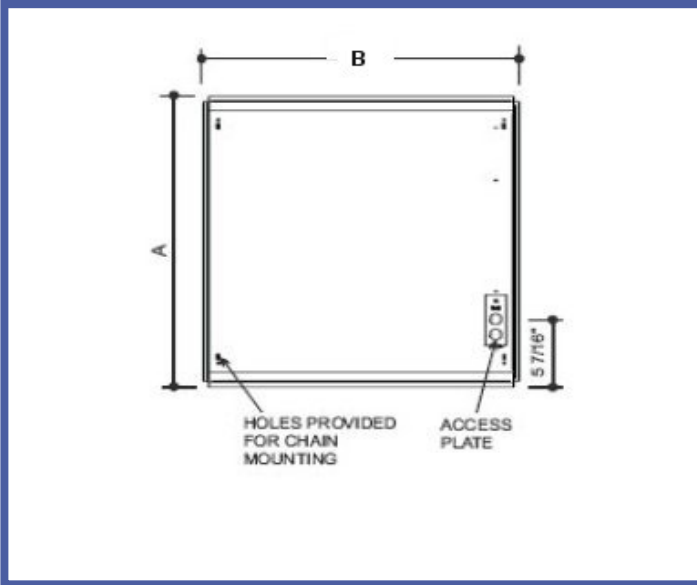
DIMENSIONS

CENTER BASKET END VIEWS

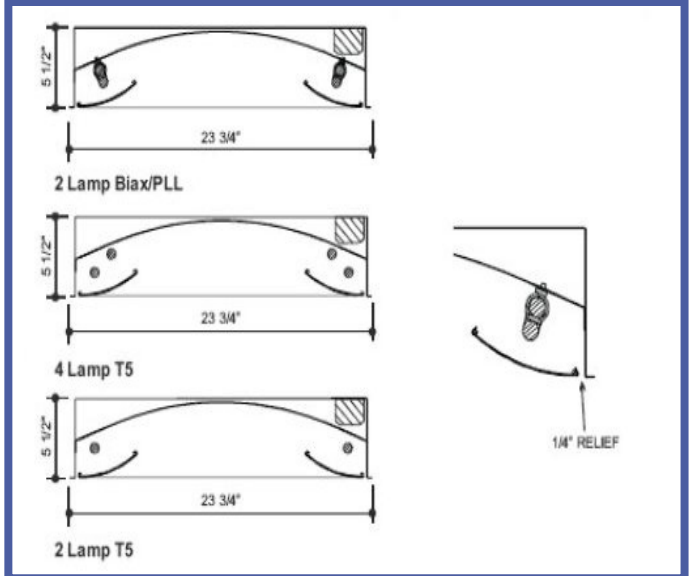


MODEL CONFIGURATION	A	B
2' X 2'	24"	24"
2' X 4'	24"	48"
1' X 4'	12"	48"

SIDE BASKET TOP VIEW



SIDE BASKET END VIEWS



Dimensions and specifications subject to change without notice.

◆ 800-444-WATT ◆ www.mobern.com ◆
8200 Stayton Drive, Ste. 500. Jessup, MD 20794



CAT#

JOB NAME

TYPE