

### APPLICATIONS

The RKBC Assembled Strip Retrofit Kit is designed to convert 4' or 8' T12 fluorescent strip fixtures to more efficient T8 technology. The RKBC series can ship fully assembled and ready to install when ordered with a ballast. The channel cover is designed to precisely fit 4" (42) or 5" (50) channels to provide a clean, factory installed appearance.

### FEATURES & BENEFITS

- ◆ 1, 2, 3, or 4 lamps are secured with rotary locking lamp sockets
- ◆ Lamp socket accepts No. 18 gauge wire, either solid, solder dipped or twisted-tinned or fuse wire
- ◆ Reflectors are precision formed and high performance
- ◆ Premium enhanced white cover
- ◆ Suitable for damp locations
- ◆ SMALL CAN ballast ONLY accommodated
- ◆ Ballast and lamps can be ordered with these kits
- ◆ UL listed sockets and ballast components



### KIT INCLUDES

- (1) 48 in. or 96 in. Ballast cover with lamp holder cut outs
- (1) Ballast mounting plate
- Short Lamp Holders (style and quantity as specified)
- (8) #8 x 3/8" TEX mounting screws

### SPECIFICATIONS

The RKBC retrofit kit mounts easily, requiring only simple hand tools. The process includes removal of the existing ballast cover(s) and removal of the existing socket brackets and ballast.

### ORDERING DATA

**EXAMPLE: RKBC4421T8BL10MV**

RKBC											
Series	Length	Channel Width		Lamp Type	Ballast Brand		Ballast Factor		Wiring Options		
<b>RKBC</b>	4 4' cover	<b>42</b>	4.25" W	<b>T8</b>	<b>(Blank)</b>	Not Specified	<b>Blank</b>	No Ballast	<b>(Blank)</b>	Loose parts	
<b>Universal Strip Retrofit Kit</b>	8 8' cover	<b>50</b>	5.0" W	<b>T5</b>	<b>A</b>	Advance	<b>L</b>	Low .77	<b>-WR</b>	Wired	
		# of lamps in cross section			<b>G</b>	GE	<b>N</b>	Normal .88			
		1			<b>S</b>	Sylvania	<b>H</b>	High 1.18			
		2			<b>U</b>	Universal					
				<b>Ballast/Socket Type</b>			<b>Ballast Type</b>				
				<b>BL10</b>	Instant Start (Shunted)		<b>Blank</b>	No ballast			
				<b>BL 11</b>	Program Start (Unshunted)		<b>MV</b>	Multivolt			
							<b>PMV</b>	Program start multivolt			
							<b>DMV</b>	Sylvania multivolt dimming			
							<b>SD</b>	Step dim multivolt			
							<b>LED</b>	1 end hot for T8 or T5 LED tubes <sup>2,3</sup>			
							<b>LED-2E</b>	2 ends hot for T8 or T5 LED tubes <sup>2,3</sup>			

<sup>1</sup>Standard instant start is normal  
<sup>2</sup>Assembled with no ballast. UL listed when supplied with UL listed LED tubes installed  
<sup>3</sup>Must add -WR for wired

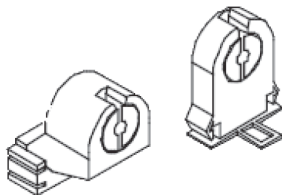
Dimensions and specifications subject to change without notice.



**BALLAST SPECIFICATIONS**

Performance Levels			
Ballast			
Manufacturer	Standard - Leave blank if no preference	High Efficiency Instant Start	High Efficiency Program Start
Advance (A)	Centium ICN (A)	Optanium (AL, AN, AH)	Optanium PS (APL, APN, APH)
GE (G)	Proline GE (G)	UltraMax (GL, GN, GH)	UltraStart (GPL, GPH, GPH)
Osram/Sylvania (S)	Quicktronic Pro (S)	Quicktronic QHE (SL, SN, SH)	ProStart (SPL, SPN, SPH)
Universal (U)	ULT STD Electronic (U)	HP Electronic (UL, UN, UH)	AccuStart (UPI, UPN, UPH)

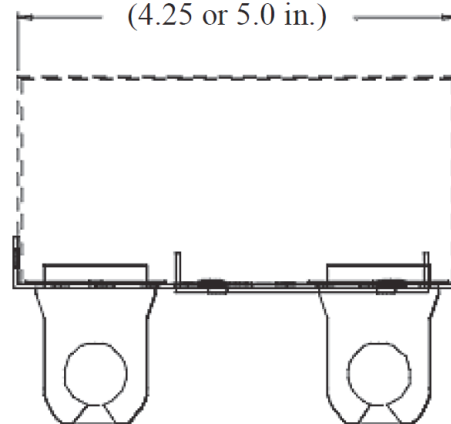
**DIMENSIONS**



T5 Style lamp holder on left covers 48 in. body to correct length for T5 lamp.  
T8 style lamp holder shown on right.

**Strip Width**

(4.25 or 5.0 in.)



Two (2) lamp positions shown

Dimensions and specifications subject to change without notice.

