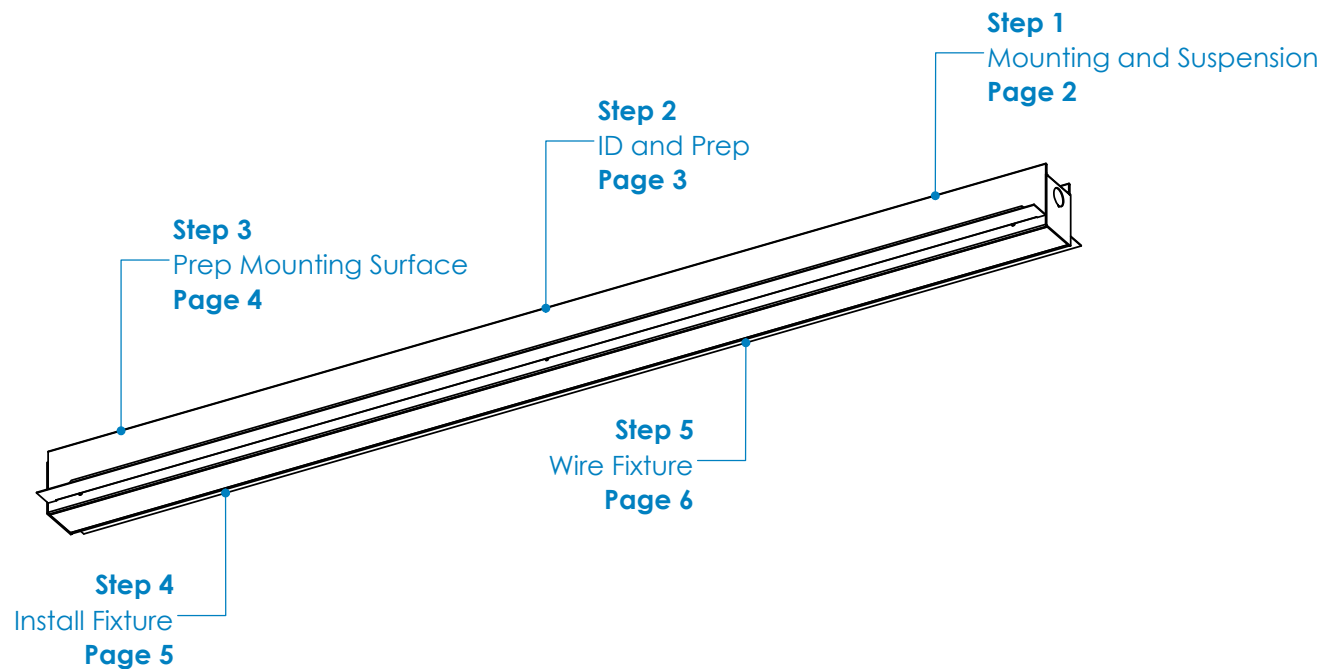


L23-Recessed Installation Instructions Overview

WARNINGS

- This product must be installed in accordance with all applicable codes by a person familiar with the product.
- Each fixture must be **properly supported** during install.
- **DO NOT** join fixtures on the floor prior to lifting, or damage will occur.
- **Before beginning installation**, review our complete list of warnings by visiting www.saylite.com/warnings.



Your particular build may vary.

2020© Saylite | 2055 Luna Road, Suite 142 Carrollton, Texas 75006 | www.saylite.com

L23-Recessed Installation Instructions

Step 1 - Mounting and Suspension

MOUNTING

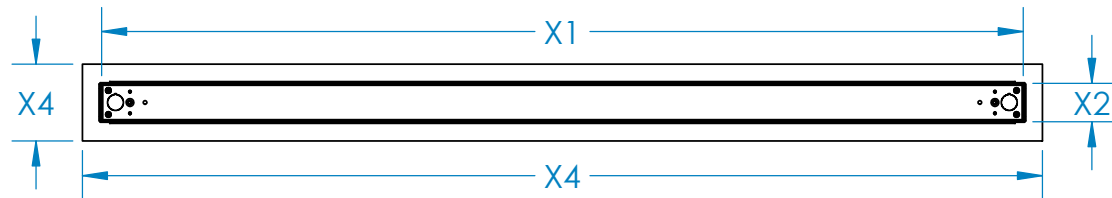
Drywall or sheetrock - Construction Screws

- Install fixture at desired location.
- Ensure fixture is secure.
- Prepare ceiling for fixture mounting.

Suspension Locations

X = Fixture Dimensions

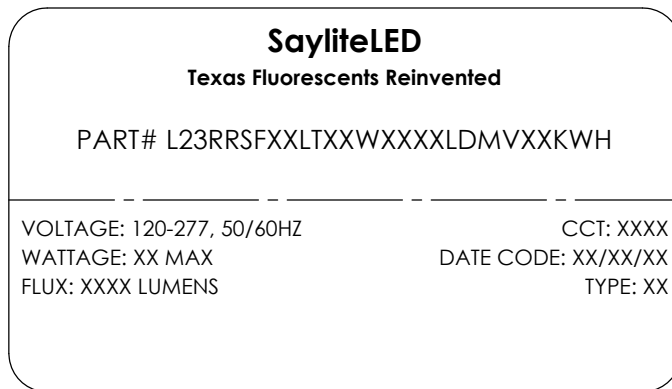
Refer to Assembly Drawings and building plans to determine exact fixture dimensions and power feed locations.



L23-Recessed Installation Instructions

Step 2 - Identification and Preparation

A. Identify Fixtures



- Use labels found on the box and inside the fixture bodies to identify bodies.
- **NOTE:** Locations of labels can vary.
- Remove all fixtures from their boxes.
- Organize fixtures based on their labels at the install location.

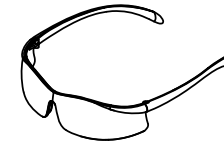
Kitted Hardware

- Saylite has provided the items listed here, with their Saylite part numbers listed. These items can be found in separate boxes shipped with the fixture.
- Ensure all parts are accounted for and set them aside until needed.
- Any additional hardware needed for this installation will be provided by others.

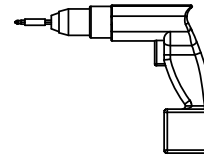
B. Tools Needed



Mud Knife



Safety Glasses



Drill



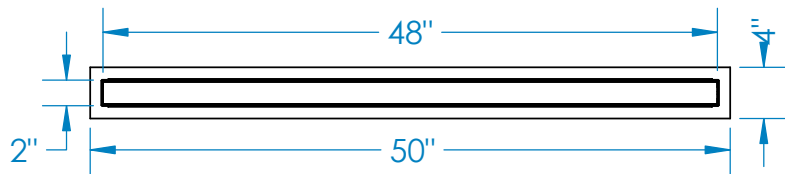
Utility Knife

- Always use proper safety equipment when installing fixtures.
- Tools shown are recommended for standard install. Tools needed may vary based on actual install location conditions.

L23-Recessed Installation Instructions

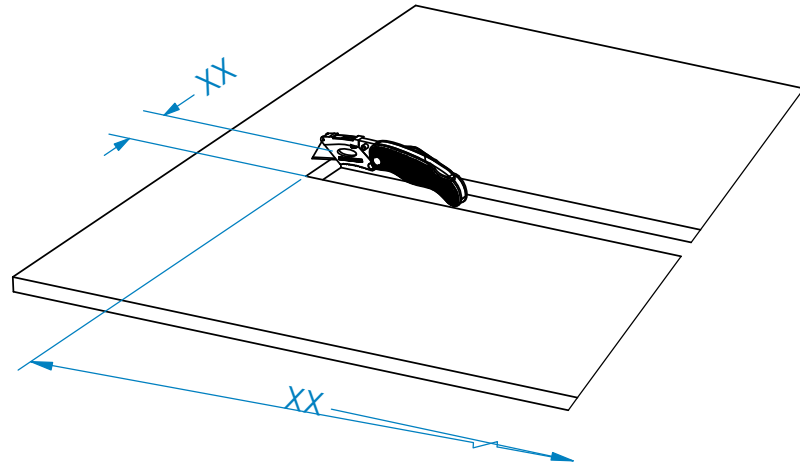
Step 3 - Prepare Mounting Surface

A. Transfer Measurements



- Note the length and width dimensions of the fixture, including the pre-installed flange.
- Transfer dimensions to sheetrock/ceiling grid
- **NOTE:** 4 ft fixture shown, dimensions may vary.

B. Make Cut-Out



- Using a utility knife or similar, cut out an opening in the mounting surface.
- **NOTE:** Keep the cut out size as small and tight to the fixture as possible.

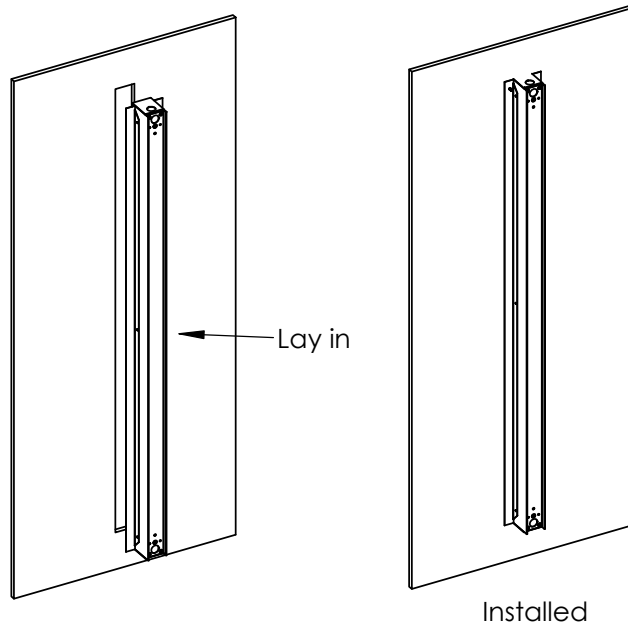
L23-Recessed Installation Instructions

Step 4 - Install the Fixture



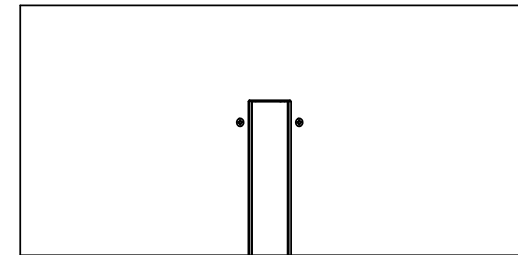
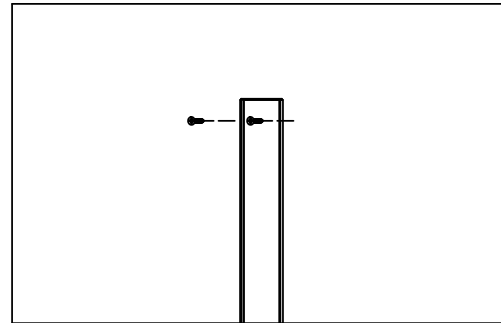
Texas Fluorescents Reinvented

A. Position Fixture In Cut-Out



- NOTE: For ease of installation rotate the fixture while guiding it thru the cut out in the drywall.
- Position one end of the fixture in the opening, then gently lay the fixture into the opening.
- The flange should make full contact with the inside of the cutout.

B. Secure the Fixture



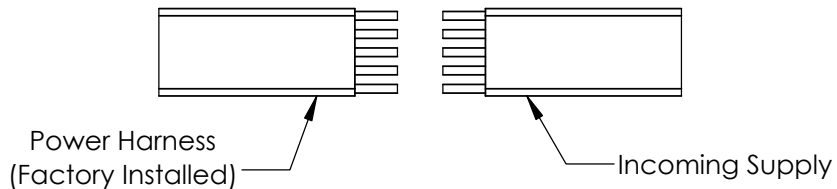
- While supporting the fixture, secure to the mounting surface using sheetrock screws or equivalent.
- Make sure the screws are flush with the mounting surface.

L23-Recessed Installation Instructions

Step 5 - Wire the Fixture

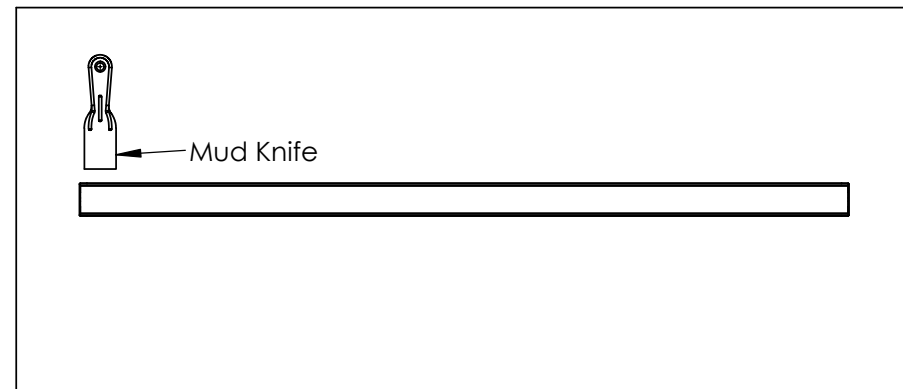
A. Connect Fixture Wiring

WIRING LEGEND		
BLACK	HOT	Line Voltage
WHITE	NEUTRAL	Line Voltage
GREEN	GROUND	
GRAY	DIMMING	0-10V DC
VIOLET	DIMMING	0-10V DC



- Wire the fixture to the incoming power supply. Refer to the wiring legend above as needed.
- **Note:** Use UL approved connector only. Follow all local, state, and national codes.

B. Mud Over Screws



- **Note: Follow manufacturer's directions.** Mud over the mounting screws, leaving a smooth finish.
- Install is now complete.