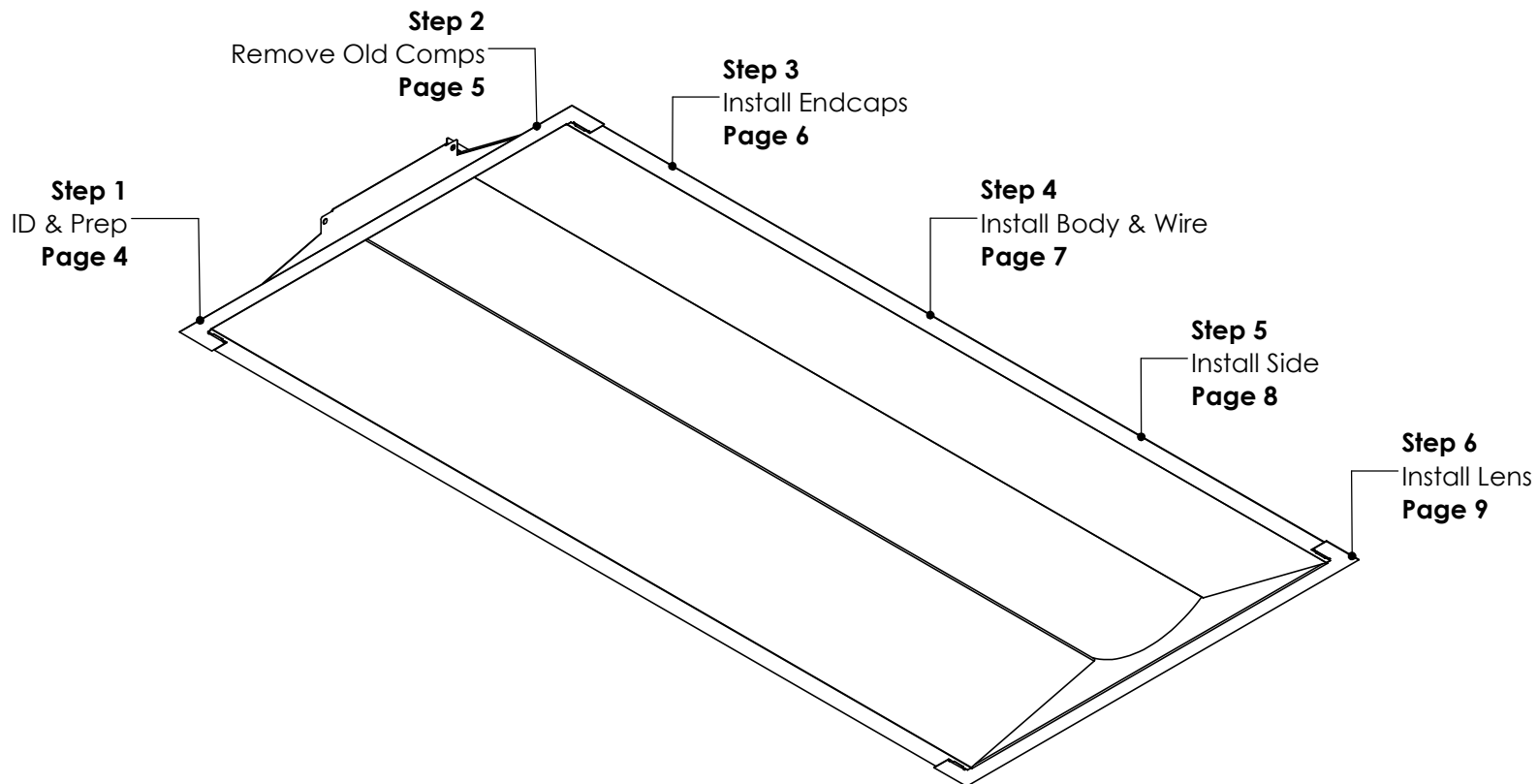


RKG-Retrofit Installation Instructions

Overview

WARNINGS

- This product must be installed in accordance with all applicable codes by a person familiar with the product.
- Each fixture must be **properly supported** during install.
- **DO NOT** join fixtures on the floor prior to lifting, or damage will occur.
- **Before beginning installation**, review our complete list of warnings by visiting www.saylite.com/warnings.



Your particular build may vary.

2023© Saylite | 2055 Luna Road, Suite 142, Carrollton, TX 75006 | www.saylite.com

WARNINGS

- THIS PRODUCT MUST BE INSTALLED IN ACCORDANCE WITH THE APPLICABLE INSTALLATION CODE BY A PERSON FAMILIAR WITH THE CONSTRUCTION AND OPERATION OF THE PRODUCT AND THE HAZARDS INVOLVED
- WARNING - RISK OF FIRE OR ELECTRIC SHOCK. INSTALLATION OF THIS RETROFIT KIT REQUIRES A PERSON FAMILIAR WITH THE CONSTRUCTION AND OPERATION OF THE LUMINAIRE'S ELECTRICAL SYSTEM AND THE HAZARD INVOLVED. IF NOT QUALIFIED, DO NOT ATTEMPT INSTALLATION. CONTACT A QUALIFIED ELECTRICIAN.
- WARNING - RISK OF FIRE OR ELECTRIC SHOCK. INSTALL THIS KIT ONLY IN THE LUMINAIRE THAT HAS THE CONSTRUCTION FEATURES AND DIMENSIONS SHOWN IN THE PHOTOGRAPHS AND/OR DRAWINGS AND WHERE THE INPUT RATING OF THE RETROFIT KIT DOES NOT EXCEED THE INPUT RATING OF THE LUMINAIRE.
- DO NOT MAKE OR ALTER ANY OPEN HOLES IN AN ENCLOSURE OF WIRING OR ELECTRICAL COMPONENTS DURING KIT INSTALLATION.
- WARNING - TO PREVENT WIRING DAMAGE OR ABRASION, DO NOT EXPOSE WIRING TO EDGES OF SHEET METAL OR OTHER SHARP OBJECTS.
- MINIMUM HOUSING DEPTH IS 4".
- **MIN 90°C SUPPLY CONDUCTORS**

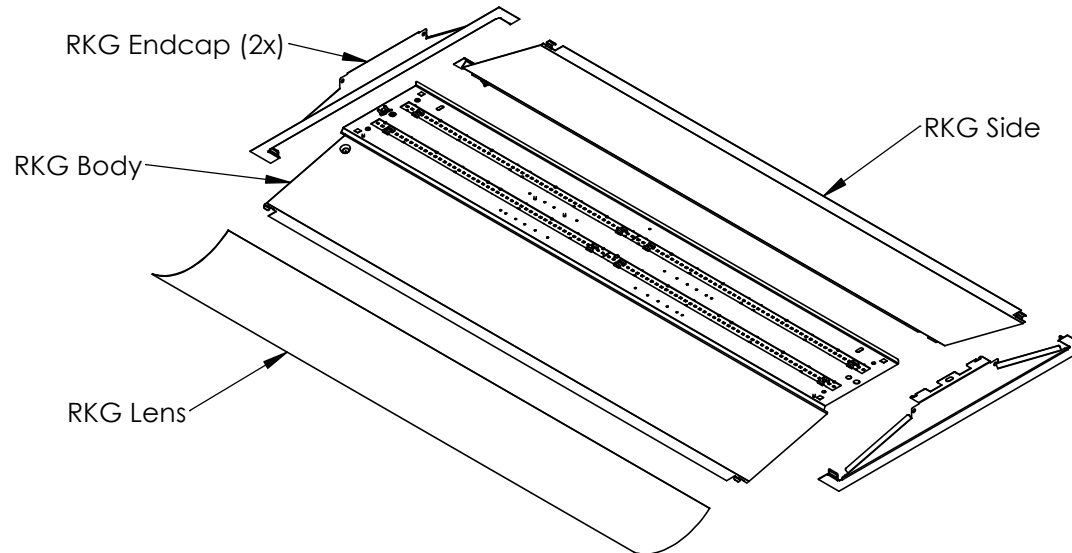
AVERTISSEMENTS

- CE PRODUIT DOIT ÊTRE INSTALLÉ SELON LE CODE D'INSTALLATION PERTINENT, PAR UNE PERSONNE QUI CONNAÎT BIEN LE PRODUIT ET SON FONCTIONNEMENT AINSI QUE LES RISQUES INHÉRENTS
- AVERTISSEMENT - RISQUE D'INCENDIE OU DE CHOC ÉLECTRIQUE. L'INSTALLATION DE CE NÉCESSAIRE DE MODERNISATION EXIGE UNE PERSONNE FAMILIÈRE AVEC LA CONSTRUCTION ET LE FONCTIONNEMENT DU SYSTÈME ÉLECTRIQUE DU LUMINAIRE ET DES RISQUES ASSOCIÉS. TOUTE PERSONNE QUI N'EST PAS QUALIFIÉE NE DOIT FAIRE AUCUNE TENTATIVE D'INSTALLATION ET DOIT CONTACTER UN ÉLECTRICIEN QUALIFIÉ.
- AVERTISSEMENT - RISQUE D'INCENDIE OU DE CHOC ÉLECTRIQUE. N'INSTALLER CE NÉCESSAIRE QUE DANS LE LUMINAIRE DONT LES CARACTÉRISTIQUES DE CONSTRUCTION ET LES DIMENSIONS SONT CONFORME À CELLES ILLUSTRÉES DANS LES PHOTOS ET/OU LES DESSINS ET DONT LA PUISSANCE D'ENTRÉE NOMINALE DU NÉCESSAIRE DE MODERNISATION NE DÉPASSE PAS CELLE DU LUMINAIRE.
- IL EST INTERDIT DE FAIRE OU DE MODIFIER UNE OUVERTURE DANS UN BOÎTIER DE CÂBLAGE OU DE COMPOSANTS ÉLECTRIQUES AU COURS DE L'INSTALLATION DU NÉCESSAIRE.
- AVERTISSEMENT - AFIN DE PRÉVENIR L'ENDOMMAGEMENT OU L'ABRASION DES CÂBLES, ÉVITER TOUT CONTACT ENTRE CES DERNIERS ET LE BORD D'UN OBJET TRANCHANT TEL QU'UNE TÔLE
- LA PROFONDEUR MINIMALE DU BOITIER EST DE QUATRE POUCES.
- **LES FILS D'ALIMENTATION 90°C MIN**

RKG-Retrofit Installation Instructions

WARNINGS

INCLUDED COMPONENTS



RKG-Retrofit Installation Instructions

Compatible Housings



List of Compatible Housings by Fixture Size:

2X2 Fixtures

Approved Housings	Pre-Approved Equivalents
Columbia Lighting lensed 4PS22	A.L.P. EL-2x2-20-* (*= # of lamps)
Columbia Lighting P222 9 cell parabolic	BJ Take BFR-2x2-L15
Lithonia 2GT8 lensed 2X2	Columbia Lighting JT822
Lithonia 2PM3 9 cell 2x2 parabolic	Juno Lighting Group S2x2BL
Lithonia 2SP8 lensed 2X2	LSI LA/FLA 2x2
	Mobern Lighting RG22-2U32XMV
	Monmouth Lighting Corp RF24
	Saylite 131A22L
	Simkar Corporation TY Lensed Troffer 2x2
	US Energy Sciences YTR-02-5
	Visioneering Corp. ERCTB 2x2

1X4 Fixtures

Approved Housings	Pre-Approved Equivalents
Columbia Lighting lensed 4PS14	A.L.P. EF-1x4-2L-23GA
Lithonia GT8 lensed 1X4	BJ Take BFR-1x4-L15
	Columbia Lighting ST814/232G/FSA12/EU
	Juno Lighting Group S1x4BL
	Lithonia 4' RR Channel
	Mobern Lighting RG14-232MV
	Phillips Day-Brite 1TG8xx-01
	Saylite 131A14L
	Simkar TY124-232-B11-UNV
	Visioneering Corp. ERCTB 1x4

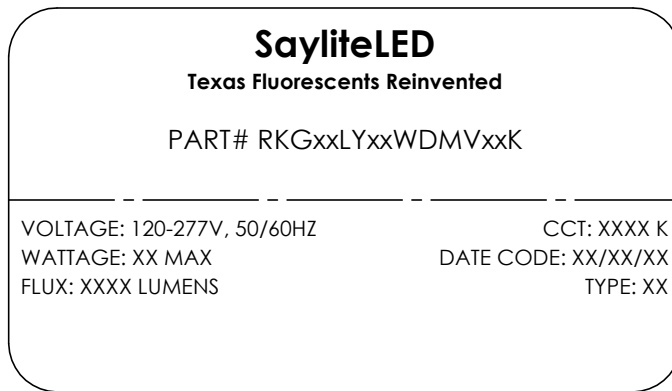
2X4 Fixtures

Columbia Lighting lensed 4PS24	A.L.P. EL-2x4-23-* (*= # of lamps)
Columbia Lighting P224 12 cell parabolic	BJ Take BFR-2x4-L15
Lithonia 2GT8 lensed 2X4	Columbia Lighting 4PS24
Lithonia 2PM3N 12 cell 2x4 parabolic	Columbia Lighting JT824
	Juno Lighting Group S2x4BL
	Lithonia 2SP8 G 2 32 A12 XXXX XX XXXX
	LSI GA 2x4
	Mobern Lighting RG24-232MV
	Monmouth Lighting Corp DCP 22
	Phillips Day-Brite 2SPG232-FS01-UNV-1/2EB
	Saylite 131A24L
	Simkar Corporation TY Lensed Troffer 2x4
	US Energy Sciences YTR-04-7
	Visioneering Corp. ERCTB 2x4

RKG-Retrofit Installation Instructions

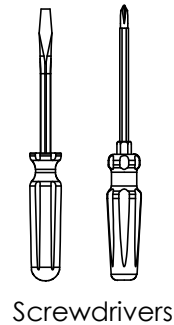
Step 1 - Identification and Preparation

A. Identify Fixtures



- Use labels found on the box and inside the fixture bodies to identify bodies.
- **NOTE:** Locations of labels can vary.
- Remove all fixtures from their boxes.
- Organize fixtures based on their labels at the install location.

B. Tools Needed



- Always use proper safety equipment when installing fixtures.
- Tools shown are recommended for standard install. Tools needed may vary based on actual install location conditions.

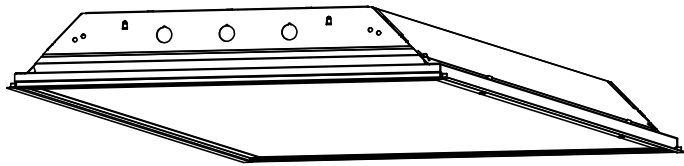
Kitted Hardware

- Saylite has provided the items listed here, with their Saylite part numbers listed. These items can be found in separate boxes shipped with the fixture.
- Ensure all parts are accounted for and set them aside until needed.
- Any additional hardware needed for this installation will be provided by others.

RKG-Retrofit Installation Instructions

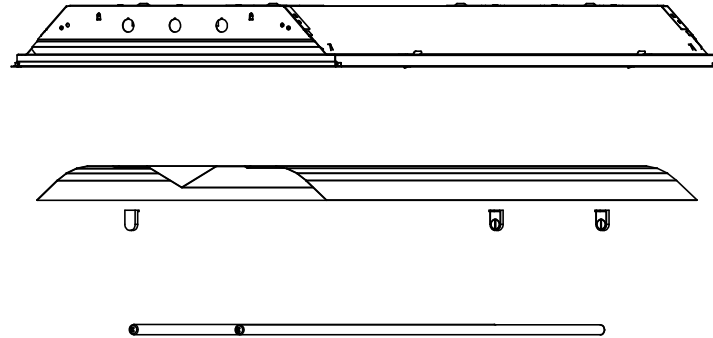
Step 2 - Remove Obsolete Components

A. Disconnect Power



- Shut off power supply to fixture before disconnecting any wiring components.
- Disconnect power feed from fixture according to all local, state and national codes.

B. Remove Old Components

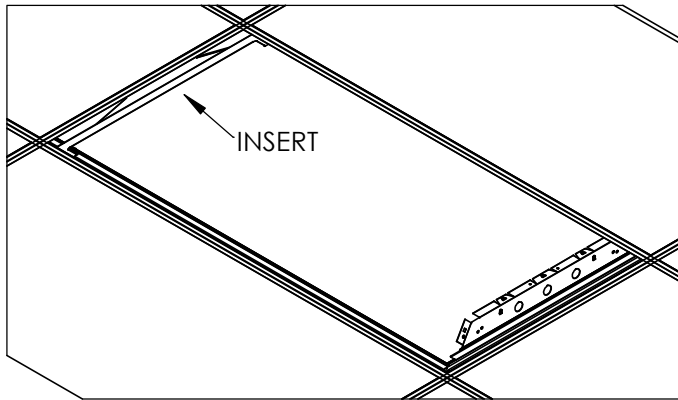


- Remove old components from the fixture, this includes the lens, bulbs/LED gear trays, sockets, socket bars, ballasts and the reflector.

RKG-Retrofit Installation Instructions

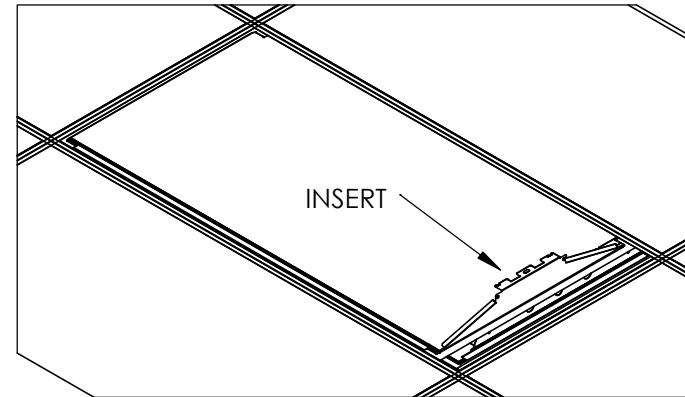
Step 3 - Install Retrofit Endcaps

A. Install First Endcap



- Insert the first retrofit endcap into the fixture shell. Slide the retrofit endcap up against the inside of the grid rail.
- The flange of the retrofit endcap should rest under the fixture shell.

B. Install Second Endcap



- Insert the second retrofit endcap into the fixture shell. Slide the retrofit endcap up against the inside of the grid rail.
- The flange of the retrofit endcap should rest under the fixture shell.

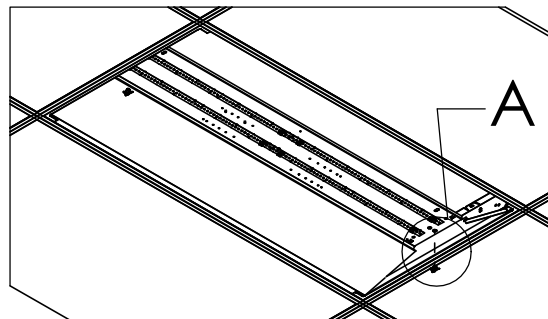
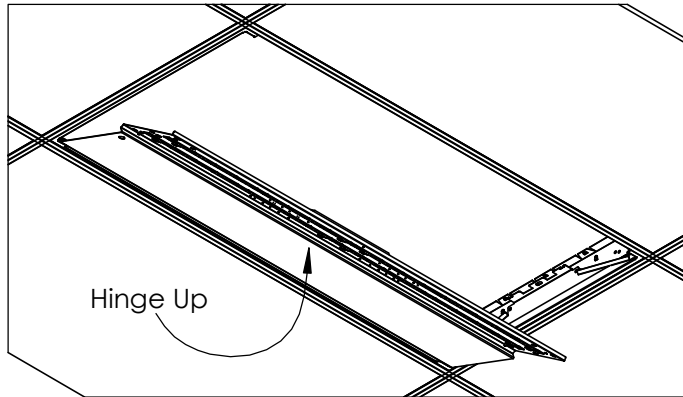
RKG-Retrofit Installation Instructions

Step 4 - Install RKG Body & Wire

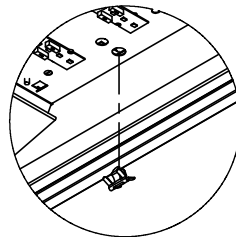


Texas Fluorescents Reinvented

A. Install Body Into Endcaps

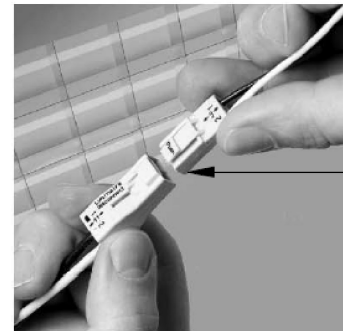


DETAIL A
SCALE 1 : 6



- Install the RKG body to the fixture.
- Insert the hooks of the RKG body to the loops on the retrofit endcaps, then hinge the RKG body upward into the fixture.
- Prior to securing the RKG body with provided quarter turns, tech screw the safety cables located on the back of the RKG body to the fixture shell.
- Use (2) provided quarter turns to secure the RKG body to the installed retrofit endcaps.

B. Connect Wiring



WIRING LEGEND		
BLACK	HOT	Line Voltage
WHITE	NEUTRAL	Line Voltage
GREEN	GROUND	
GRAY	DIMMING	0-10V DC
VIOLET	DIMMING	0-10V DC

- Wire each fixture to the incoming power supply using the provided quick disconnect clip as shown.
- For dimming option, refer to wiring legend above.
- Use UL approved connectors only. Follow all local, state and national codes.
- Push connected wiring above the body and tuck away to prevent interference with installing RKG side.

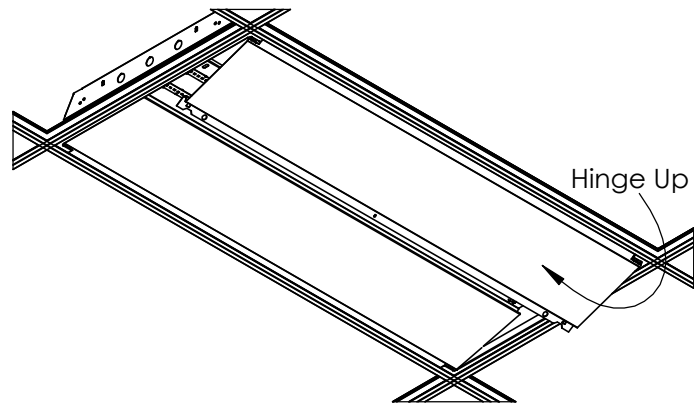
RKG-Retrofit Installation Instructions

Step 5 - Install RKG Side



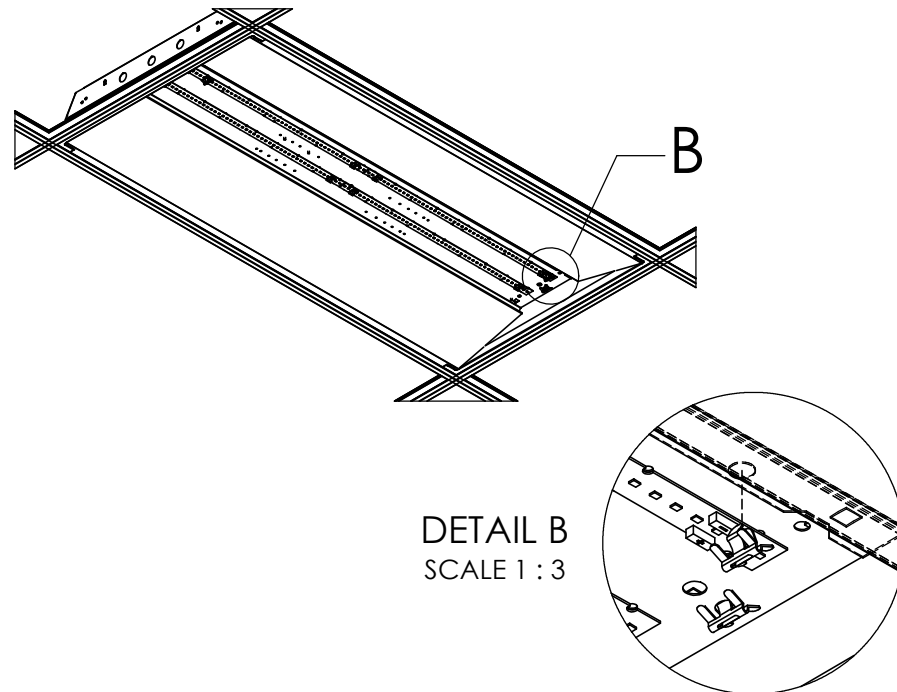
Texas Fluorescents Reinvented

A. Hinge Side into Endcaps



- Install the RKG side to the fixture.
- Insert the hooks of the RKG side to the loops on the retrofit endcaps.
- Hinge the RKG side upward into the fixture.

B. Secure Side to Body

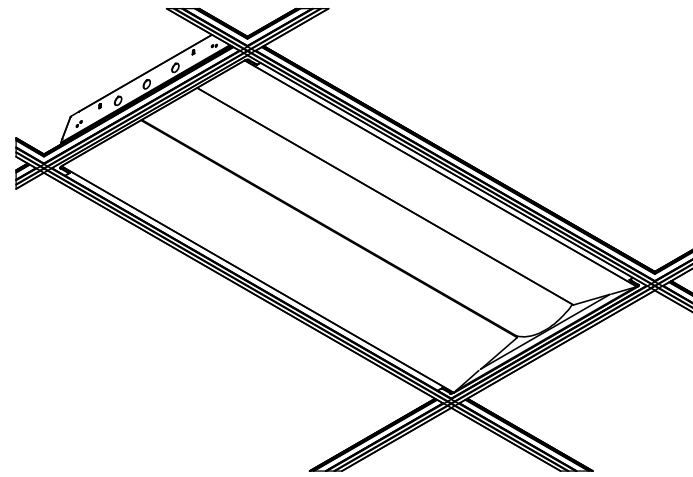
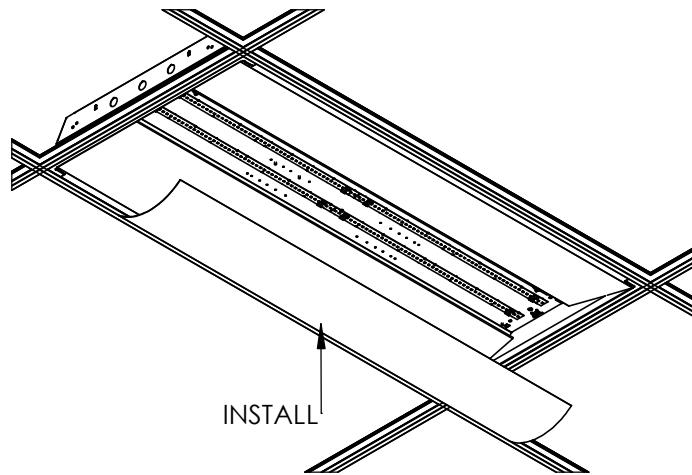


- Use (2) provided quarter turns to secure the RKG side to the installed RKG body.

RKG-Retrofit Installation Instructions

Step 6 - Install Lens

A. Install Lens



- Install the lens to the fixture.
- Slide one side of the lens into the fixture, then gently bow the lens into the main channel of the retrofit kit.