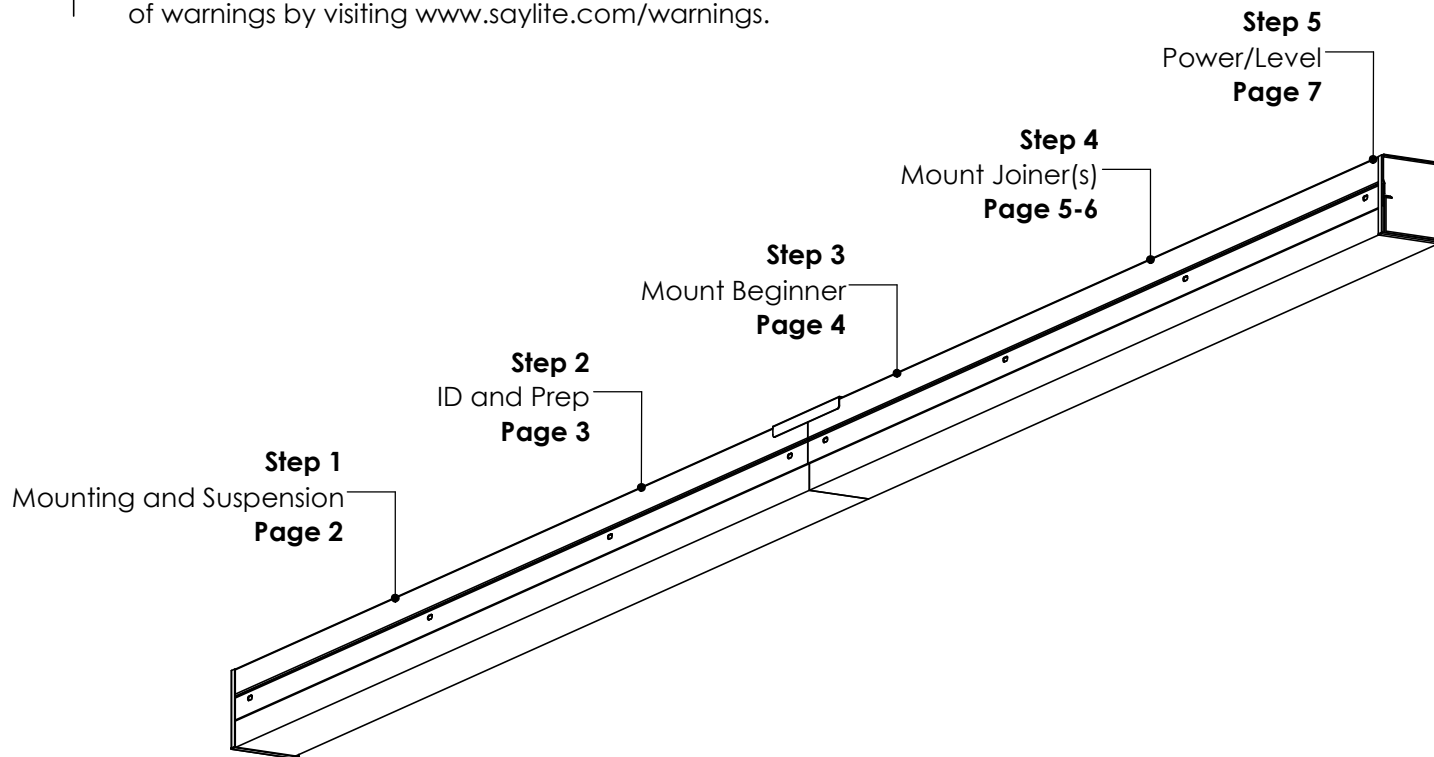


MAX-Continuous Run Installation Instructions

Overview

WARNINGS

- This product must be installed in accordance with all applicable codes by a person familiar with the product.
- Each fixture must be **properly supported** during install.
- **DO NOT** join fixtures on the floor prior to lifting, or damage will occur.
- **Before beginning installation**, review our complete list of warnings by visiting www.saylite.com/warnings.



Your particular build may vary.

2020© Saylite | 2055 Luna road, Suite 142, Carrollton, Texas 75006 | www.saylite.com

MAX-Continuous Run Installation Instructions

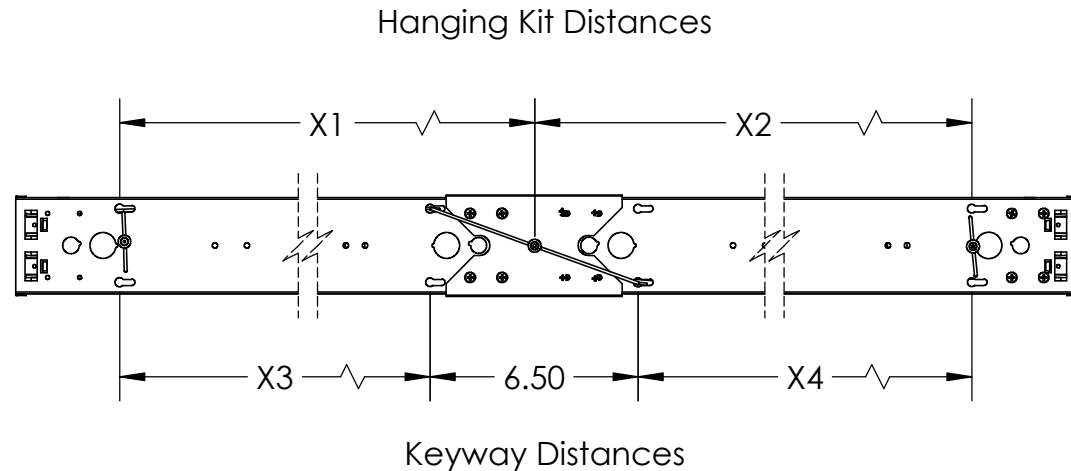
Step 1 - Mounting and Suspension

Mounting

Drywall or other hard surfaces - GT-310/315 Hanging Kit*

- Install hanging kits at suspension locations.
- Ensure hanging kits are secure.
- Prepare fixture for mounting.

Other hard surfaces include: wood, sheet metal panels, steel beams, concrete or masonry. Use hardware appropriate for each surface and material type.



Suspension Locations

X = Suspension Dimensions

Refer to Assembly Drawings and building plans to determine exact mounting, suspension points, and power feed locations.

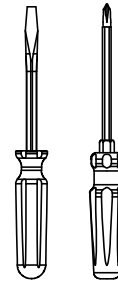
MAX-Continuous Run Installation Instructions

Step 2 - Identification and Preparation

A. Identify Fixtures

SayliteLED	
PART# MAX2FRxxLQxxWxxxxLDMVxxKxx-Xxx PART# MAX3FRxxLBxxWxxxxLDMVxxKxx-Xxx	
VOLTAGE: 120-277V, 50/60HZ WATTAGE: XX MAX FLUX: XXXX LUMENS	CCT: XXXX DATE CODE: XX/XX/XX TYPE: XX

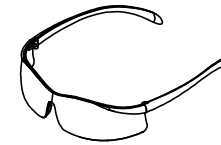
B. Tools Needed



Screwdrivers



Pliers



Safety Glasses

- Use labels found on the box and inside the fixture bodies to identify bodies.
- **NOTE:** Locations of labels can vary.
- Remove all fixtures from their boxes.
- Organize fixtures based on their labels at the install location.

- Always use proper safety equipment when installing fixtures.
- Tools shown are recommended for standard install. Tools needed may vary based on actual install location conditions.

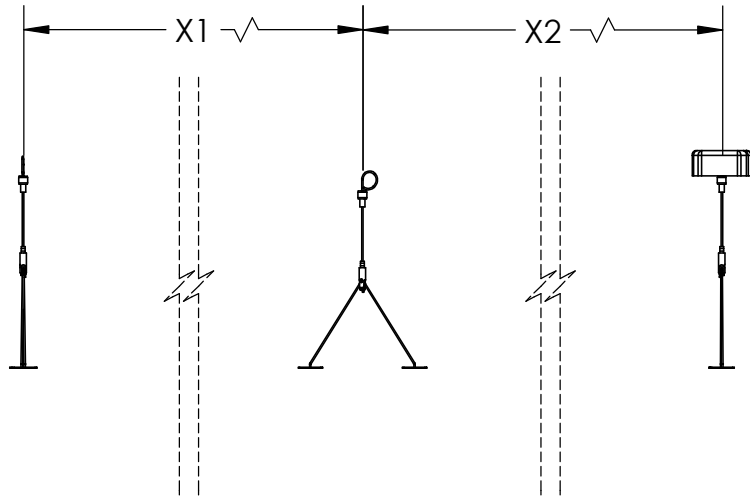
Kitted Hardware

- Saylite has provided the items listed here, with their Saylite part numbers listed. These items can be found in separate boxes shipped with the fixture.
- Ensure all parts are accounted for and set them aside until needed.
- Any additional hardware needed for this installation will be provided by others.

MAX-Continuous Run Installation Instructions

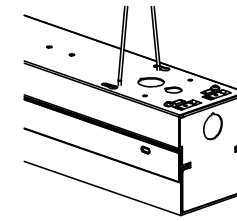
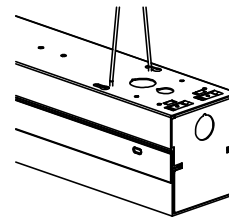
Step 3 - Mount the Beginner Fixture

A. Install Hanging Kits



- Install the hanging kits to the ceiling at the desired mounting locations.
- Ensure that hanging kits are properly secured.
- Refer to hanging kit installation guide for more information.

B. Hang the Beginner



INSTALLED

- Insert the paddles to the keyways located on the back side of the fixture.
- Rotate the paddles vertically to slide them into the keyways.

MAX-Continuous Run Installation Instructions

Step 4 - Mount Joining Fixture(s)

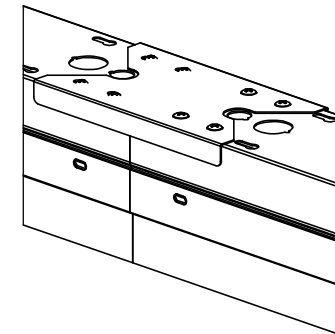
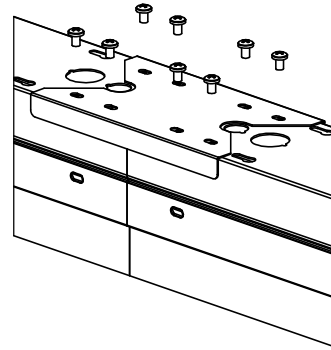
A. Connect Wiring



WIRING LEGEND		
BLACK	HOT	Line Voltage
WHITE	NEUTRAL	Line Voltage
GREEN	GROUND	
GRAY	DIMMING	0-10V DC
VIOLET	DIMMING	0-10V DC

- Connect the wiring between fixtures using the provided wiring harness.
- Ensure wire colors between fixtures are matching before connecting harness.
- Refer to wiring legend above for more information.

B. Secure to Joiner Bracket



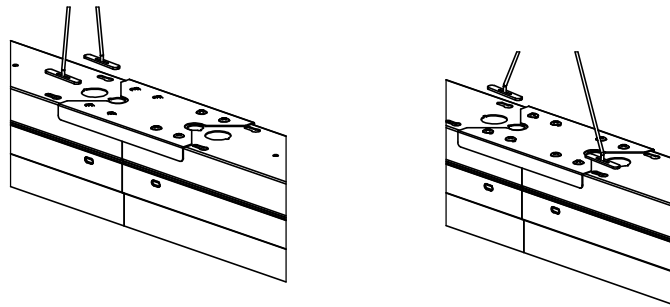
SECURED

- Use the provided #8 screws to secure both fixtures to the joiner bracket.
- Ensure screws are tight and bracket has aligned both fixtures before proceeding.

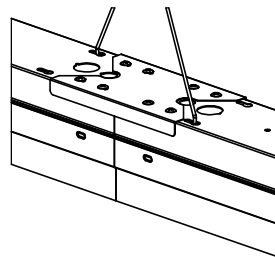
MAX-Continuous Run Installation Instructions

Step 4 - Mount the Joiner Fixture(s) (Cont'd)

C. Hang Joined Fixtures



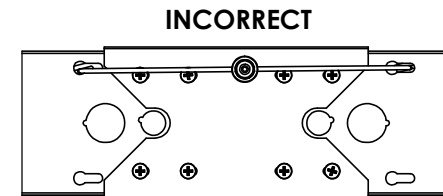
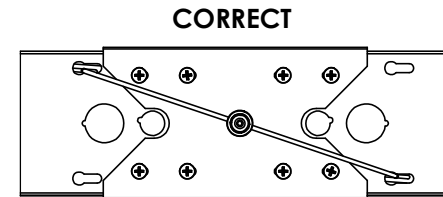
ORIENT PADDLES



INSTALLED

- Remove the paddles from the previous fixture and orient the paddles diagonally across the joiner bracket.
- Install the paddles to the correct keyways to hang the joined fixtures.

D. Ensure Correct Orientation

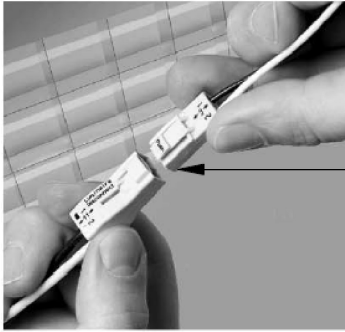


- Refer to the diagram above when hanging joined fixtures.
- Ensure paddles are inserted to keyways that are diagonally across from one another.
- Repeat Step 4 as needed to install remaining fixtures

MAX-Continuous Run Installation Instructions

Step 5 - Power and Level Fixtures

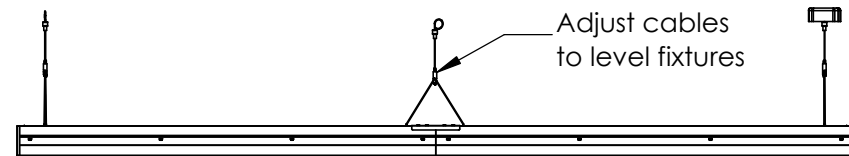
A. Power the Fixtures



WIRING LEGEND		
BLACK	HOT	Line Voltage
WHITE	NEUTRAL	Line Voltage
GREEN	GROUND	
GRAY	DIMMING	0-10V DC
VIOLET	DIMMING	0-10V DC

- Wire fixtures to the incoming power supply using the provided quick disconnect clip as shown.
- For dimming option, refer to wiring legend above.
- Use UL approved connectors only. Follow all local, state and national codes.

B. Level the Fixtures



- Adjust the hanging cables to ensure the fixture is level if needed.
- Snip excess cable.
- Fixture installation is now complete.